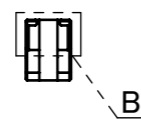
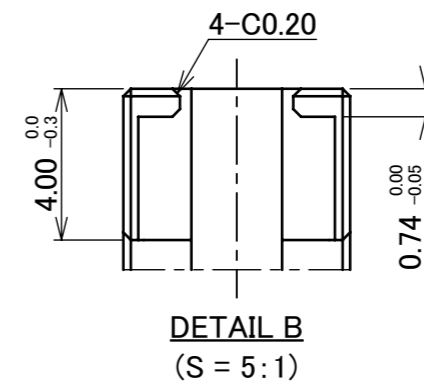
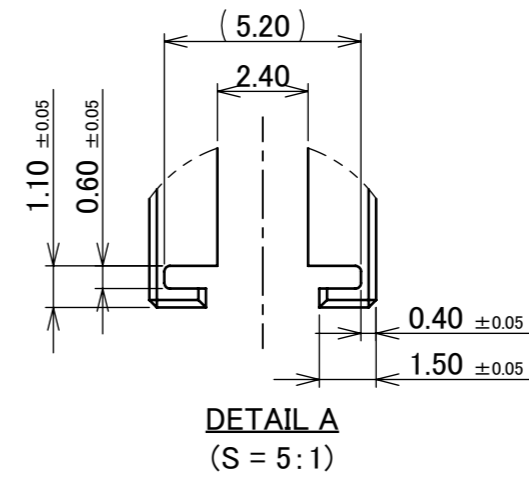
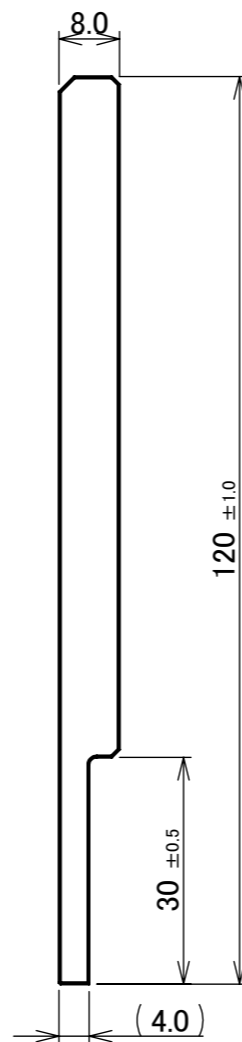
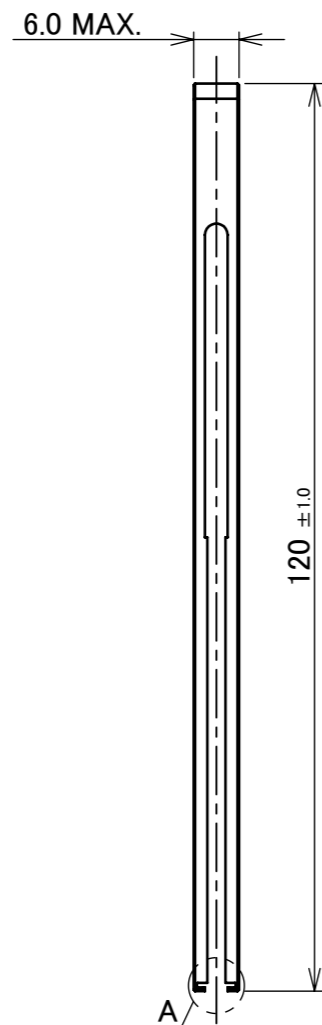


PART No.

91166-0001



NOTES.

1. MATERIAL : SUS304
2. INSTRUCTION MANUAL: DOCUMENT No. HIM-19002
3. RoHS COMPLIANT: THIS PRODUCT IS COMPLIANT WITH RoHS DIRECTIVE.
4. HALOGEN FREE: THIS PRODUCT IS CONFORMED TO IEC 61249-2-21.

					ANGLE	±2°	6 OVER 30 MAX.	±0.3	PROJECTION ⊕	SERIES No. R0	CUSTOMER COPY		
					6 MAX.	±0.2	30 OVER 120 MAX.	±0.5					
					GENERAL TOLERANCE.				TITLE MHF® 4L LK MATING AND UNMATING TWEEZER	SCALE	I-PEX		
					DWG.	DATE				1:1			
					S.Taguchi			2021/08/10		UNIT			
					CHK.	-			mm				
0	Z210889	S.T	2021/08/10	APP.					DWG. No.	91166	SIZE	SHEET	REV.
REV.	ECN	BY	DATE	APP.	REVISION RECORD				M.Takemoto	91166	A3	1/1	0