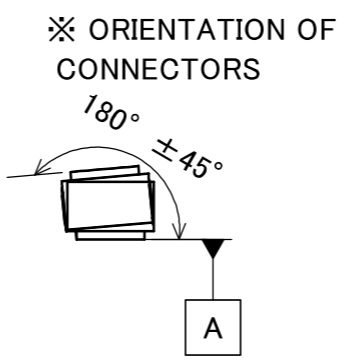
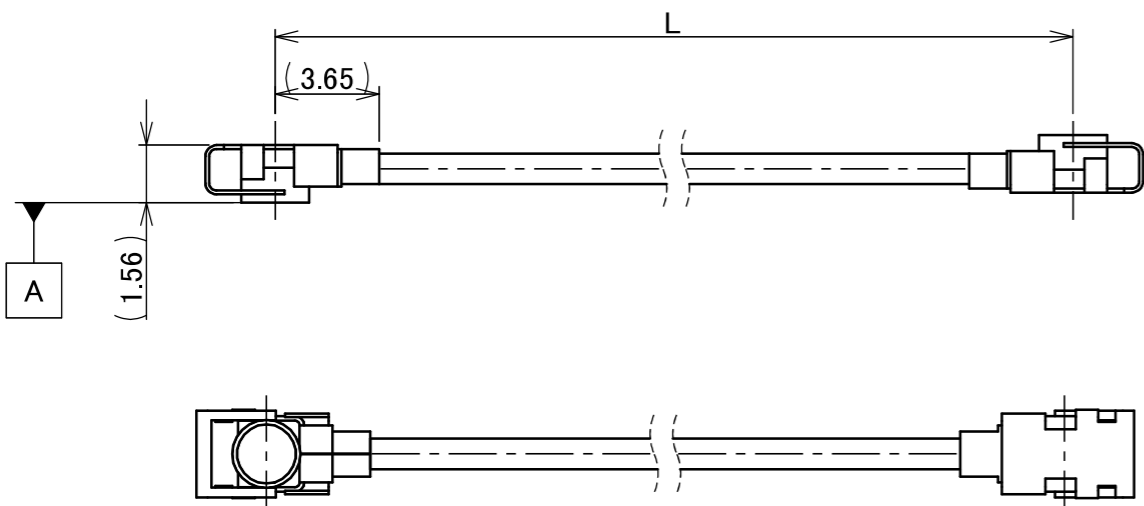
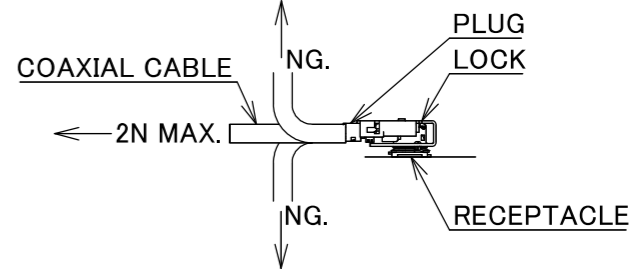
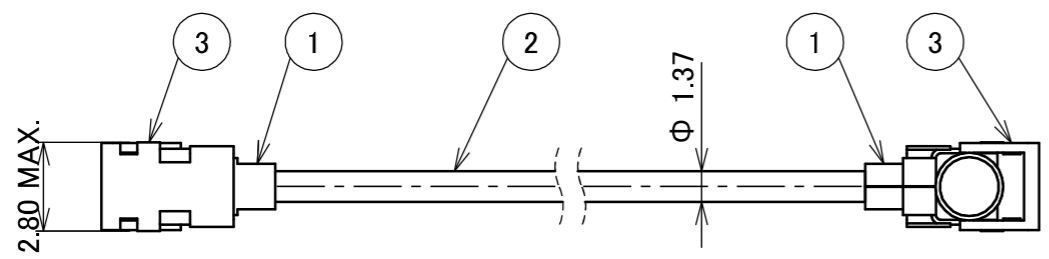


PART NO.	L
8-25-0981	400.00±3.0 mm

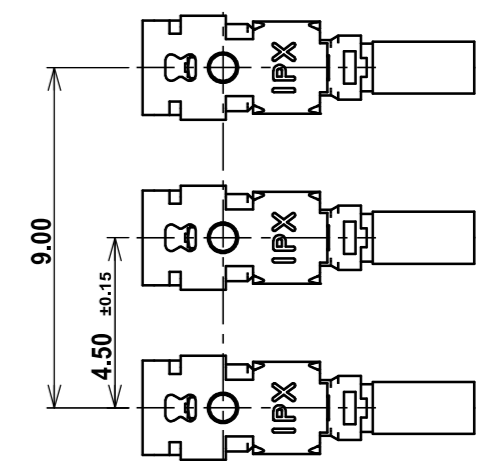
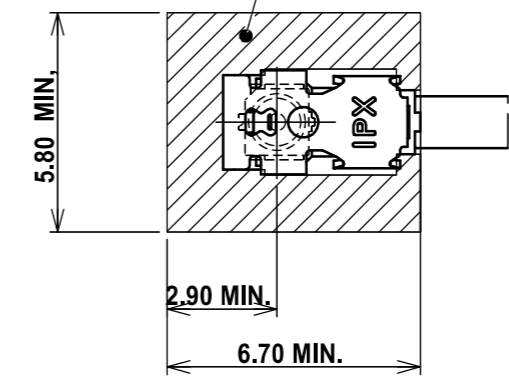
PLEASE CONTACT I-PEX FOR REQUESTS OTHER THAN THIS SPECIFICATIONS.  
PLEASE NOTE IF SPECIFICATIONS CHANGE, PART NO. WILL ALSO CHANGE.

- NOTES
1. PACKING : PLASTIC BAG
  2. PERMISSIBLE LOAD ON THE CABLE AFTER MATING
  3. CABLE CRIMP STRENGTH : 15N MIN.
  4. TO OPERATE LOCK PART FOLLOW I-PEX INSTRUCTION MANUAL HIM-19002.
  5. DO NOT ROTATE THE PLUG IN THE MATING CONDITION.



**MULTIPLE CONNECTORS LAYOUT**

COMPONENTS PLACEMENT PROHIBITED AREA  
REQUIRED AREA FOR RECOMMENDED JIG  
TO OPERATE MHF 4L LK HARNESS IN  
4.50±0.15 mm PITCH (M.2 PITCH) SMOOTHLY.  
JIG PART NUMBER: 91493-0001

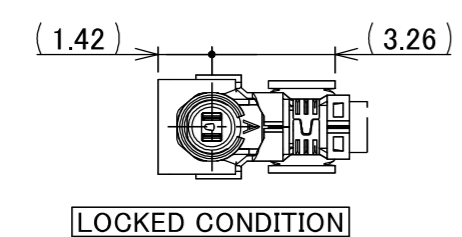
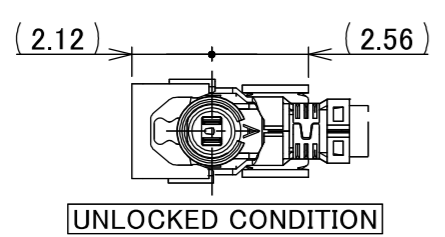


**MATING AND LOCK CONDITION WITH MHF 4L LK HARNESS NARROW PITCH**

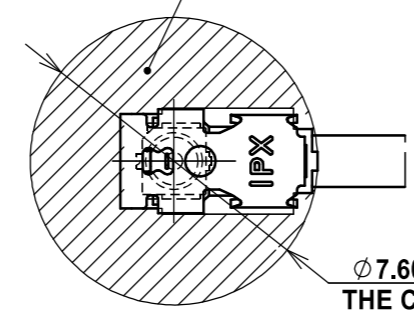
**MHF 4L LK HARNESS UNLOCK CONDITION NARROW PITCH DIMENSIONS**

**SINGLE CONNECTOR LAYOUT**

COMPONENTS PLACEMENT PROHIBITED AREA FOR PLUG 360° ROTATION AND UNMATING AND LOCK  
JIG PART NUMBER: 91166-0001, 91493-0001



DO NOT MATE WITH RECEPTACLE UNDER THIS LOCKED CONDITION.



**MATING AND LOCK CONDITION WITH MHF 4L LK HARNESS**

3	LOCK PART	2	Ni PLATING
2	CABLE	1	AWG#30 Φ 1.37, BRAIDED SHIELD , BLACK
1	CONNECTOR-1, 2	2	MHF 4L Ni Top
NO.	DESCRIPTION	QTY	REMARK

REVISION RECORD					ANGLE	±2°	6 OVER 30 MAX.	±0.3	PROJECTION	SERIES No. H-250079D	CUSTOMER COPY		
0	ZH00399	Y.Ni	2026/02/04	-	6 MAX.	±0.2	30 OVER 120 MAX.	±0.5					
					GENERAL TOLERANCE.				TITLE MHF® 4L-4L CABLE137-2 +LK	SCALE X:1	UNIT mm	SHEET 1/1	REV. 0
REV.	ECN	BY	DATE	APP.	DWG.	DATE		DATE					
					Y.Nishimura	2026/02/04		2026/02/04	8-25-0981	A3	1/1	0	
					CHK.	T.Takuno							
					APP.	K.Yufu							



Confidential C

I-PEX Inc.

QKE-DFE06-02 REV.12