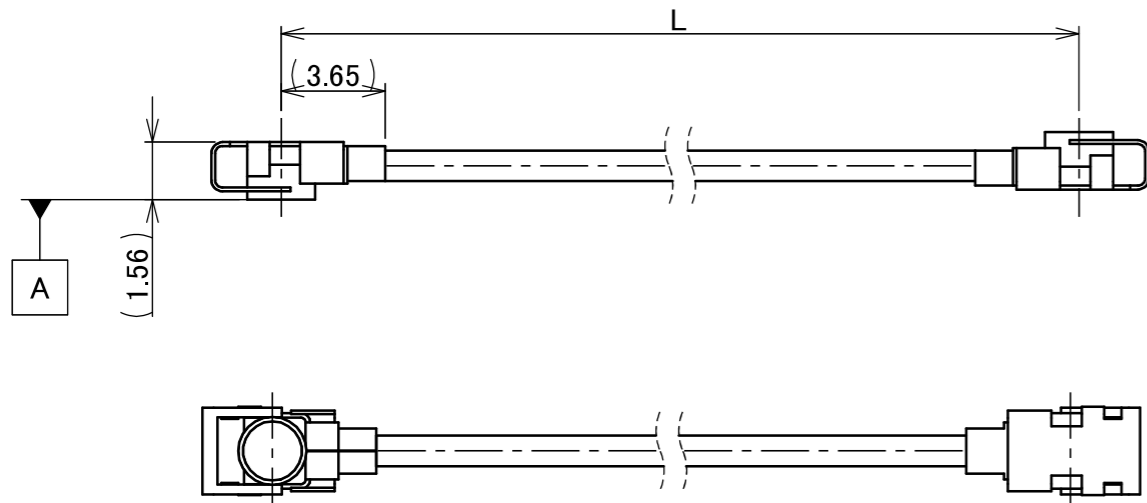
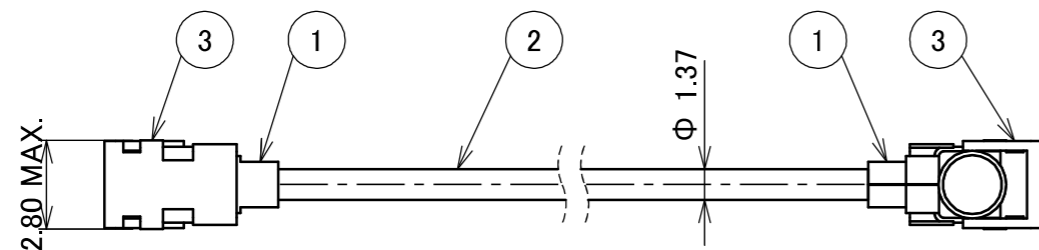
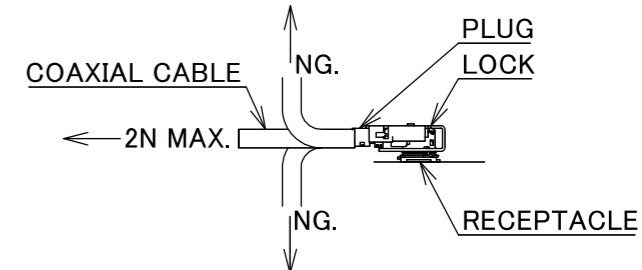


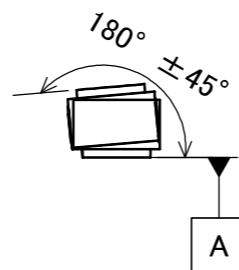
PART NO.	L
8-25-0980	300.00±3.0 mm

PLEASE CONTACT I-PEX FOR REQUESTS OTHER THAN THIS SPECIFICATIONS.
PLEASE NOTE IF SPECIFICATIONS CHANGE, PART NO. WILL ALSO CHANGE.

- NOTES
1. PACKING : PLASTIC BAG
 2. PERMISSIBLE LOAD ON THE CABLE AFTER MATING
 3. CABLE CRIMP STRENGTH : 15N MIN.
 4. TO OPERATE LOCK PART FOLLOW I-PEX INSTRUCTION MANUAL HIM-19002.
 5. DO NOT ROTATE THE PLUG IN THE MATING CONDITION.

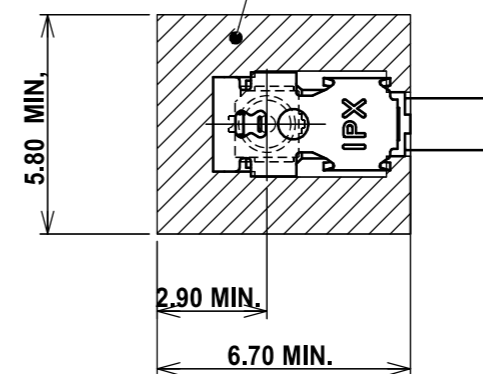


※ ORIENTATION OF CONNECTORS

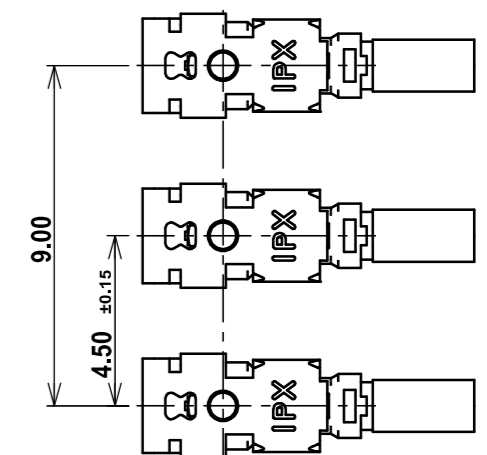


MULTIPLE CONNECTORS LAYOUT

COMPONENTS PLACEMENT PROHIBITED AREA
REQUIRED AREA FOR RECOMMENDED JIG
TO OPERATE MHF 4L LK HARNESS IN
4.50±0.15 mm PITCH (M.2 PITCH) SMOOTHLY.
JIG PART NUMBER: 91493-0001



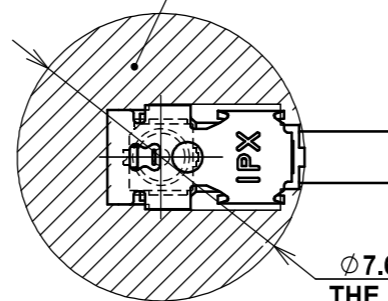
**MATING AND LOCK CONDITION
WITH MHF 4L LK HARNESS NARROW PITCH**



**MHF 4L LK HARNESS UNLOCK CONDITION
NARROW PITCH DIMENSIONS**

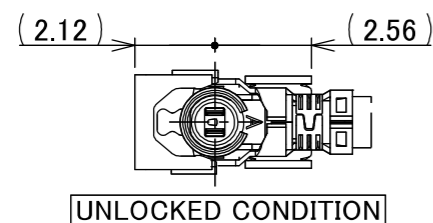
SINGLE CONNECTOR LAYOUT

COMPONENTS PLACEMENT PROHIBITED AREA
FOR PLUG 360° ROTATION AND UNMATING AND LOCK
JIG PART NUMBER: 91166-0001, 91493-0001

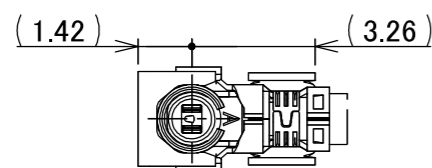


∅7.60 MIN.
THE CENTER OF THE CIRCLE MATCHES
THE CENTER OF RECEPTACLE.

**MATING AND LOCK CONDITION
WITH MHF 4L LK HARNESS**



UNLOCKED CONDITION



LOCKED CONDITION

DO NOT MATE WITH RECEPTACLE
UNDER THIS LOCKED CONDITION.

3	LOCK PART	2	Ni PLATING
2	CABLE	1	AWG#30 ∅ 1.37, BRAIDED SHIELD , BLACK
1	CONNECTOR-1, 2	2	MHF 4L Ni Top
NO.	DESCRIPTION	QTY	REMARK

					ANGLE	±2°	6 OVER 30 MAX.	±0.3	PROJECTION ⊕	SERIES No. H-250079C	CUSTOMER COPY		
						6 MAX.	±0.2	30 OVER 120 MAX.				±0.5	
					GENERAL TOLERANCE.					TITLE MHF® 4L-4L CABLE137-2 +LK	SCALE X:1 UNIT mm	I-PEX	
					DWG.	DATE							
					CHK.	T.Takuno							
0	ZH00399	Y.Ni	2026/02/04	-	APP.	K.Yufu		DWG. No.		8-25-0980	SIZE	SHEET	REV.
REVISION RECORD										8-25-0980	A3	1/1	0



Halogen Free



RoHS Compliant

Confidential C

I-PEX Inc.

QKE-DFE06-02 REV.12