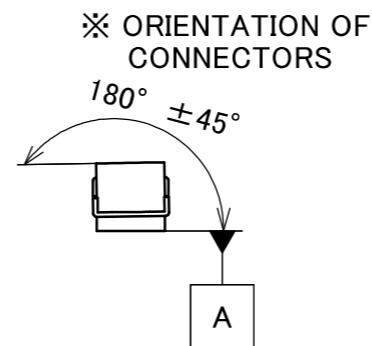
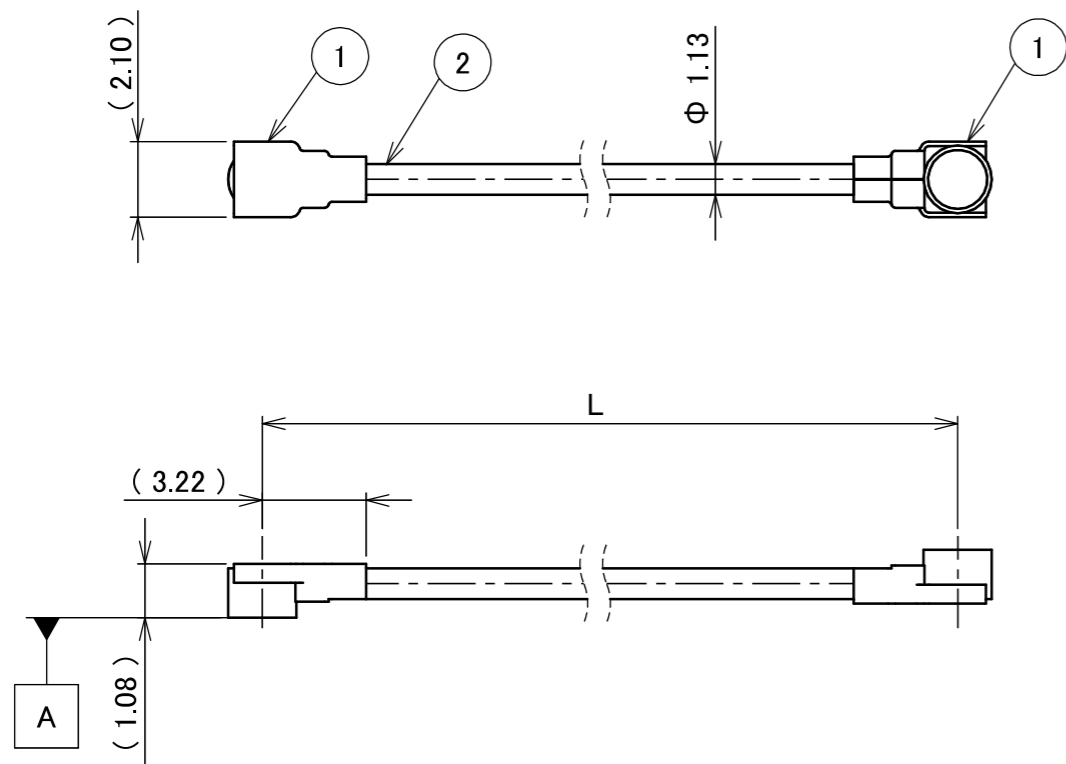


PART NO.	L
8-25-0951	400.00±3.0 mm

PLEASE CONTACT I-PEX FOR REQUESTS OTHER THAN THIS SPECIFICATIONS.
PLEASE NOTE IF SPECIFICATIONS CHANGE, PART NO. WILL ALSO CHANGE.



NOTES

1. SUGGESTIONS FOR MATING & UNMATING OPERATION.

1-1. MATING

MATE THE CONNECTOR VERTICALLY, ALIGNING THE MATING AXIS ON PLUG AND RECEPTACLE. DO NOT SLANT MATE.

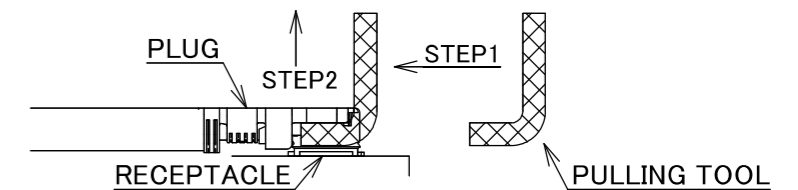
1-2. UNMATING

1-2-1.

UNMATING BY PULLING TOOL.

[P/N 90609-0001 (MHF 4L),]

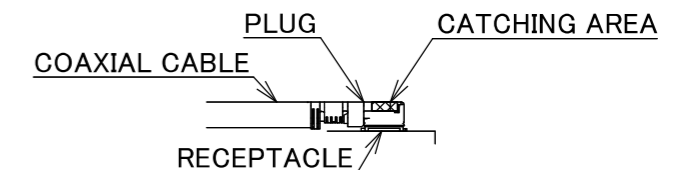
USE THE PULLING TOOL AS THE FOLLOWING, AND PULL PLUG TO VERTICAL DIRECTION AS DIRECTLY AS POSSIBLE.



1-2-2.

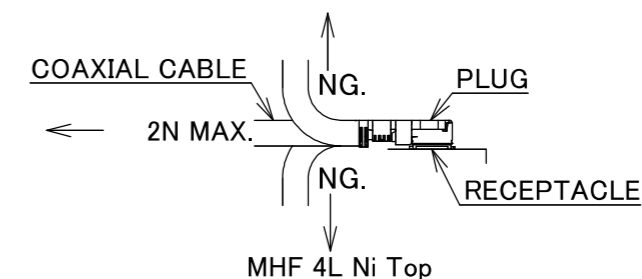
UNMATING DIRECTLY BY HAND.

HOLD THE CATCHING AREA ON PLUG AND PULL THE PLUG VERTICALLY.



2. PACKING : PLASTIC BAG

3. PERMISSIBLE LOAD ON THE CABLE AFTER MATING



4. CABLE CRIMP STRENGTH : 15N MIN.

2	CABLE	1	AWG#32 Φ 1.13, BRAIDED SHIELD , BLACK
1	CONNECTOR-1, 2	2	MHF 4L Ni Top
NO.	DESCRIPTION	QTY	REMARK

					ANGLE	±2°	6 OVER 30 MAX.	±0.3	PROJECTION	SERIES No.	CUSTOMER COPY		
					6 MAX.	±0.2	30 OVER 120 MAX.	±0.5		H-250077E	I-PEX		
					GENERAL TOLERANCE.				TITLE	SCALE	I-PEX		
					DWG.		DATE		MHF®	X:1	I-PEX		
					M.Toida		2026/01/30		4L-4L CABLE113-2	UNIT	I-PEX		
					CHK.					mm	I-PEX		
0	ZH00388	TOI	2026/01/30	-	T.Takuno					SIZE	SHEET	REV.	
REV.	ECN	BY	DATE	APP.	APP.				DWG. No.	8-25-0951	A3	1/1	0
REVISION RECORD													



Halogen Free



RoHS Compliant

Confidential C

I-PEX Inc.

QKE-DFE06-02 REV.12