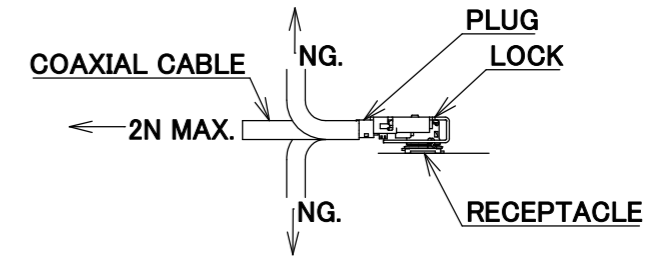


PART NO.  
8-21-0044

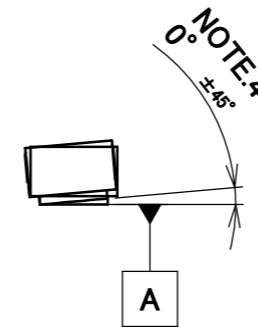
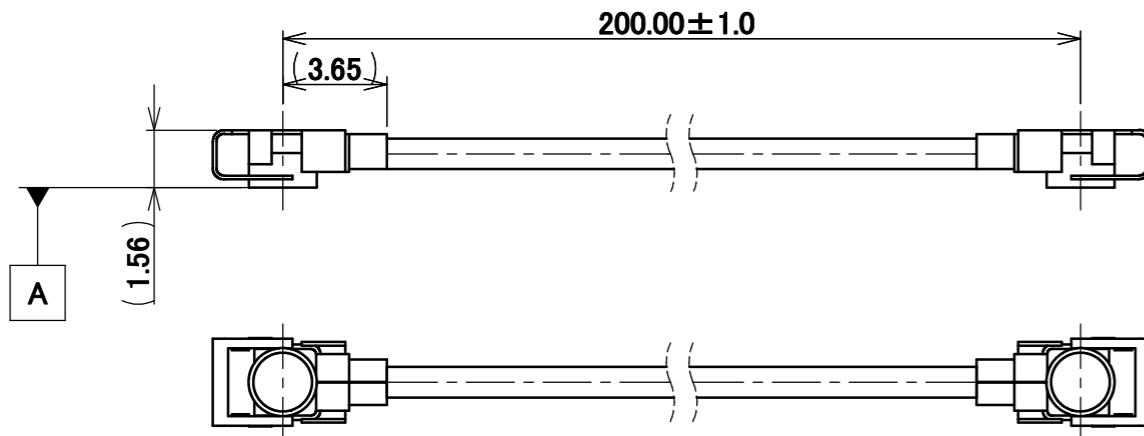
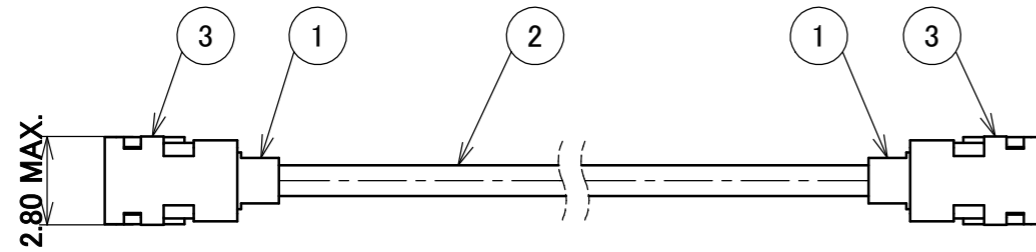
PLEASE CONTACT I-PEX FOR REQUESTS OTHER THAN THIS SPECIFICATIONS.  
PLEASE NOTE IF SPECIFICATIONS CHANGE, PART NO. WILL ALSO CHANGE.

NOTES

1. PACKING : PLASTIC BAG
2. PERMISSIBLE LOAD ON THE CABLE AFTER MATING

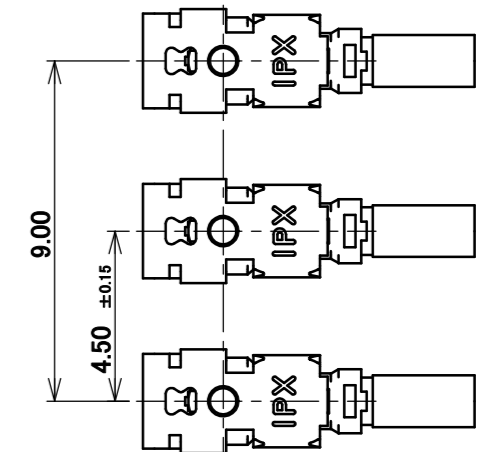
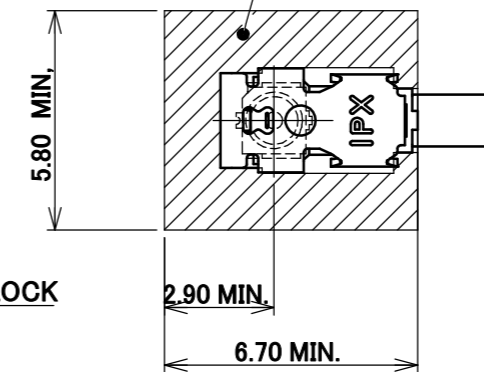


3. CABLE CRIMP STRENGTH : 15N MIN.
4. ORIENTATION OF CONNECTORS :  $0^\circ \pm 45^\circ$
5. TO OPERATE LOCK PART  
FOLLOW I-PEX INSTRUCTION MANUAL HIM-19002.
6. DO NOT ROTATE THE PLUG IN THE MATING CONDITION.



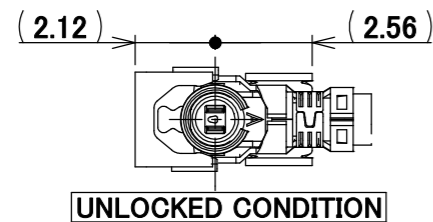
MULTIPLE CONNECTORS LAYOUT

COMPONENTS PLACEMENT PROHIBITED AREA  
REQUIRED AREA FOR RECOMMENDED JIG  
TO OPERATE MHF 4L LK HARNESS IN  
4.50 ± 0.15 mm PITCH (M.2 PITCH) SMOOTHLY.  
JIG PART NUMBER: 91493-0001

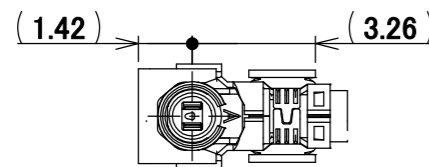


SINGLE CONNECTOR LAYOUT

COMPONENTS PLACEMENT PROHIBITED AREA  
FOR PLUG 360° ROTATION AND UNMATING AND LOCK  
JIG PART NUMBER: 91166-0001, 91493-0001

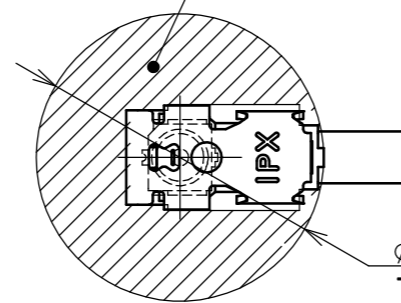


UNLOCKED CONDITION



LOCKED CONDITION

DO NOT MATE WITH RECEPTACLE  
UNDER THIS LOCKED CONDITION.



MATING AND LOCK CONDITION  
WITH MHF 4L LK HARNESS

MATING AND LOCK CONDITION  
WITH MHF 4L LK HARNESS NARROW PITCH

MHF 4L LK HARNESS UNLOCK CONDITION  
NARROW PITCH DIMENSIONS

3	LOCK PART	2	Ni PLATING
2	CABLE	1	AWG#30 $\Phi$ 1.37, BRAIDED SHIELD, BLACK
1	CONNECTOR-1, 2	2	MHF 4L Ni Top
NO.	DESCRIPTION	QTY	REMARK

REVISION RECORD					ANGLE	$\pm 2^\circ$	6 OVER 30 MAX.	$\pm 0.3$	PROJECTION	SERIES No.	CUSTOMER COPY		
0	Z231129	TOI	2023/09/22	APP.	6 MAX.	$\pm 0.2$	30 OVER 120 MAX.	$\pm 0.5$		H-230031B	I-PEX		
					GENERAL TOLERANCE.				TITLE		SCALE		
					DWG.	M.Toida			MHF <sup>®</sup>		X:1		
					DATE	2023/09/22			4L-4L CABLE137-1		UNIT		
					CHK.	K.Yufu			+LK		mm		
					APP.	Y.Hashimoto			DWG. No.		SIZE	SHEET	REV.
								8-21-0044		A3	1/1	0	



Halogen Free



RoHS Compliant

Confidential C

I-PEX Inc.

QKE-DFE06-02 REV.12