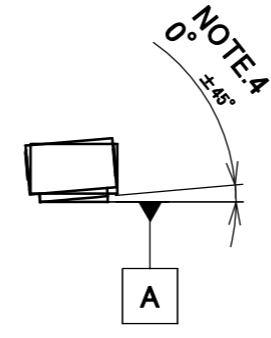
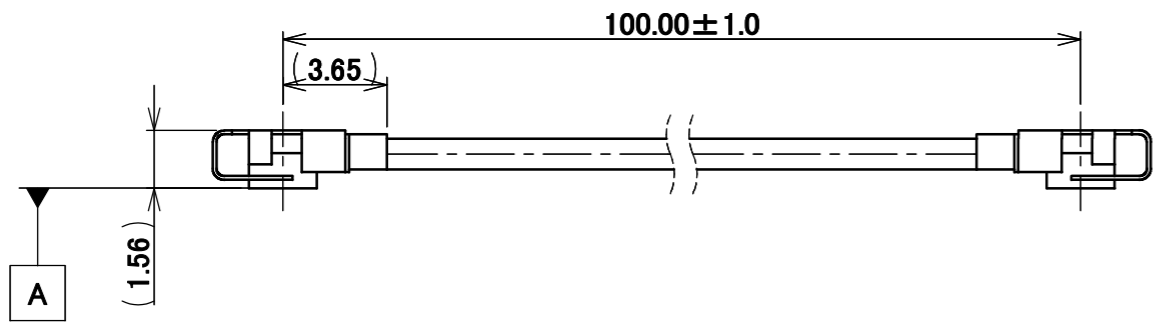
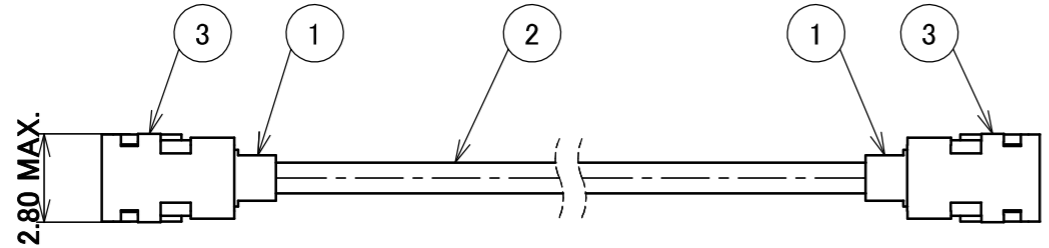
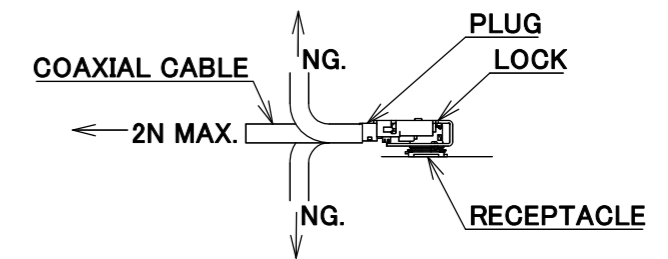


PART NO.
8-23-0110

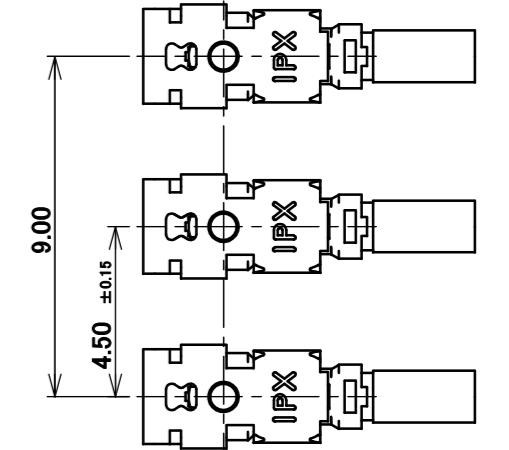
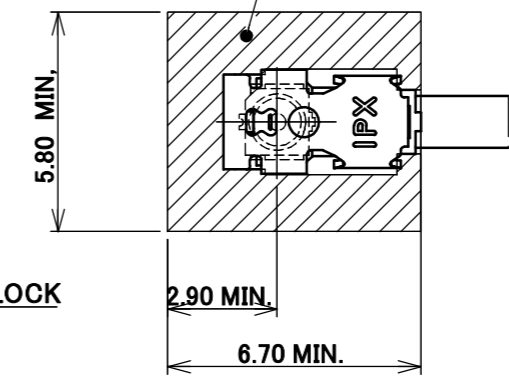
PLEASE CONTACT I-PEX FOR REQUESTS OTHER THAN THIS SPECIFICATIONS.
PLEASE NOTE IF SPECIFICATIONS CHANGE, PART NO. WILL ALSO CHANGE.

- NOTES
1. PACKING : PLASTIC BAG
 2. PERMISSIBLE LOAD ON THE CABLE AFTER MATING
 3. CABLE CRIMP STRENGTH : 15N MIN.
 4. ORIENTATION OF CONNECTORS : $0^\circ \pm 45^\circ$
 5. TO OPERATE LOCK PART
FOLLOW I-PEX INSTRUCTION MANUAL HIM-19002.
 6. DO NOT ROTATE THE PLUG IN THE MATING CONDITION.



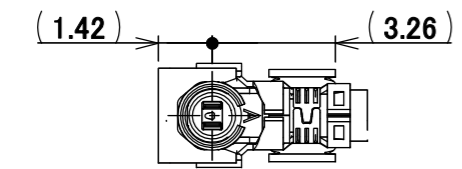
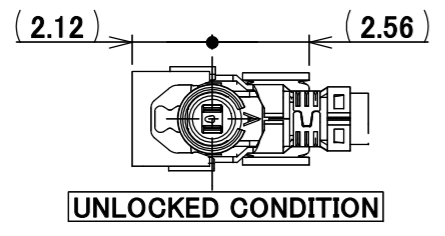
MULTIPLE CONNECTORS LAYOUT

COMPONENTS PLACEMENT PROHIBITED AREA
REQUIRED AREA FOR RECOMMENDED JIG
TO OPERATE MHF 4L LK HARNESS IN
4.50 ± 0.15 mm PITCH (M.2 PITCH) SMOOTHLY.
JIG PART NUMBER: 91493-0001

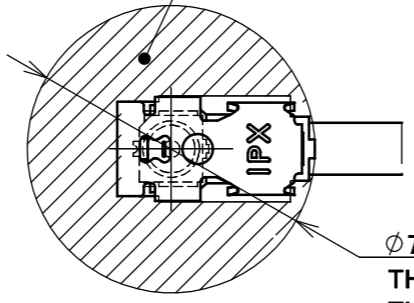


SINGLE CONNECTOR LAYOUT

COMPONENTS PLACEMENT PROHIBITED AREA
FOR PLUG 360° ROTATION AND UNMATING AND LOCK
JIG PART NUMBER: 91166-0001, 91493-0001



LOCKED CONDITION
DO NOT MATE WITH RECEPTACLE
UNDER THIS LOCKED CONDITION.



**MATING AND LOCK CONDITION
WITH MHF 4L LK HARNESS**

**MATING AND LOCK CONDITION
WITH MHF 4L LK HARNESS NARROW PITCH**

**MHF 4L LK HARNESS UNLOCK CONDITION
NARROW PITCH DIMENSIONS**

3	LOCK PART	2	-
2	CABLE	1	AWG#30 Φ 1.37, BRAIDED SHIELD, BLACK
1	CONNECTOR-1, 2	2	MHF 4L Ni Top
NO.	DESCRIPTION	QTY	REMARK

ANGLE	$\pm 2^\circ$	6 OVER 30 MAX.	± 0.3	PROJECTION 	SERIES No. H-230031G	TITLE MHF® 4L-4L CABLE137-1 +LK	SCALE X:1 UNIT mm	CUSTOMER COPY I-PEX		
	6 MAX.	± 0.2	30 OVER 120 MAX.						± 0.5	
GENERAL TOLERANCE.				DWG. No.		8-23-0110		SIZE	SHEET	REV.
0	Z231157	TOI	2023/09/25	APP.	Y.Hashimoto			A3	1/1	0
REV.	ECN	BY	DATE	APP.	REVISION RECORD					



Confidential C

I-PEX Inc.

QKE-DFE06-02 REV.12