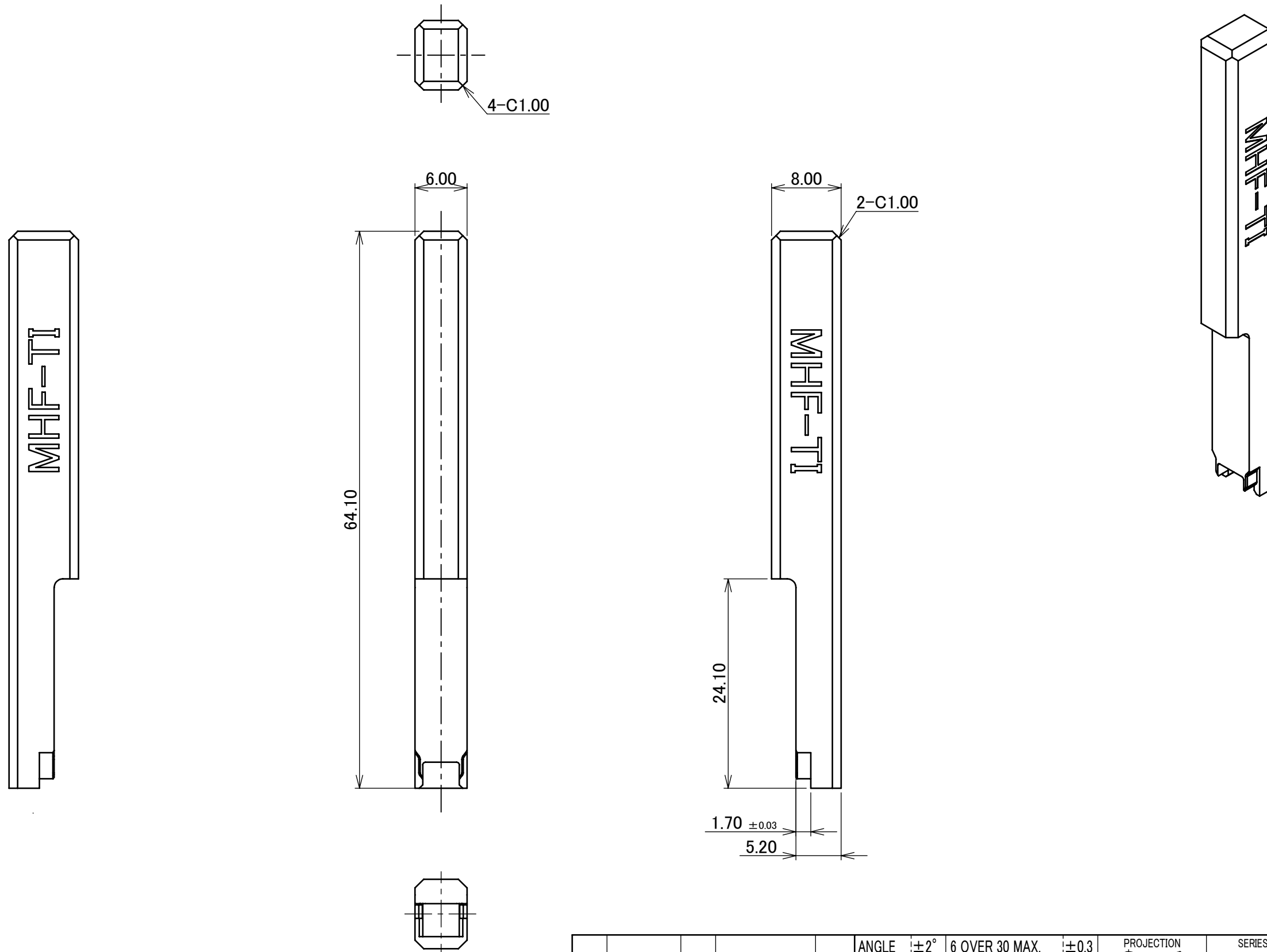


PART No.  
91097-0001



NOTES.  
1. MATERIAL : SKD11 HRC55-57

					ANGLE	±2°	6 OVER 30 MAX.	±0.3	PROJECTION	SERIES No.	CUSTOMER COPY				
						6 MAX.	±0.2	30 OVER 120 MAX.	±0.5		R0				
					GENERAL TOLERANCE.				TITLE	I-PEX					
					DWG.	DATE		MHF® -TI		UN-MATING JIG		SCALE			
1	Z231454	K.W	2023/12/06	Y.H	T.Yamauchi	2018/04/18						2:1			
0	Z180505	T.Y	2018/04/18		CHK.							UNIT			
					APP.							mm			
REV.	ECN	BY	DATE	APP.	APP.	2018/04/18		DWG. No.		91097	SIZE	SHEET	REV.		
REVISION RECORD					K.Yotsutani		2018/04/18				A3	1/1	1		