

Recommended P/N

20860-001E-01

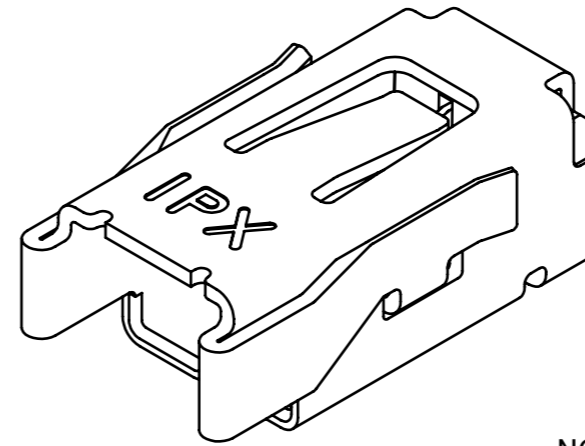
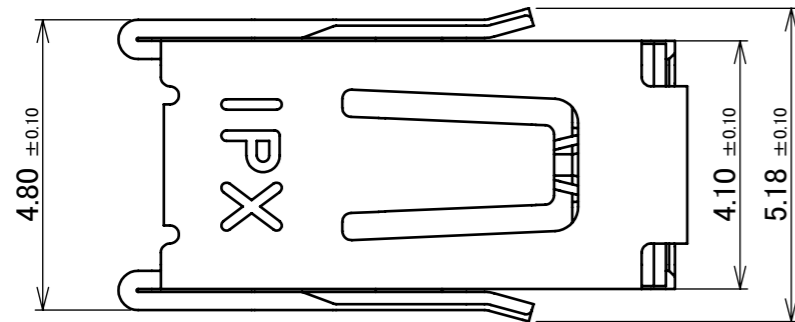
PART NO.
20860-001E-01



Halogen Free

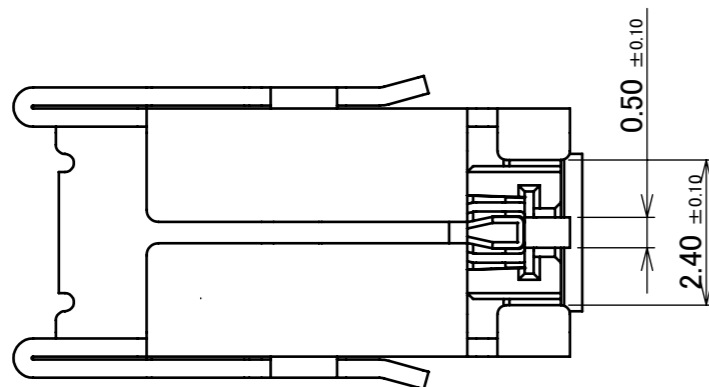
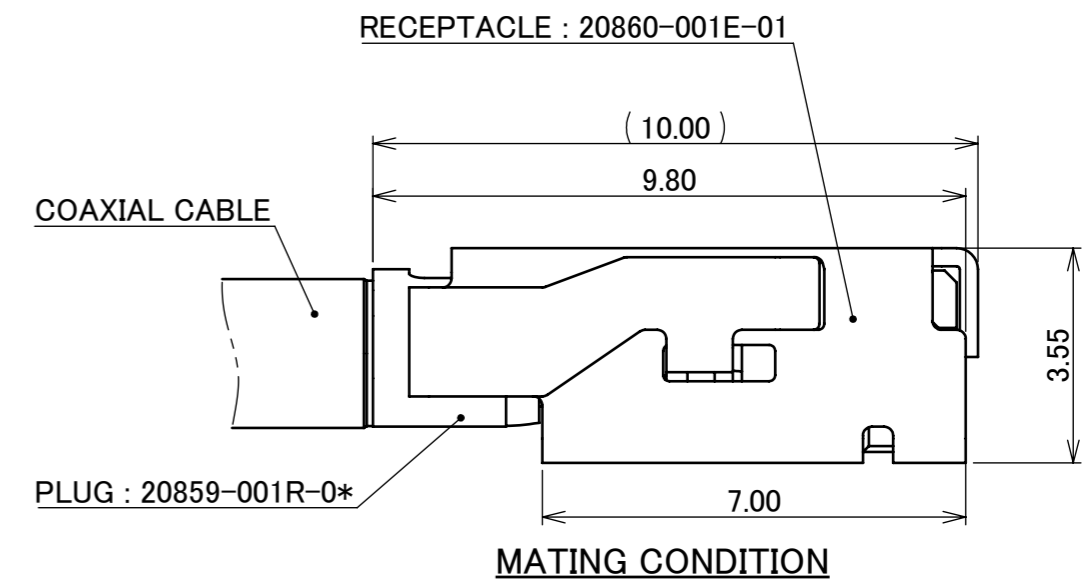
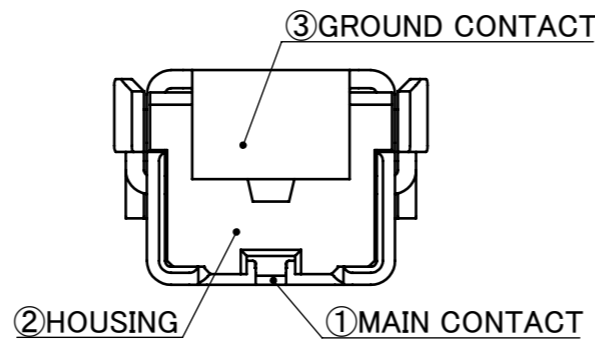
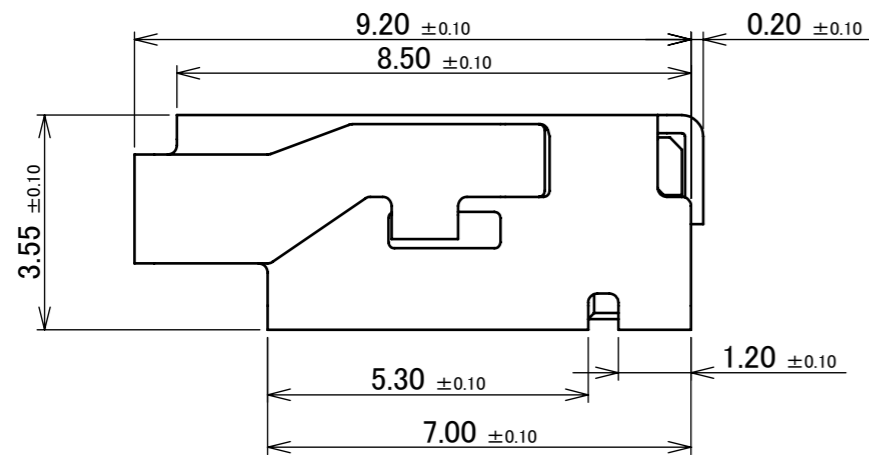


RoHS Compliant



NOTES.

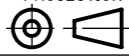
1. APPLICABLE CONNECTOR
MHF-TI PLUG(P/N: 20859-001R-0*)
2. APPLICABLE FREQUENCY RANGE: DC TO 6 GHz
3. COPLANARITY : 0.1MAX.
4. RoHS COMPLIANT
THIS PRODUCT IS COMPLIANT WITH RoHS DIRECTIVE.
5. HALOGEN FREE
THIS PRODUCT IS CONFORMED TO IEC 61249-2-21.

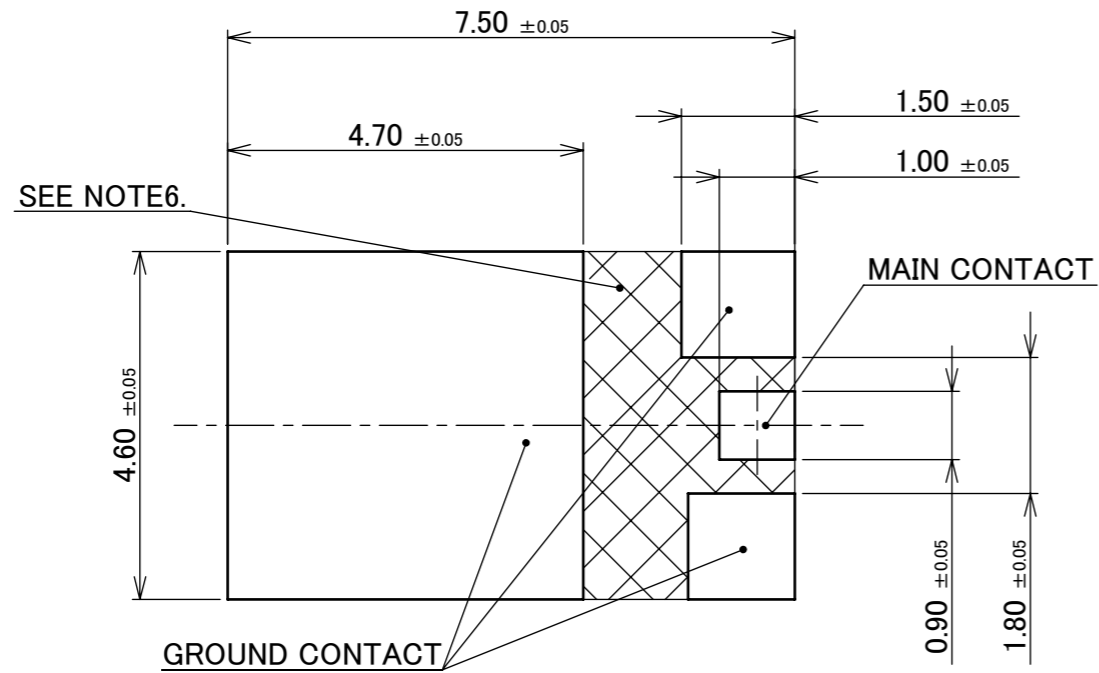


NO.	DESCRIPTION	MATERIAL	FINISH , REMARKS
3	GROUND CONTACT	PHOSPHOR BRONZE	Sn PLATING
2	HOUSING	LCP	UL94V-0, BLACK
1	MAIN CONTACT	CORSON ALLOY	Au PLATING

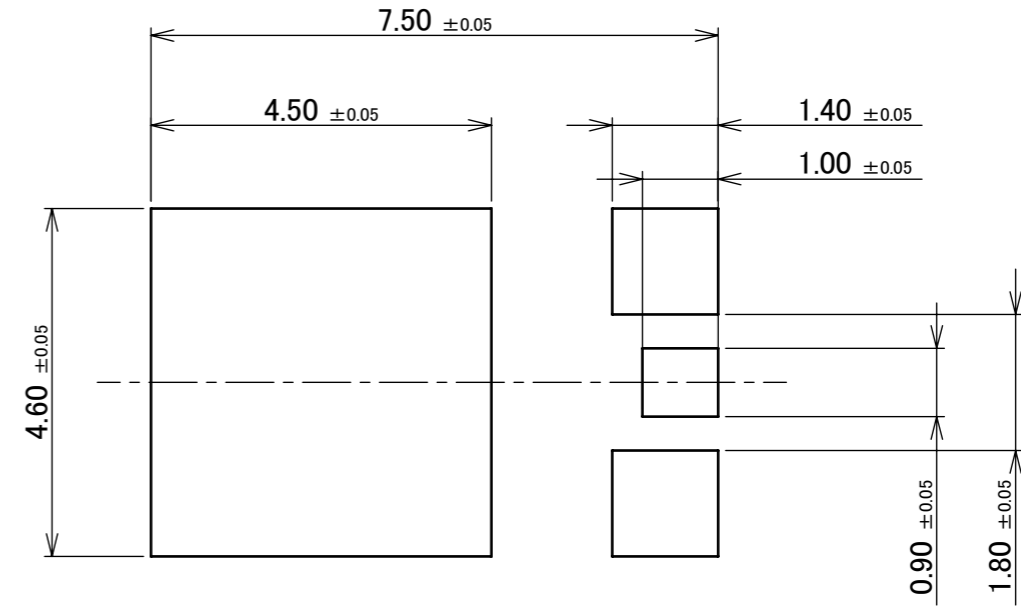
REV.	ECN	BY	DATE	APP.	APP.	APPROVAL	PROJECTION	SERIES No.	TITLE	SCALE	SHEET	REV.
5	Z211433	S.T	2021/11/22	M.T	ANGLE	±2°	6 OVER 30 MAX.	±0.3	MHF® -TI RECEPTACLE	5:1	A3	1/4
4	Z210754	S.T	2021/07/12	M.T	6 MAX.	±0.2	30 OVER 120 MAX.	±0.5				
3	Z210639	S.T	2021/06/16	M.T	GENERAL TOLERANCE.							
2	Z200197	K.T	2020/02/18	T.Y	DWG.	DATE						
1	Z200122	K.T	2020/01/28	Y.S	T.Yamauchi		2019/01/30					
0	Z190123	T.Y	2019/01/30		CHK.							
REV.	ECN	BY	DATE	APP.	APP.	T.Hirakawa		DWG. No.	20860	SIZE	SHEET	REV.
REVISION RECORD											5	5

ITEMS	SPECIFICATION
APPLICABLE CONNECTOR PART No.	20859-001R-01
RATING AMPERAGE	100mA AC/DC
RATING FREQUENCY	DC~6 GHz
OPERATING TEMPERATURE	233~378K (-40°C~+105°C)
OPERATING HUMIDITY	85% MAX. (NON-CONDENSING)
VSWR	1.5 MAX. AT DC~6 GHz
MAIN CONTACT RESISTANCE	INITIAL: 20 mohm MAX. / AFTER TEST: 30 mohm MAX.
GROUND CONTACT RESISTANCE	INITIAL: 15 mohm MAX. / AFTER TEST: 25 mohm MAX.
INSULATION RESISTANCE	INITIAL : 500 Mohm MIN. / AFTER TEST : 100 Mohm MIN.
DIELECTRIC WITHSTANDING VOLTAGE	200 V AC, 1 MINUTE
DURABILITY	30 CYCLES
MATING FORCE	45N MAX.,
MATING LOCK STRENGTH	110 N MIN
CRIMP STRENGTH	90 N MIN.
PRODUCT SPECIFICATION	PRS-2573
TEST REPORT	TR-20007
PACKING STANDARD	PST-18032
INSTRUCTION MANUAL	HIM-20001
APPEARANCE CRITERIA No.	QLS-A***

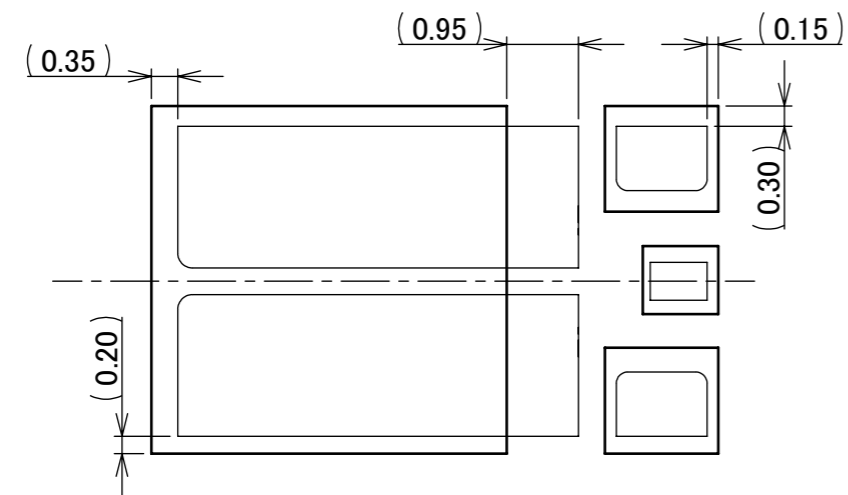
ANGLE	±2°	6 OVER 30 MAX.	±0.3	PROJECTION 	SERIES No. R0	CUSTOMER COPY		
6 MAX.	±0.2	30 OVER 120 MAX.	±0.5					
GENERAL TOLERANCE.				TITLE MHF® -T1 RECEPTACLE	SCALE 5:1 UNIT mm	I-PEX		
DWG.	DATE							
CHK.								
APP.								
				DWG. No.	20860	SIZE A3	SHEET 2/4	REV. 5



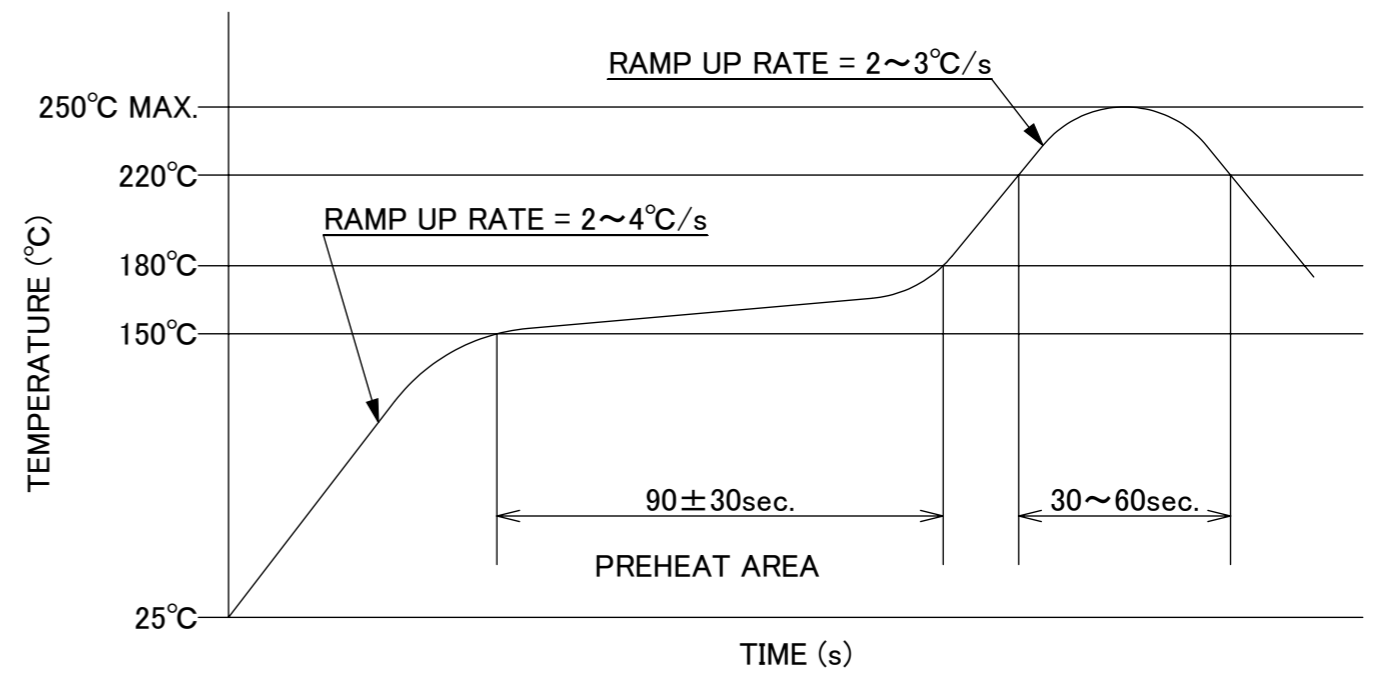
RECOMMENDED FOOTPRINT PATTERN



METAL MASK THICKNESS: 0.15mm



CONNECTOR ON RECOMMENDED FOOTPRINT PATTERN

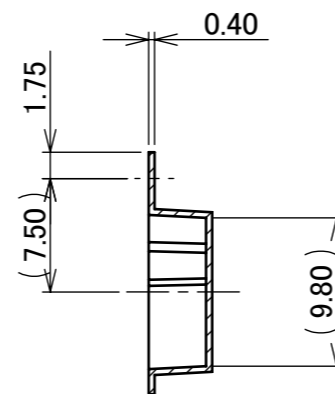
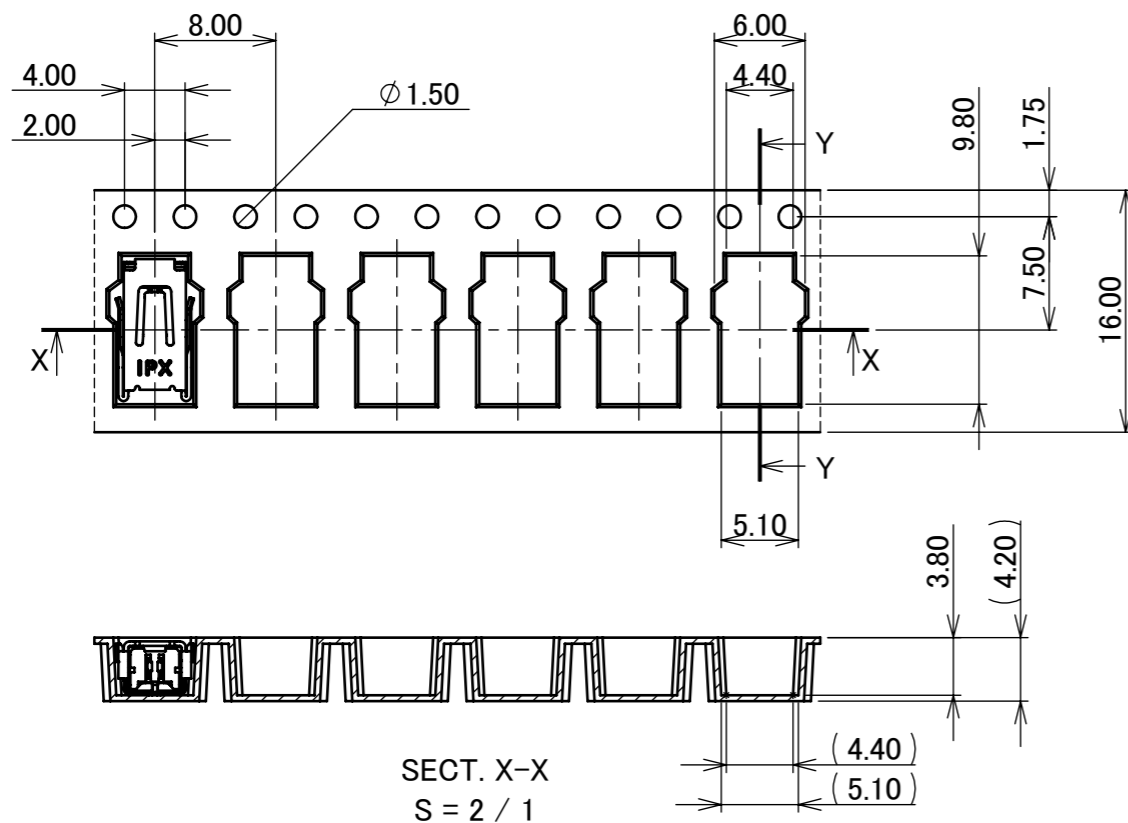
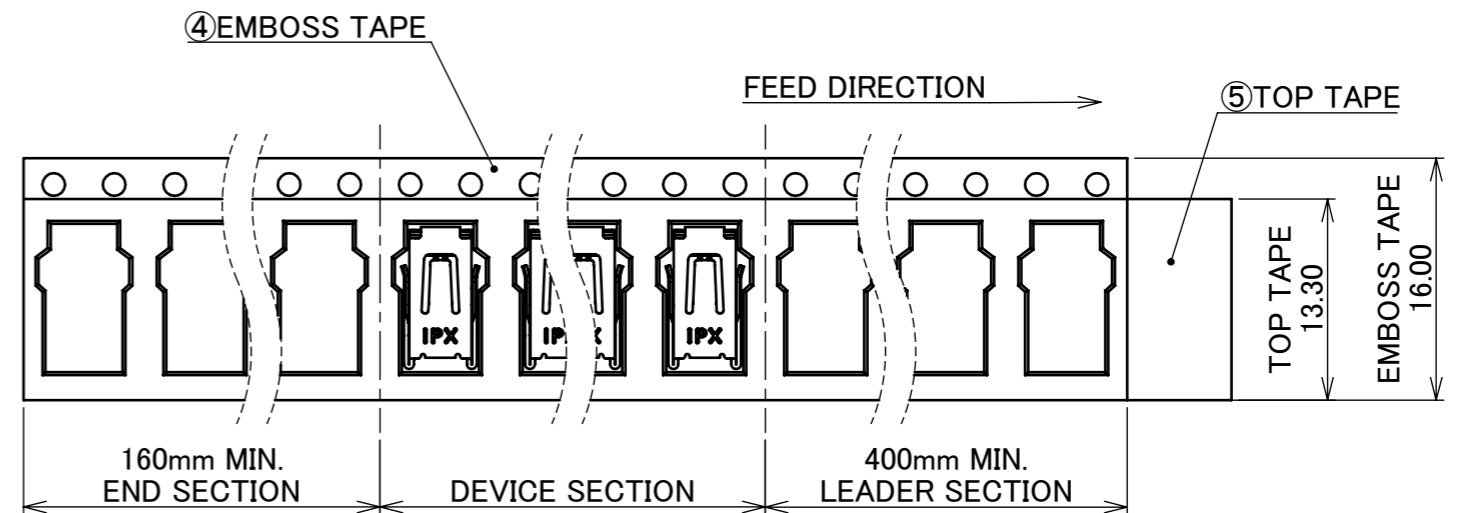
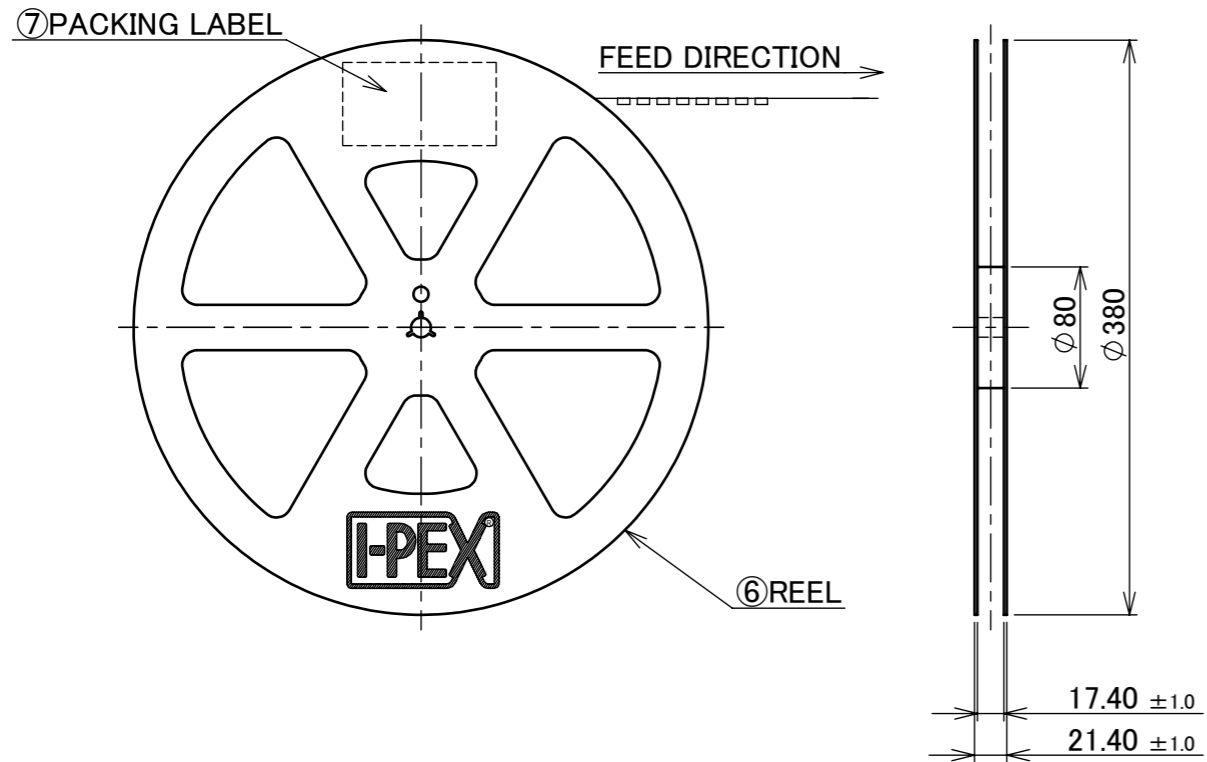


REFLOW TEMPERATURE PROFILE
SENJU METAL INDUSTRY CO., LTD. : M705-SHF(Sn96.5 Ag3.0 Cu0.5)

NOTES.
6. CUT OUT PROHIBITION AREA

ANGLE	±2°	6 OVER 30 MAX.	±0.3	PROJECTION ⊕	SERIES No. R0	CUSTOMER COPY			
6 MAX.	±0.2	30 OVER 120 MAX.	±0.5						
GENERAL TOLERANCE.				TITLE		SCALE	I-PEX		
DWG.	DATE			MHF® -T1 RECEPTACLE		20:1			
CHK.						UNIT			
APP.				DWG. No. 20860		mm			
						SIZE	SHEET	REV.	
						A3	3/4	5	

PART NO.	QTY. PER EMBOSS REEL (PIECES / REEL)	QTY. PER PACKING CARTON (REELS / CARTON)
20860-001E-01	2,500 PIECES / REEL	8 REELS / CARTON = 20,000 PIECES



SECT. Y-Y
S = 2 / 1

NOTES.

- TAPING SPECIFICATION FOLLOWS JIS C 0806 (IEC 60286-3).
- MAKE EMPTY SECTION OF LEADER AND END ON EACH END OF THE TAPE.
- TOP TAPE SHALL NOT STICK OUT FROM EMBOSS TAPE.
- TOP TAPE SHALL NOT COVER FEED HOLE.

NO.	DESCRIPTION	MATERIAL	FINISH, REMARKS
7	PACKING LABEL	-	-
6	REEL	PS	ANTI-STATIC TYPE
5	TOP TAPE	PET t=0.062 TRANSPARENCY	ANTI-STATIC TYPE
4	EMBOSS TAPE	PS t=0.40 TRANSPARENCY	ANTI-STATIC TYPE

ANGLE	±2°	6 OVER 30 MAX.	±0.3	PROJECTION ⊕	SERIES No. R0	CUSTOMER COPY		
6 MAX.	±0.2	30 OVER 120 MAX.	±0.5					
GENERAL TOLERANCE.				TITLE MHF® -T1 RECEPTACLE	SCALE 5:1	UNIT mm I-PEX		
DWG.	DATE							
CHK.								
APP.								
				DWG. No.	20860	SIZE A3	SHEET 4/4	REV. 5