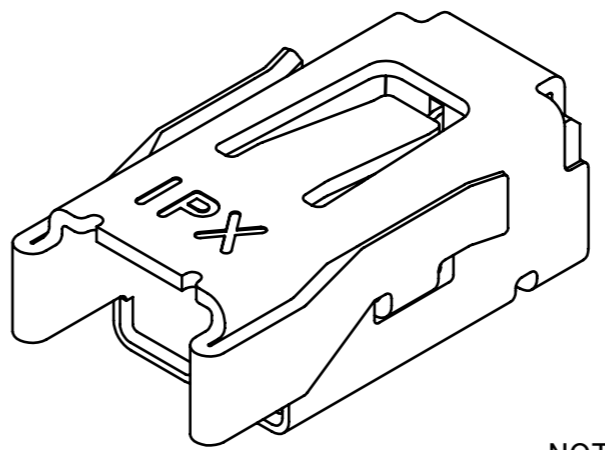
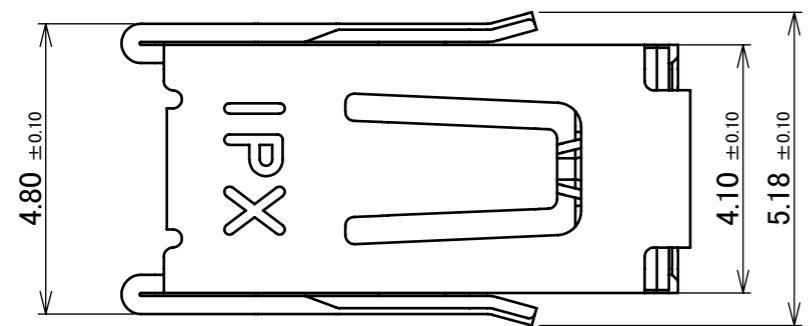
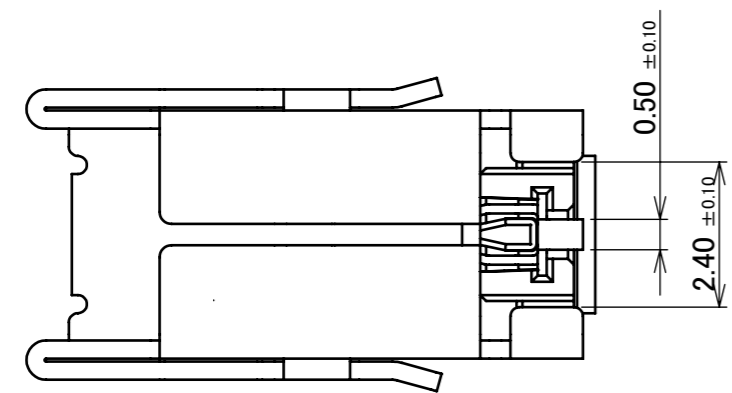
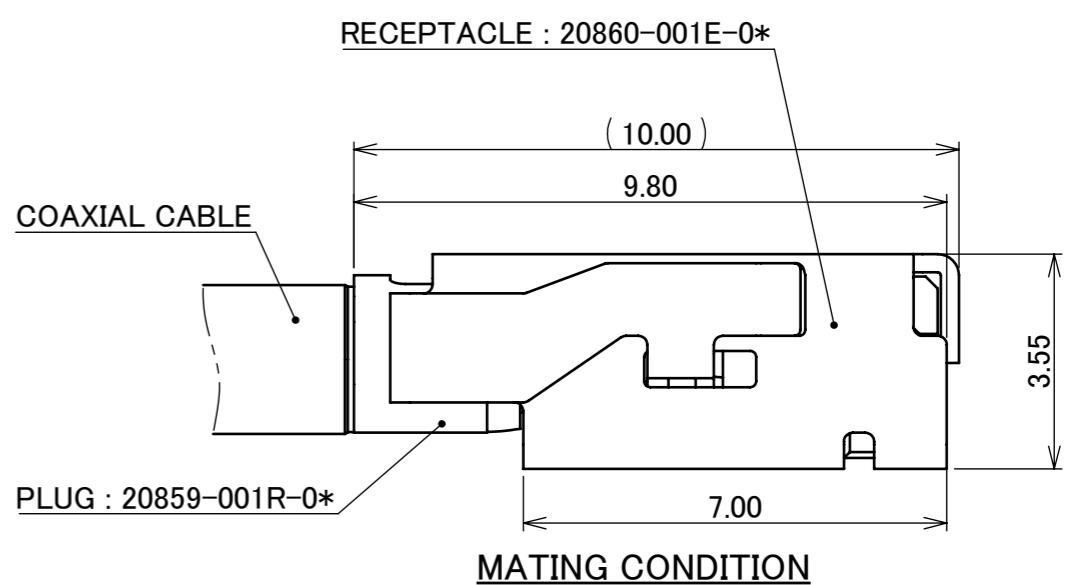
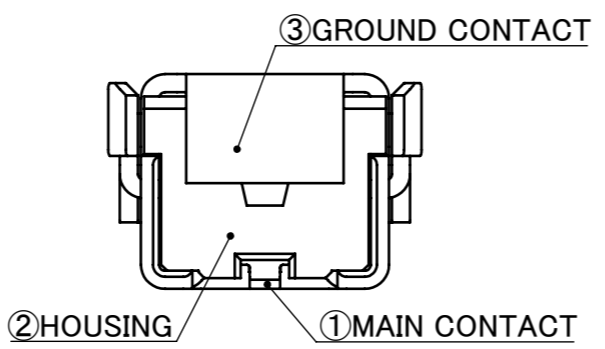
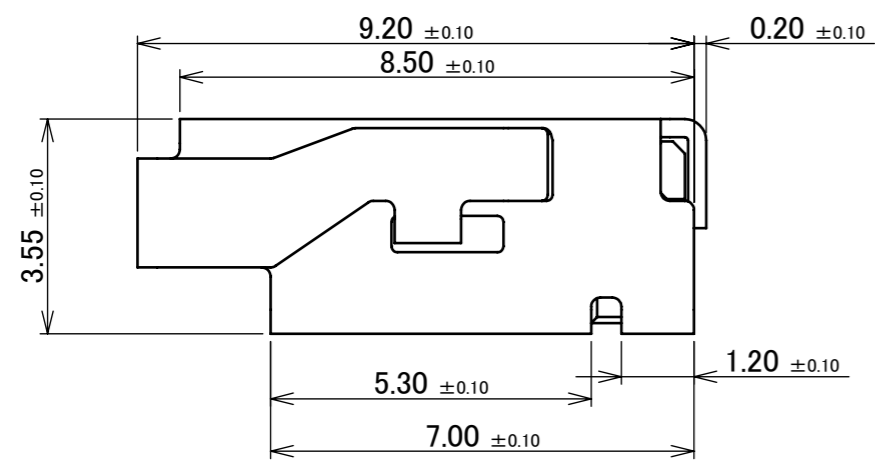


Recommended P/N 20860-001E-01

PART NO.	REMARK
20860-001E-00	WITHOUT JIG GUIDE
20860-001E-01	WITH JIG GUIDE



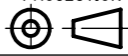
- NOTES.
1. APPLICABLE CONNECTOR  
MHF-TI PLUG(P/N: 20859-001R-0\*)
  2. APPLICABLE FREQUENCY RANGE: DC TO 6 GHz
  3. COPLANARITY : 0.1MAX.
  4. RoHS COMPLIANT  
THIS PRODUCT IS COMPLIANT WITH RoHS DIRECTIVE.
  5. HALOGEN FREE  
THIS PRODUCT IS CONFORMED TO IEC 61249-2-21.

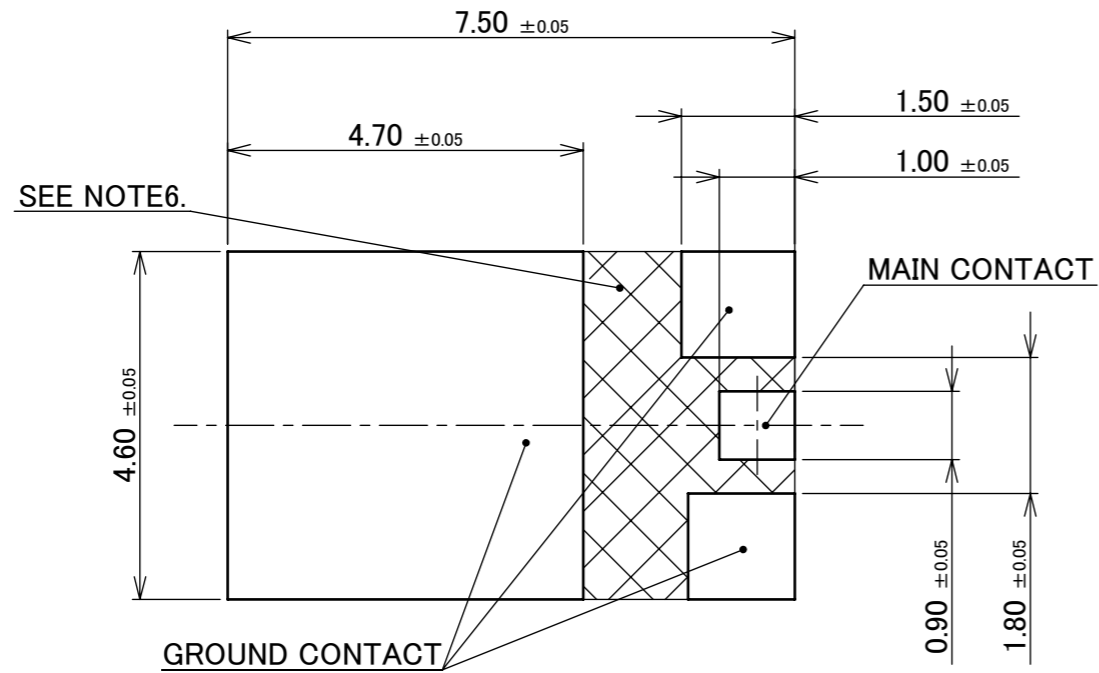


NO.	DESCRIPTION	MATERIAL	FINISH , REMARKS
3	GROUND CONTACT	PHOSPHOR BRONZE	Sn PLATING
2	HOUSING	LCP	UL94V-0, BLACK
1	MAIN CONTACT	CORSON ALLOY	Au PLATING

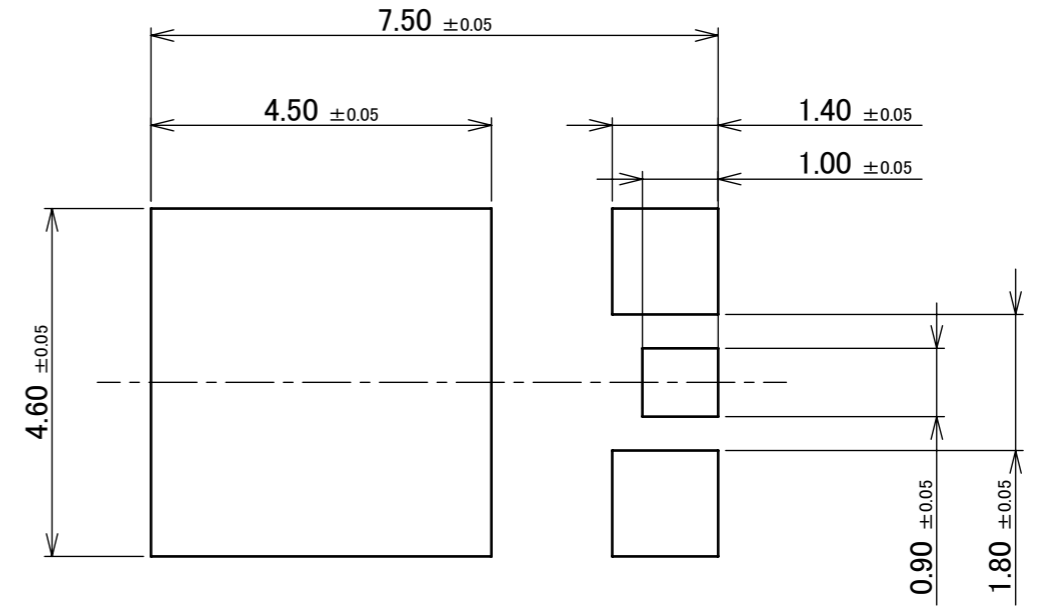
REV.	ECN	BY	DATE	APP.	APP.	ANGLE	PROJECTION	SERIES No.	TITLE	SCALE	CUSTOMER COPY	
						±2° 6 OVER 30 MAX. ±0.3 6 MAX. ±0.2 30 OVER 120 MAX. ±0.5	⊕	R0	MHF® -TI RECEPTACLE	5:1	I-PEX	
3	Z210639	S.T	2021/06/16	M.T		GENERAL TOLERANCE.				mm		
2	Z200197	K.T	2020/02/18	T.Y	DWG. T.Yamauchi	DATE 2019/01/30				UNIT		
1	Z200122	K.T	2020/01/28	Y.S	CHK.					SIZE		
0	Z190123	T.Y	2019/01/30							SHEET	REV.	
REVISION RECORD						T.Hirakawa	DWG. No. 20860			A3	1/4	0

ITEMS	SPECIFICATION
APPLICABLE CONNECTOR PART No.	20859-001R-0*
RATING AMPERAGE	100mA AC/DC
RATING FREQUENCY	DC~6 GHz
OPERATING TEMPERATURE	233~378K (-40°C~+105°C)
OPERATING HUMIDITY	85% MAX. (NON-CONDENSING)
VSWR	1.5 MAX. AT DC~6 GHz
MAIN CONTACT RESISTANCE	INITIAL: 20 mohm MAX. / AFTER TEST: 30 mohm MAX.
GROUND CONTACT RESISTANCE	INITIAL: 15 mohm MAX. / AFTER TEST: 25 mohm MAX.
INSULATION RESISTANCE	INITIAL : 500 Mohm MIN. / AFTER TEST : 100 Mohm MIN.
DIELECTRIC WITHSTANDING VOLTAGE	200 V AC, 1 MINUTE
DURABILITY	30 CYCLES
MATING FORCE	45N MAX.,
MATING LOCK STRENGTH	110 N MIN
CRIMP STRENGTH	90 N MIN.
PRODUCT SPECIFICATION	PRS-2573
TEST REPORT	TR-20007
PACKING STANDARD	PST-18032
INSTRUCTION MANUAL	HIM-20001
APPEARANCE CRITERIA No.	QLS-A***

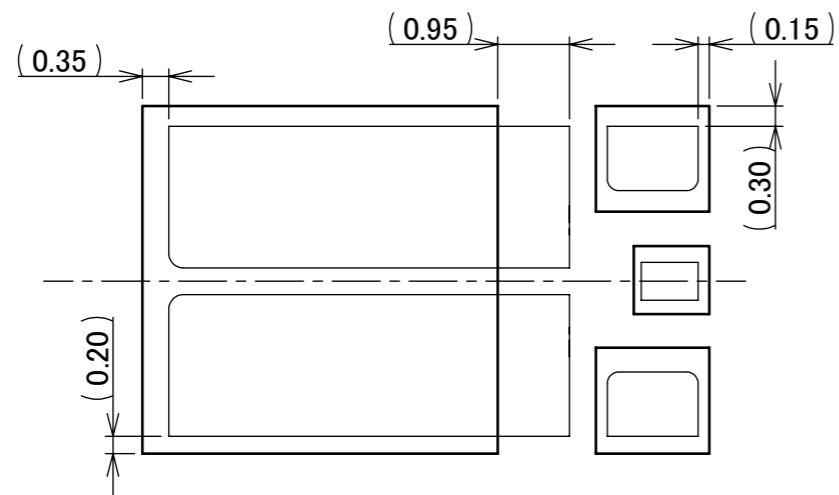
ANGLE	±2°	6 OVER 30 MAX.	±0.3	PROJECTION 	SERIES No. R0	CUSTOMER COPY		
	6 MAX.	±0.2	30 OVER 120 MAX.					±0.5
GENERAL TOLERANCE.				TITLE MHF® -T1 RECEPTACLE	SCALE 5:1 UNIT mm	<b>I-PEX</b>		
DWG.	DATE							
CHK.								
APP.								
				DWG. No.	20860	SIZE A3	SHEET 2/4	REV. 0



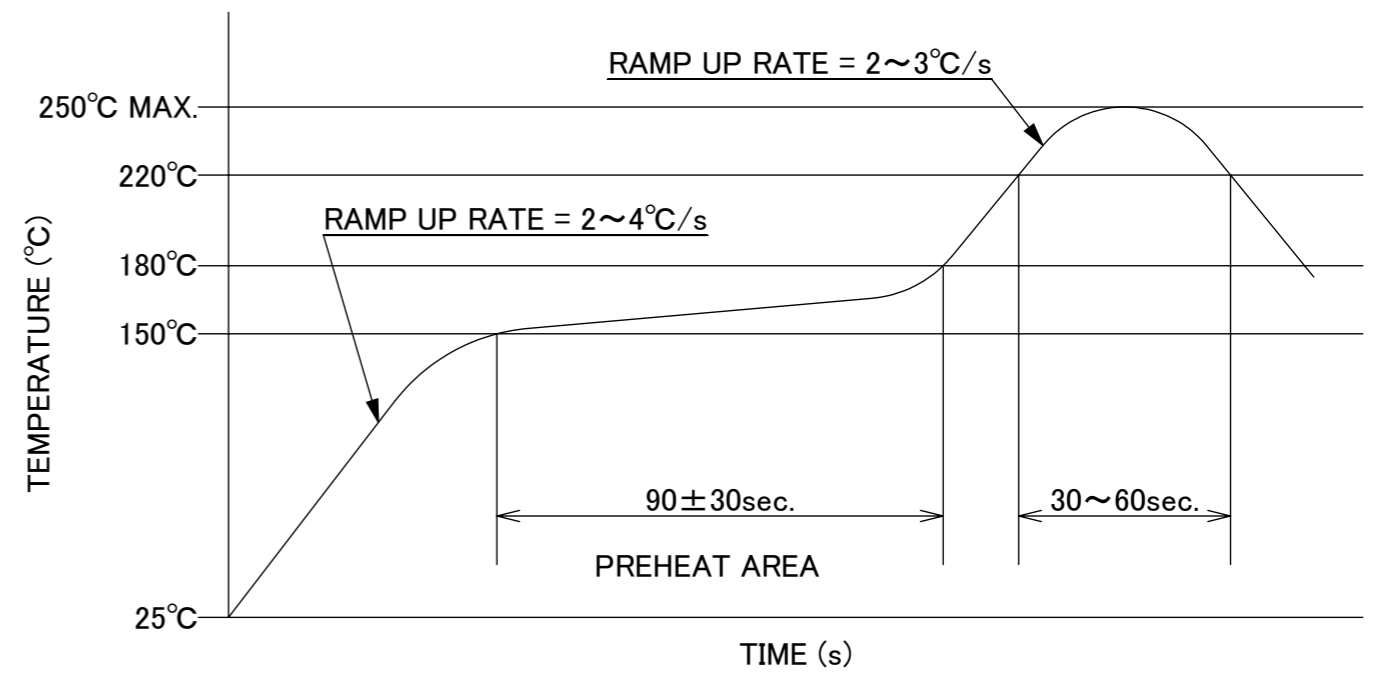
RECOMMENDED FOOTPRINT PATTERN



METAL MASK THICKNESS: 0.15mm



CONNECTOR ON RECOMMENDED FOOTPRINT PATTERN

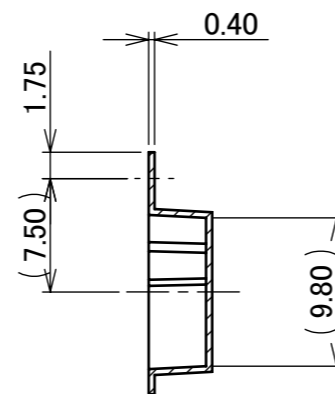
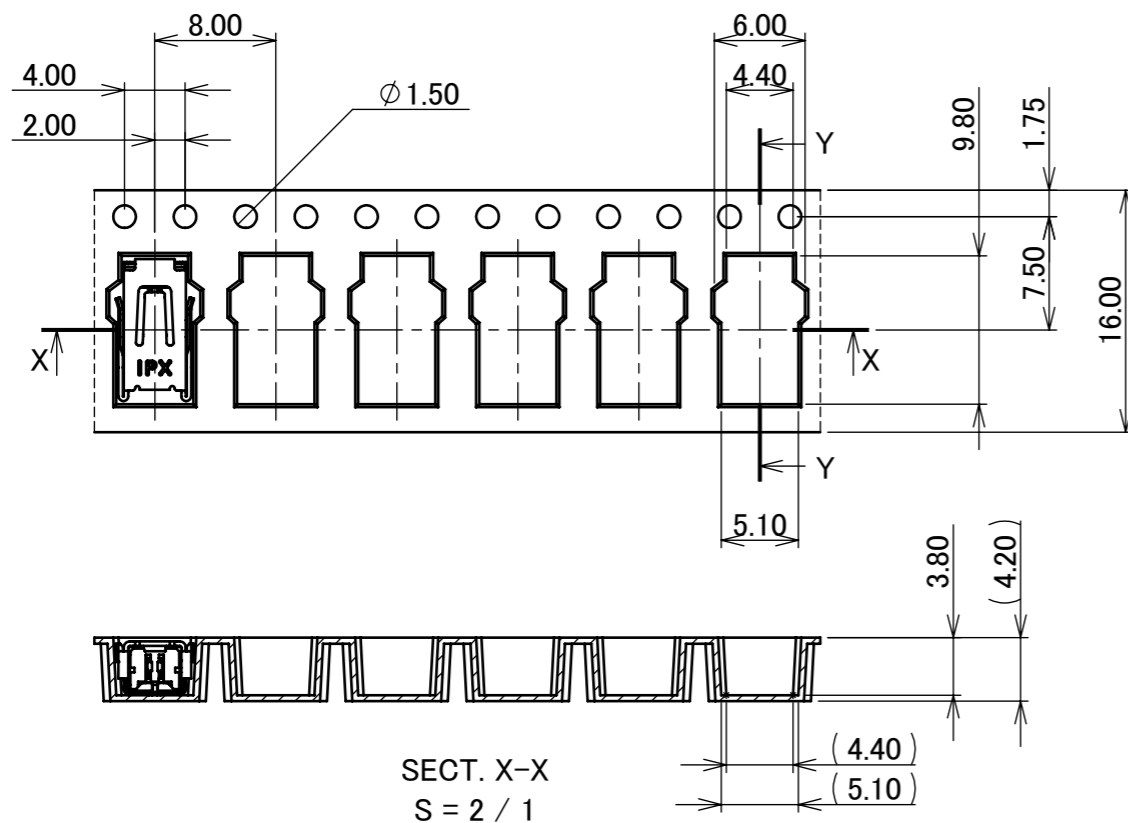
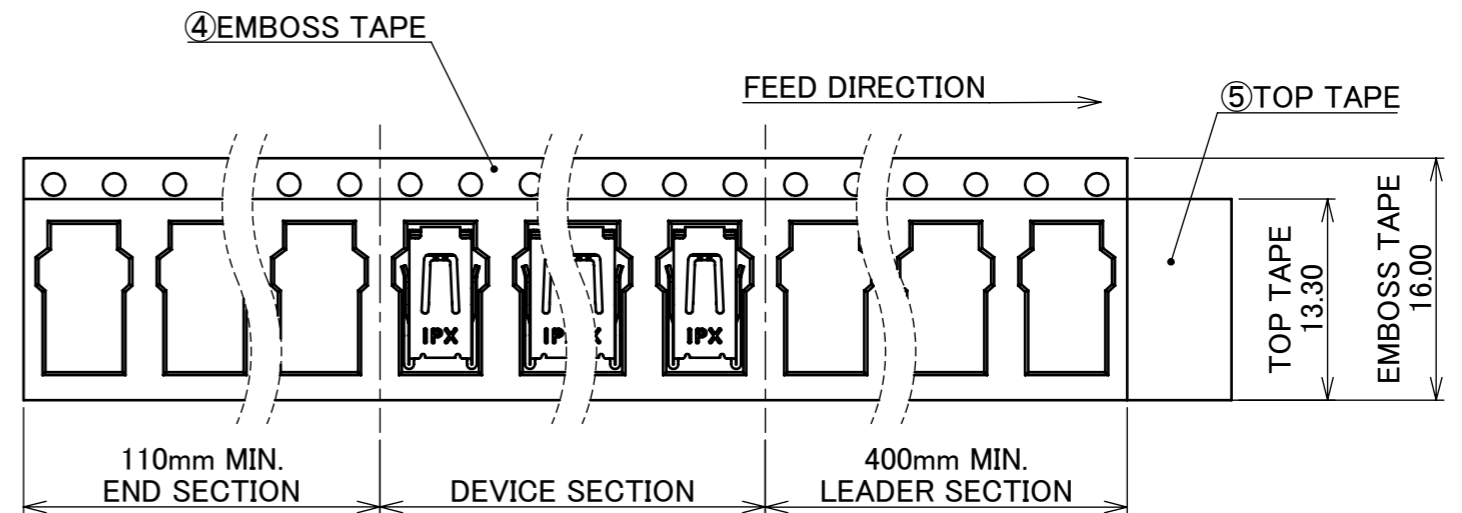
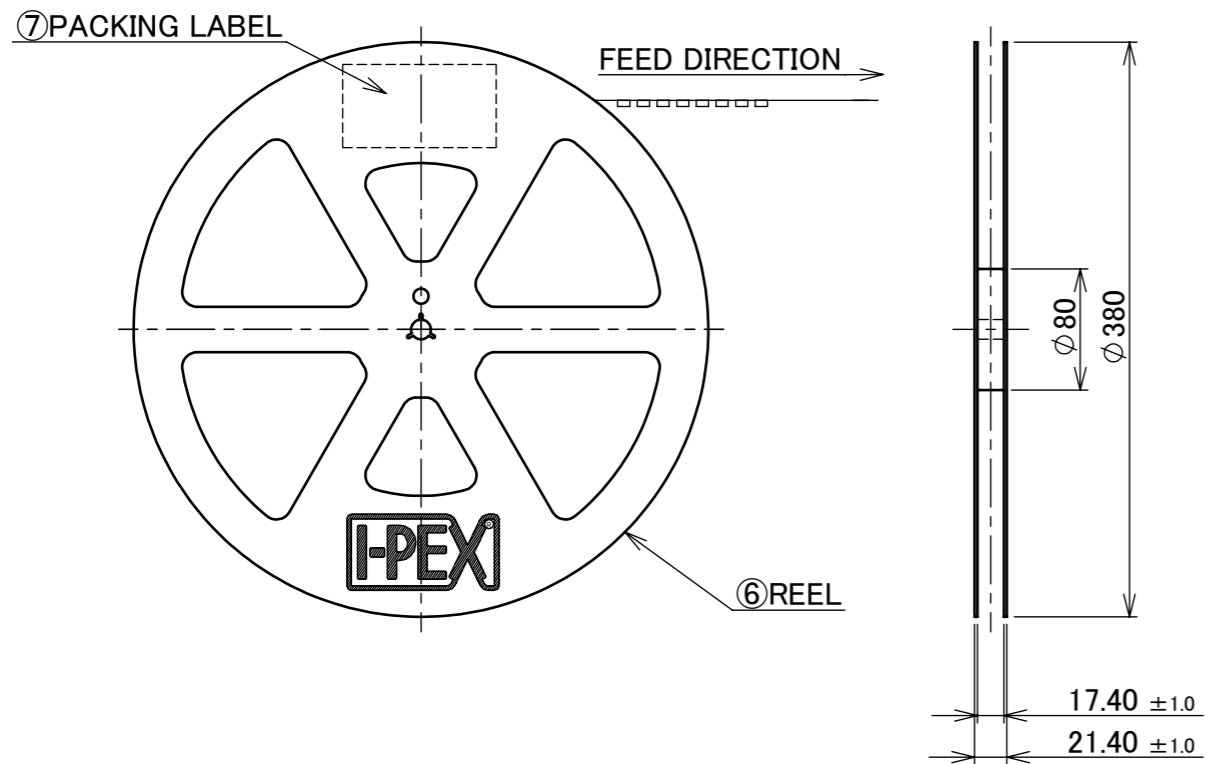


REFLOW TEMPERATURE PROFILE  
SENJU METAL INDUSTRY CO., LTD. : M705-SHF(Sn96.5 Ag3.0 Cu0.5)

NOTES.  
6. CUT OUT PROHIBITION AREA

ANGLE	±2°	6 OVER 30 MAX.	±0.3	PROJECTION ⊕	SERIES No. R0	CUSTOMER COPY			
6 MAX.	±0.2	30 OVER 120 MAX.	±0.5						
GENERAL TOLERANCE.				TITLE		SCALE	<b>I-PEX</b>		
DWG.	DATE			MHF® -T1 RECEPTACLE		20:1			
CHK.						UNIT			
APP.				DWG. No. 20860		mm			
						SIZE	SHEET	REV.	
						A3	3/4	0	

PART NO.	QTY. PER EMBOSS REEL (PIECES / REEL)	QTY. PER PACKING CARTON (REELS / CARTON)
20860-001E-0*	2,500 PIECES / REEL	8 REELS / CARTON = 20,000 PIECES



SECT. Y-Y  
S = 2 / 1

SECT. X-X  
S = 2 / 1

NOTES.

7. TAPING SPECIFICATION FOLLOWS JIS C 0806 (IEC 60286-3).
8. MAKE EMPTY SECTION OF LEADER AND END ON EACH END OF THE TAPE.
9. TOP TAPE SHALL NOT STICK OUT FROM EMBOSS TAPE.
10. TOP TAPE SHALL NOT COVER FEED HOLE.

NO.	DESCRIPTION	MATERIAL	FINISH, REMARKS
7	PACKING LABEL	-	-
6	REEL	PS	ANTI-STATIC TYPE
5	TOP TAPE	PET t=0.062 TRANSPARENCY	ANTI-STATIC TYPE
4	EMBOSS TAPE	PS t=0.40 TRANSPARENCY	ANTI-STATIC TYPE

ANGLE	±2°	6 OVER 30 MAX.	±0.3	PROJECTION ⊕	SERIES No. R0	CUSTOMER COPY		
6 MAX.	±0.2	30 OVER 120 MAX.	±0.5					
GENERAL TOLERANCE.				TITLE MHF® -T1 RECEPTACLE	SCALE 5:1	UNIT mm I-PEX		
DWG.	DATE							
CHK.								
APP.								
				DWG. No.	20860	SIZE A3	SHEET 4/4	REV. 0