

Recommended P/N 20859-001R-0\*

PART NO.	APPLICABLE CABLE
20859-001R-00	Φ 2.46 ~ Φ 2.80
20859-001R-01	Φ 2.80 ~ Φ 3.00

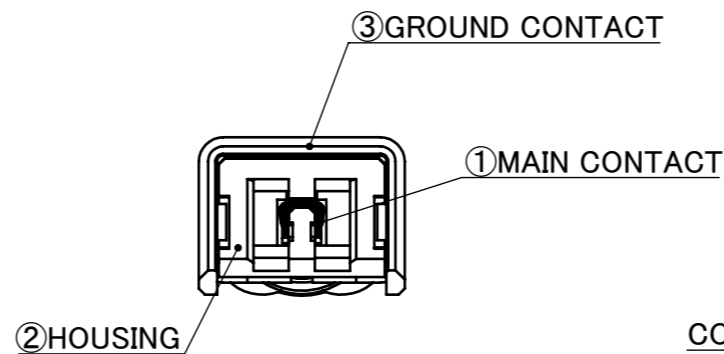
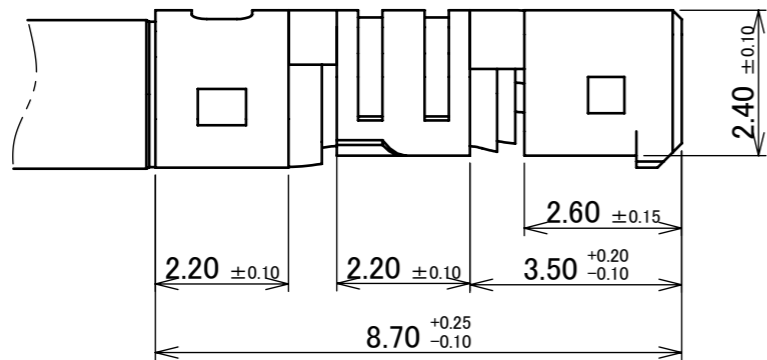
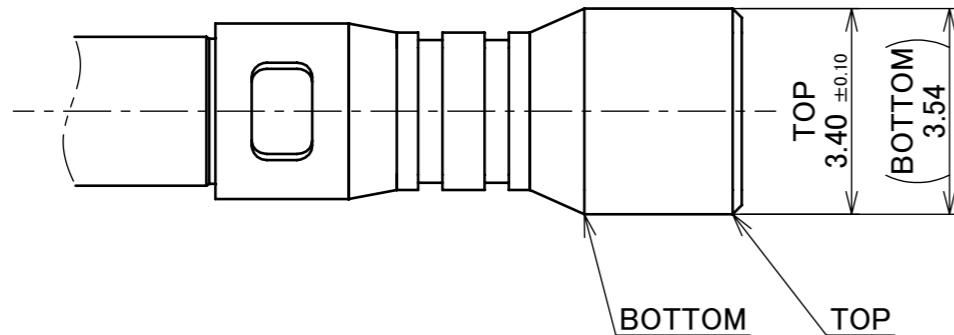
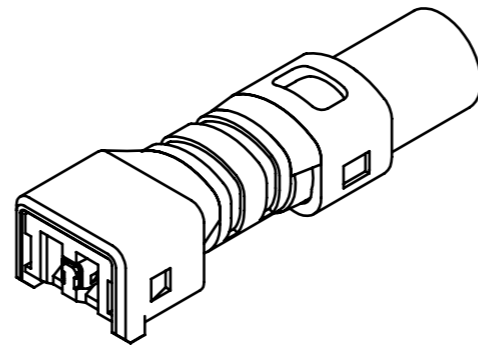
OFFERED AS HARNESS ONLY.



Halogen Free

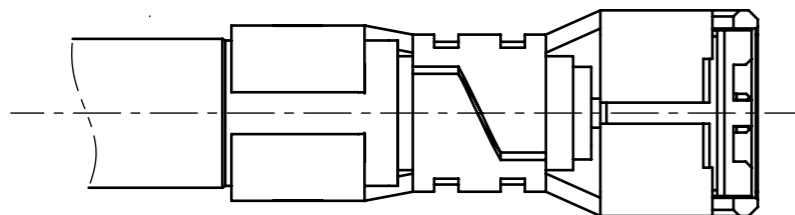
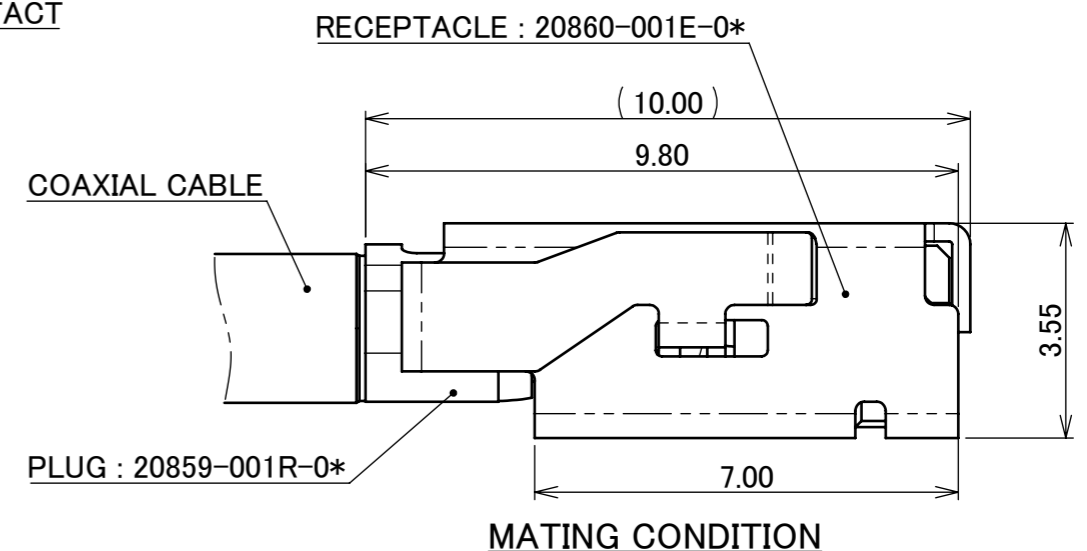


RoHS Compliant



NOTES.

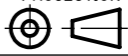
1. APPLICABLE CONNECTOR  
MHF-TI RECEPTACLE(P/N: 20860-001E-01)
2. APPLICABLE CABLE  
AWG#24~26, Φ 2.46 ~ 3.0mm  
Φ 2.46~Φ 2.80 20589-001R-00  
Φ 2.80~Φ 3.00 20589-001R-01
3. APPLICABLE FREQUENCY RANGE: DC TO 6 GHz
4. RoHS COMPLIANT  
THIS PRODUCT IS COMPLIANT WITH RoHS DIRECTIVE.
5. HALOGEN FREE  
THIS PRODUCT IS CONFORMED TO IEC 61249-2-21.

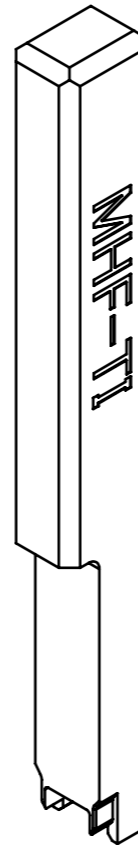


NO.	DESCRIPTION	MATERIAL	FINISH , REMARKS
3	GROUND CONTACT	PHOSPHOR BRONZE	Sn PLATING
2	HOUSING	LCP	UL94V-0, BLACK
1	MAIN CONTACT	BRASS	Au PLATING

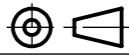
REV.	ECN	BY	DATE	APP.	APP.	CHK.	ANGLE	PROJECTION	SERIES No.	TITLE	SCALE	CUSTOMER COPY
4	Z231468	K.W	2023/12/07	Y.H	6 MAX.	±2°	6 OVER 30 MAX. ±0.3	⊕	R1R0	MHF® -TI PLUG	8:1	I-PEX
3	Z211032	S.T	2021/09/02	M.T	30 OVER 120 MAX. ±0.5	±0.2	±0.5			GENERAL TOLERANCE.	mm	
2	Z210999	S.T	2021/08/26	M.T	DWG.							
1	Z200122	K.T	2020/01/28	Y.S	T.Yamauchi					2019/01/30		
0	Z190123	T.Y	2019/01/30									
REV.	ECN	BY	DATE	APP.	APP.	CHK.	ANGLE	PROJECTION	SERIES No.	TITLE	SCALE	CUSTOMER COPY
					T.Hirakawa				R1R0	MHF® -TI PLUG	8:1	I-PEX
											mm	
											UNIT	
											SIZE	
											SHEET	
											1/3	
											REV.	
											4	

ITEMS	SPECIFICATION
RECOMMENDED APPLICABLE CONNECTOR PART No.	20860-001E-0*
RATING AMPERAGE	100mA AC/DC
RATING FREQUENCY	DC~6 GHz
OPERATING TEMPERATURE	233~378K (-40°C~+105°C)
OPERATING HUMIDITY	85% MAX. (NON-CONDENSING)
VSWR	1.5 MAX. AT DC~6 GHz
MAIN CONTACT RESISTANCE	INITIAL: 20 mohm MAX. / AFTER TEST: 30 mohm MAX.
GROUND CONTACT RESISTANCE	INITIAL: 15 mohm MAX. / AFTER TEST: 25 mohm MAX.
INSULATION RESISTANCE	INITIAL: 500 Mohm MIN. / AFTER TEST: 100 Mohm MIN.
DIELECTRIC WITHSTANDING VOLTAGE	200 V AC, 1 MINUTE
DURABILITY	30 CYCLES
MATING FORCE	45N MAX.,
MATING LOCK STRENGTH	110 N MIN
CRIMP STRENGTH	90 N MIN.
PRODUCT SPECIFICATION	PRS-2573
TEST REPORT	TR-20007
INSTRUCTION MANUAL	HIM-20001
APPEARANCE CRITERIA No.	QLS-A***

ANGLE	±2°	6 OVER 30 MAX.	±0.3	PROJECTION 	SERIES No. R1R0	CUSTOMER COPY		
	6 MAX.	±0.2	30 OVER 120 MAX.					±0.5
GENERAL TOLERANCE.				TITLE MHF® -T1 PLUG	SCALE	<b>I-PEX</b>		
DWG.	DATE							UNIT
CHK.								mm
APP.								SIZE SHEET REV.
				DWG. No.	20859	A3	2/3	4



MHF-TI UN-MATING JIG  
PART NO. 91097-0001

ANGLE	±2°	6 OVER 30 MAX.	±0.3	PROJECTION 	SERIES No.	CUSTOMER COPY			
6 MAX.	±0.2	30 OVER 120 MAX.	±0.5		R1R0	SCALE	<b>I-PEX</b>		
GENERAL TOLERANCE.				TITLE MHF® -TI PLUG	2:1	UNIT			
DWG.	DATE				DWG. No.	20859	SIZE	SHEET	REV.
CHK.							A3	3/3	4
APP.									