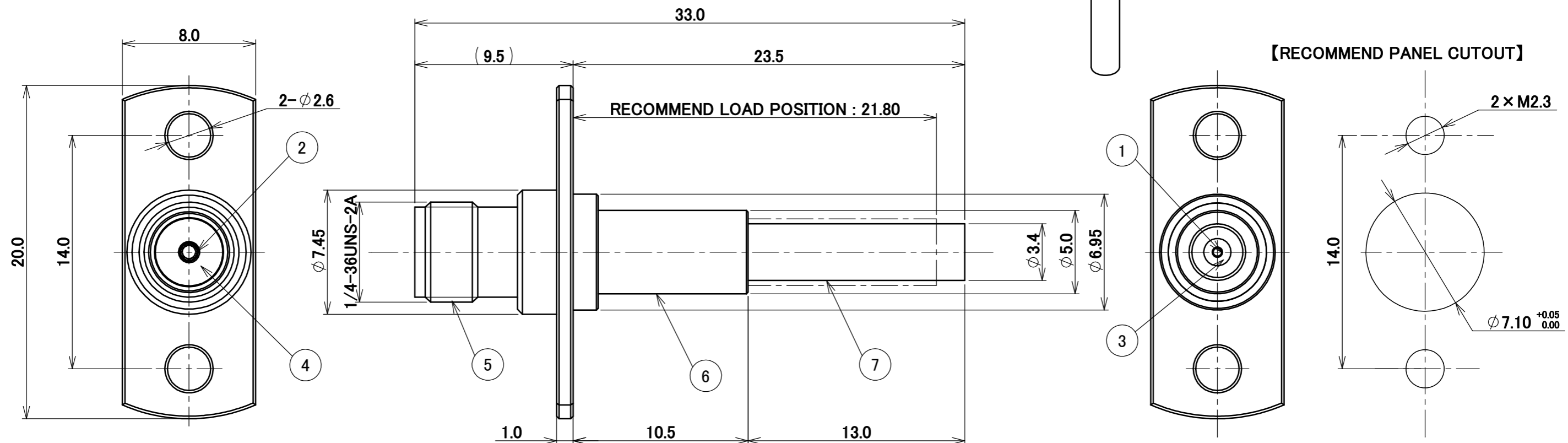
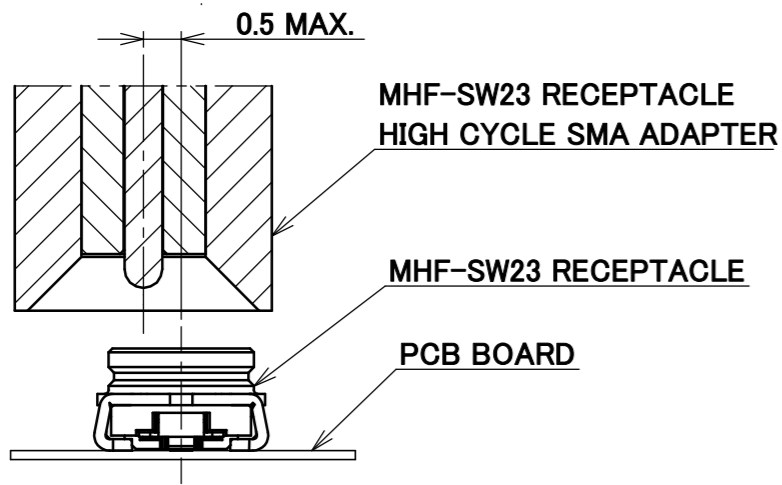


PART NO.  
90604-0001



NOTES

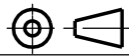
- 1. APPLICABLE CONNECTOR  
MHF-SW23(P/N:20549-001E)
- 2. AXIAL MISALIGNMENT DISTANCE : 0.5mm MAX.



NO.	DESCRIPTION	MATERIAL	FINISH, REMARKS
7	OUTER CONTACT C	BERYLLIUM COPPER	Au 1.0 $\mu$ m MIN. OVER Ni 1.0 $\mu$ m MIN.
6	OUTER CONTACT B	STAINLESS STEEL	PASSIVATION
5	OUTER CONTACT A	STAINLESS STEEL	PASSIVATION
4	INSULATOR B	PTFE	
3	INSULATOR A	PTFE	
2	PIN CONTACT B	BERYLLIUM COPPER	Au 1.0 $\mu$ m MIN. OVER Ni 1.0 $\mu$ m MIN.
1	PIN CONTACT A	BERYLLIUM COPPER	Au 1.0 $\mu$ m MIN. OVER Ni 1.0 $\mu$ m MIN.

REV.	ECN	BY	DATE	APP.	DESCRIPTION	ANGLE	PROJECTION	SERIES No.	CUSTOMER COPY
2	Z190626	K.I	2019/05/09	Y.H	DWG.	$\pm 2^\circ$ 6 OVER 30 MAX. $\pm 0.3$		R0	CUSTOMER COPY
1	Z190240	Yufu	2019/02/19	Y.H	CHK.	6 MAX. $\pm 0.2$ 30 OVER 120 MAX. $\pm 0.5$			
0	Z13664	K.H	2013/07/16		APP.	GENERAL TOLERANCE.			
REVISION RECORD					T.Takano	2013/07/16	TITLE		SCALE
							MHF <sup>®</sup> -SW23 RECEPTACLE HIGH CYCLE SMA ADAPTER		5:1
							DWG. No. 90604		UNIT mm
									I-PEX
									SIZE A3
									SHEET 1/2 REV. 2

ITEMS	SPECIFICATION
APPLICABLE CONNECTOR PART No.	20549-001E-**
RATING FREQUENCY	DC~11GHz
OPERATING TEMPERATURE	233~358K(-40°C~+85°C)
VSWR	1.4 MAX. (DC~3GHz), 1.6 MAX. (3GHz~6GHz), 2.0 MAX. (6GHz~11GHz)
INSULATION RESISTANCE	1,000 Mohm MIN. at DC100V
DIELECTRIC WITHSTANDING VOLTAGE	AC100V 1min
DURABILITY	10,000 CYCLES
PRODUCT SPECIFICATION	PRS-2013
TEST REPORT	TR-14106
INSTRUCTION MANUAL	HIM-13007

ANGLE	±2°	6 OVER 30 MAX.	±0.3	PROJECTION 	SERIES No. <b>R0</b>	CUSTOMER COPY
6 MAX.	±0.2	30 OVER 120 MAX.	±0.5			
GENERAL TOLERANCE.				TITLE <b>MHF®-SW23 RECEPTACLE HIGH CYCLE SMA ADAPTER</b>	SCALE -	<b>I-PEX</b>
DWG.	DATE					
CHK.	DATE					
APP.	DATE					
				DWG. No. <b>90604</b>	SIZE <b>A3</b>	SHEET <b>2/2</b> REV. <b>2</b>