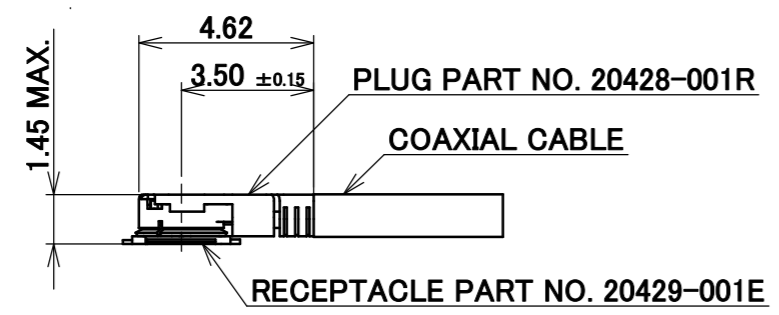
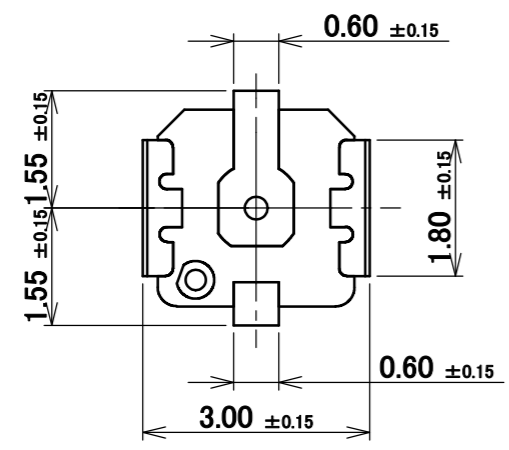
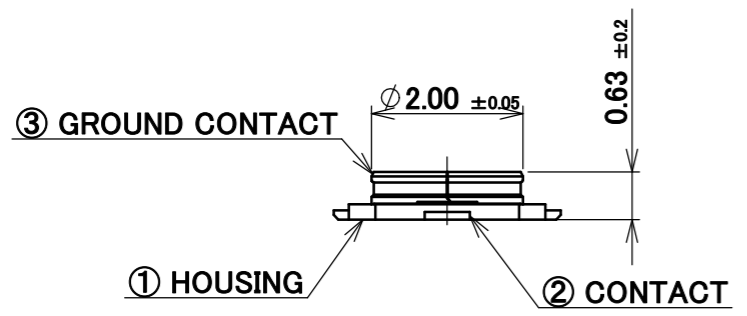
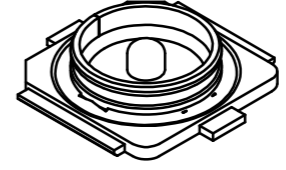
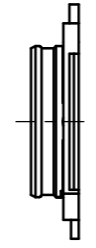
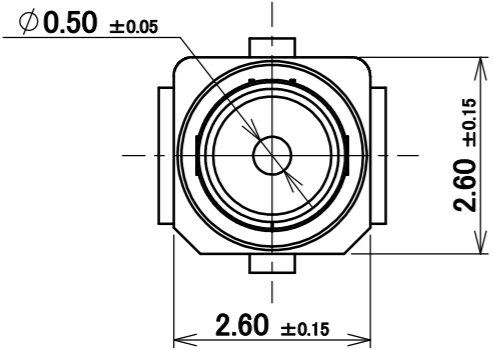
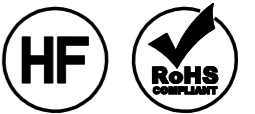


PART NO.  
20429-001E

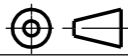


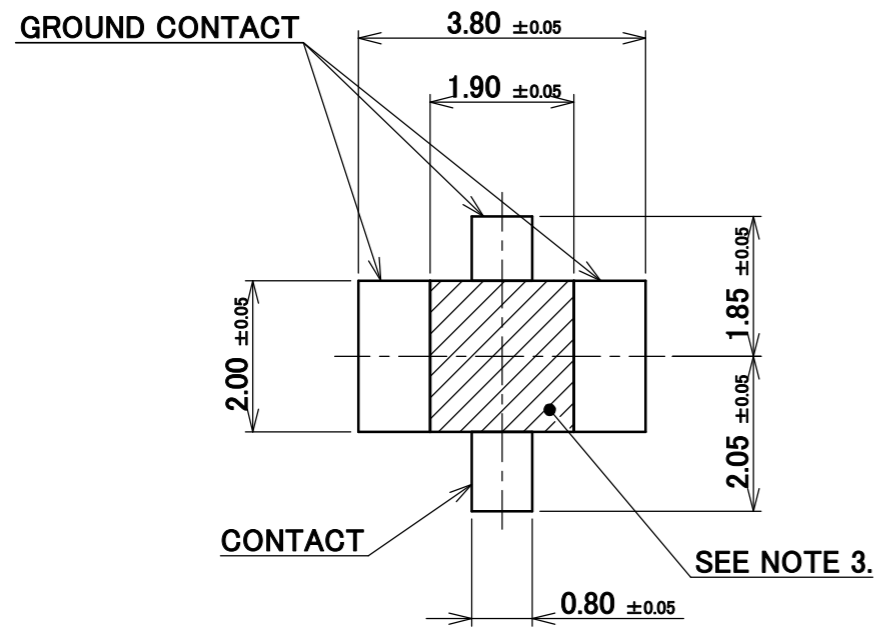
NOTES  
1. APPLICABLE CONNECTOR: 20428-001R  
2. COPLANARITY: 0.1 MAX.

NO.	DESCRIPTION	MATERIAL	FINISH , REMARKS
3	GROUND CONTACT	PHOSPHOR BRONZE	ALL OVER Ni 1.00 μ m MIN. CONTACT PART Au 0.03 μ m MIN. SOLDERING PART Au 0.03 μ m MIN.
2	CONTACT	BRASS	ALL OVER Ni 1.00 μ m MIN. CONTACT PART Au 0.05 μ m MIN. SOLDERING PART Au 0.05 μ m MIN.
1	HOUSING	LCP	UL94V-0, BLACK

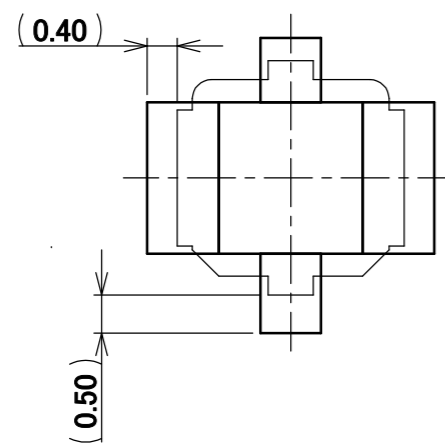
REV.	ECN	BY	DATE	APP.	APP.	DATE	DWG. No.	SIZE	SHEET	REV.
8	Z191285	R.S	2019/09/24	R.S	ANGLE	±2°	6 OVER 30 MAX.	±0.3	PROJECTION	SERIES No.
7	Z181718	Y.I	2018/12/27	Ken	6 MAX.	±0.2	30 OVER 120 MAX.	±0.5	R2	CUSTOMER COPY
6	Z150656	S.T	2015/06/12	Tom	GENERAL TOLERANCE.			TITLE	SCALE	I-PEX
5	Z12745	H.M	2012/08/31	E.K	DWG.	DATE	MHF®-A13 RECEPTACLE	10:1		
4	Z11644	H.M	2011/12/06	E.K	T.Hirakawa	2006/10/30		UNIT	mm	
3	Z11233	Y.H	2011/05/30	E.K	CHK.	DATE	SIZE	A3		
REVISION RECORD					E.Kawabe	2006/10/30	20429	8	1/5	8

ITEMS	SPECIFICATION
APPLICABLE CONNECTOR PART NO.	20428-001E
RATING VOLTAGE	60 V AC (R.M.S)
RATING FREQUENCY	DC~6 GHz
OPERATING TEMPERATURE	233~363 K (-40°C~+90°C)
VSWR	1.3 MAX. AT 0.1~3 GHz, 1.4 MAX. AT 3~6 GHz
MAIN CONTACT RESISTANCE	INITIAL : 20 mohm MAX. / AFTER TEST : $\Delta$ R 20 mohm MAX.
GROUND CONTACT RESISTANCE	INITIAL : 20 mohm MAX. / AFTER TEST : $\Delta$ R 20 mohm MAX.
INSULATION RESISTANCE	INITIAL : 500 Mohm MIN. / AFTER TEST : 100 Mohm MIN.
DIELECTRIC WITHSTANDING VOLTAGE	AC 200 V 1min
DURABILITY	30 CYCLES
TOTAL MATING FORCE (INITIAL / AFTER TEST)	15 N MAX. / 15 N MAX.
TOTAL UNMATING FORCE (INITIAL / AFTER TEST)	4 N MIN. / 2 N MIN.
PRODUCT SPECIFICATION	PRS-1350
TEST REPORT	TR-07031
PACKING STANDARD	300-532
INSTRUCTION MANUAL	HIM-11001
APPEARANCE CRITERIA NO.	QLS-A***

ANGLE	$\pm 2^\circ$	6 OVER 30 MAX.	$\pm 0.3$	PROJECTION 	SERIES No. <b>R2</b>	CUSTOMER COPY
6 MAX.	$\pm 0.2$	30 OVER 120 MAX.	$\pm 0.5$			
GENERAL TOLERANCE.				TITLE <b>MHF®-A13 RECEPTACLE</b>	SCALE -	UNIT <b>mm</b>
DWG.	DATE					
CHK.	DATE					
APP.	DATE					
				DWG. No.	<b>20429</b>	SIZE <b>A3</b>
				SHEET <b>2/5</b>		REV. <b>8</b>

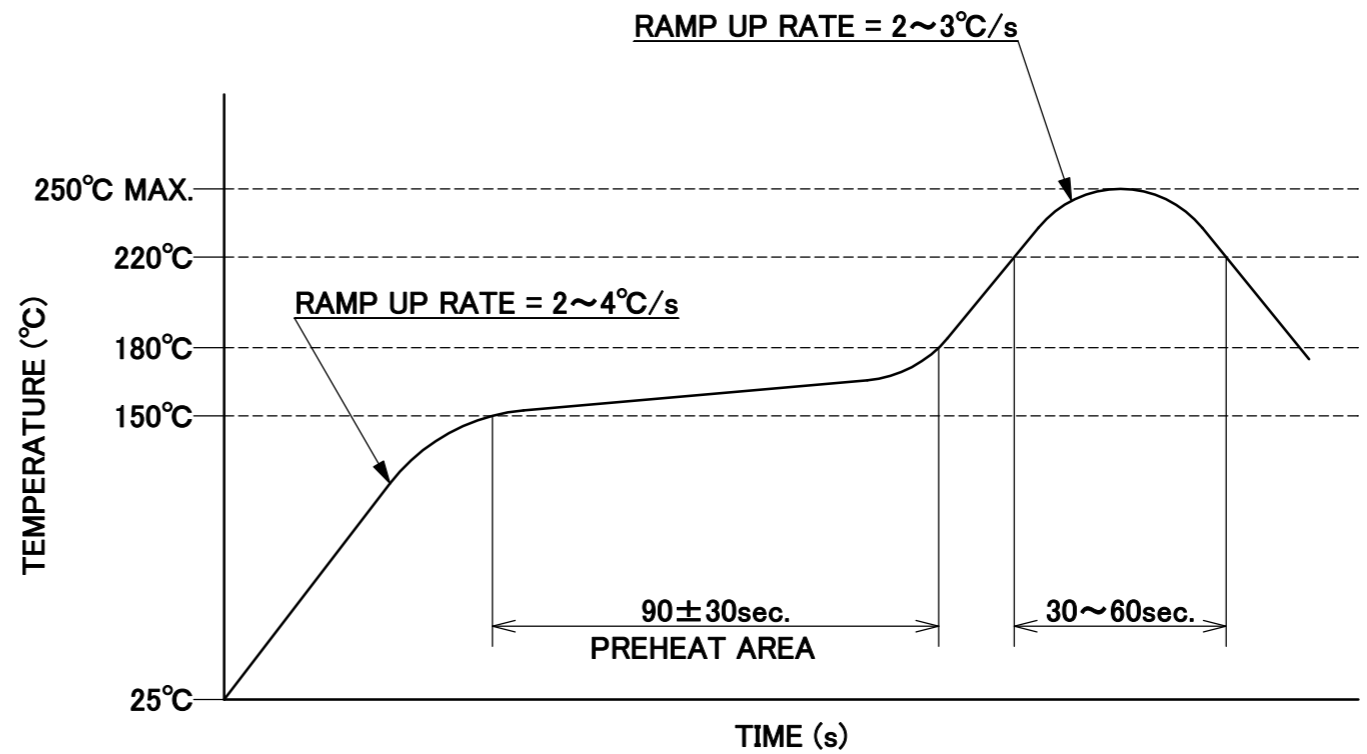


RECOMMENDED FOOTPRINT PATTERN



CONNECTOR ON RECOMMENDED FOOTPRINT PATTERN

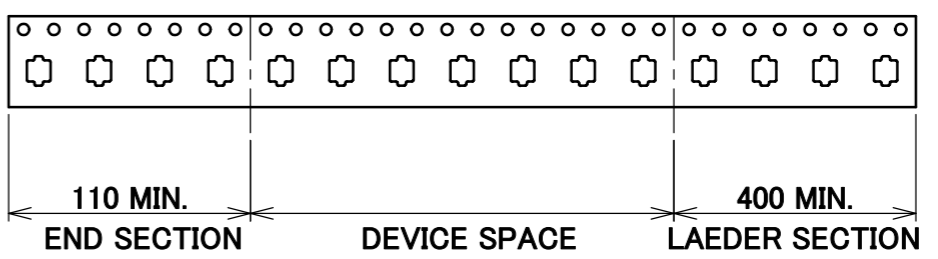
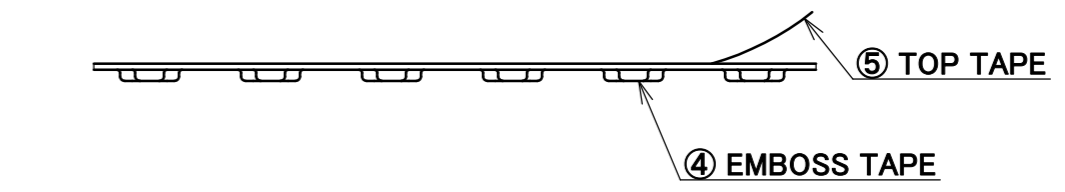
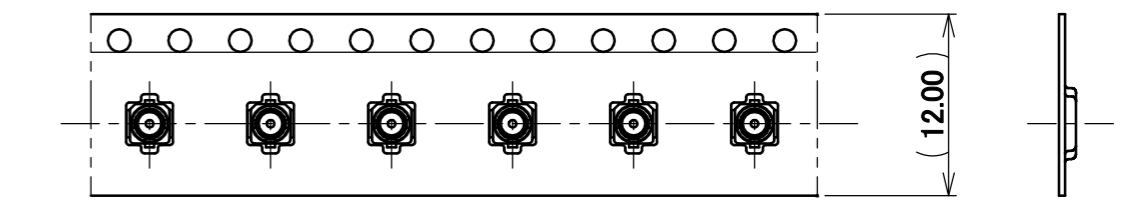
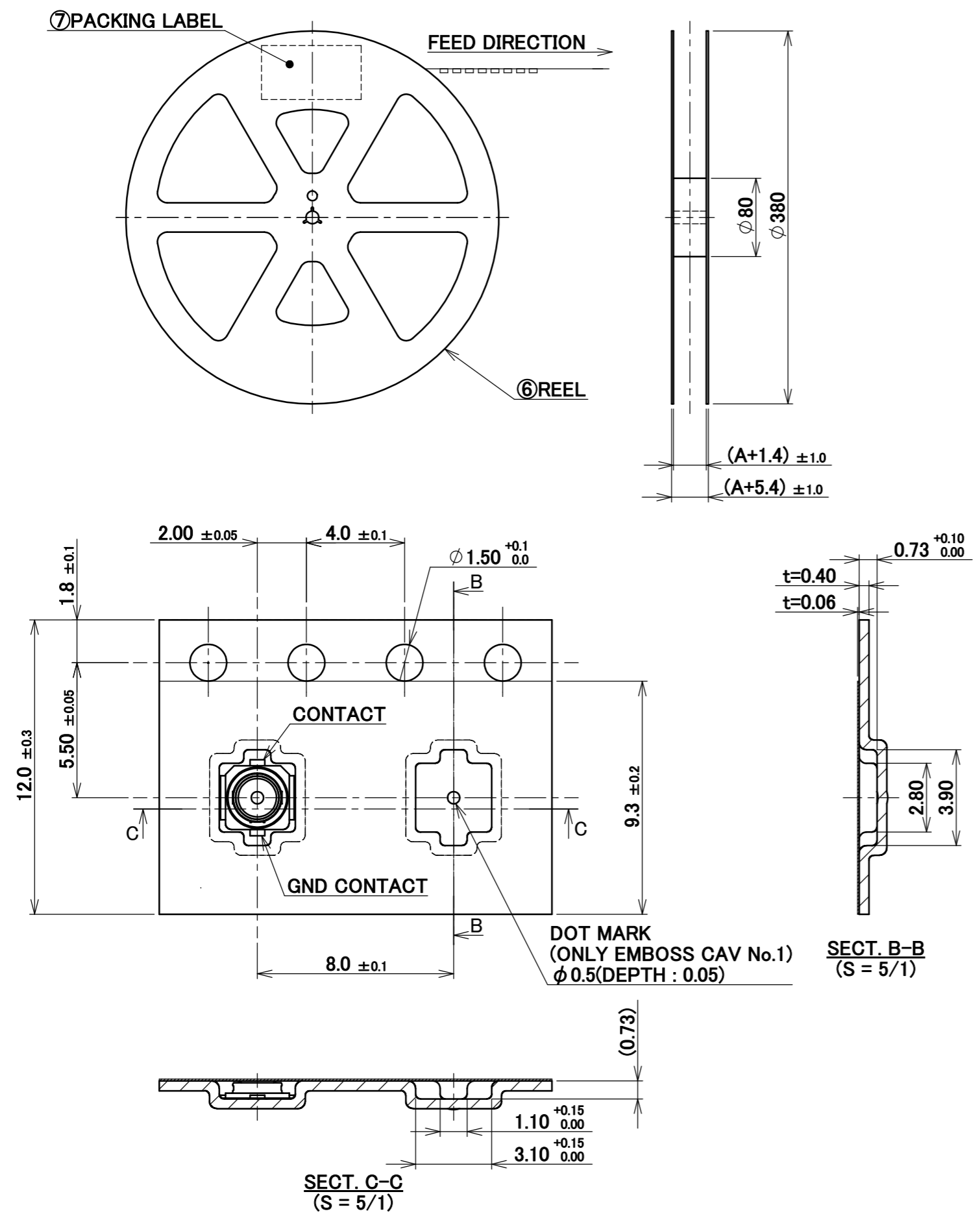
NOTES  
3. CUT OUT PROHIBITION AREA



REFLOW TEMPERATURE PROFILE  
SENJU METAL INDUSTRY CO., LTD. : M705-SHF(Sn96.5 Ag3.0 Cu0.5)

ANGLE	±2°	6 OVER 30 MAX.	±0.3	PROJECTION ⊕	SERIES No. R2	CUSTOMER COPY	
6 MAX.	±0.2	30 OVER 120 MAX.	±0.5				
GENERAL TOLERANCE.				TITLE		SCALE	I-PEX
DWG.	DATE			MHF®-A13 RECEPTACLE		10:1	
CHK.	DATE			DWG. No.		UNIT mm	
APP.	DATE			20429		SIZE A3	
						SHEET	3/5
						REV.	8

PART NO.	A	QTY. PER EMBOSS REEL (PIECES / REEL)	QTY. PER PACKING CARTON (REELS / CARTON)
20429-001E	12	5,000 / REEL	8 / CARTON = 40,000 PIECES



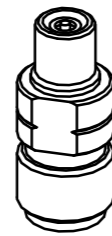
- NOTES.
- TAPING SPECIFICATION FOLLOWS JIS C 0806 (IEC 60286-3).
  - MAKE EMPTY SECTION OF LEADER AND END ON EACH END OF THE TAPE.
  - TOP TAPE SHALL NOT STICK OUT FROM EMBOSS TAPE.
  - TOP TAPE SHALL NOT COVER FEED HOLE.

NO.	DESCRIPTION	MATERIAL	FINISH, REMARKS
7	PACKING LABEL	-	-
6	REEL	PS	ANTI-STATIC TYPE
5	TOP TAPE	PET t=0.061	ANTI-STATIC TYPE
4	EMBOSS TAPE	PS t=0.4	ANTI-STATIC TYPE

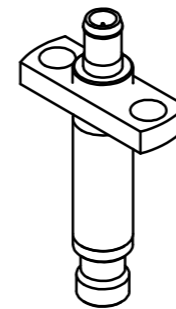
ANGLE	±2°	6 OVER 30 MAX.	±0.3	PROJECTION ⊕	SERIES No. R2	CUSTOMER COPY
6 MAX.	±0.2	30 OVER 120 MAX.	±0.5			
GENERAL TOLERANCE.				TITLE MHF®-A13 RECEPTACLE	DWG. No. 20429	SCALE
DWG.	DATE					-
CHK.	DATE					UNIT
APP.	DATE					mm
				SIZE	A3	SHEET 4/5
						REV. 8



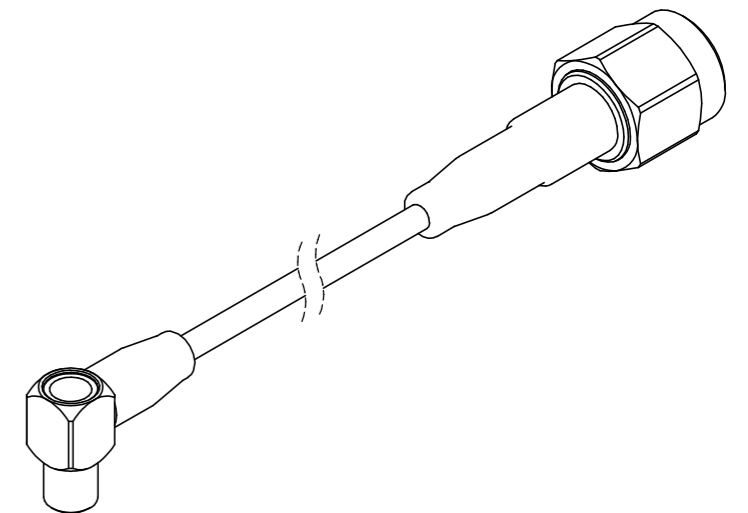
MHF-A13 SMA ADAPTOR  
PART NO. 90413-002



MHF-A13 SMA ADAPTOR HIGH CYCLE TYPE  
PART NO. 90416-001



4.5MM HIGH CYCLE TEST PROBE FOR MHF/MHF A  
PART NO. 90575-0001



4.5MM HIGH CYCLE TEST PROBE CABLE ASS'Y  
PART NO. 90577-\*\*\*\*

\* 90575-0001 AND 90577-\*\*\*\* SHOULD BE USED TOGETHER.

ANGLE	±2°	6 OVER 30 MAX.	±0.3	PROJECTION ⊕	SERIES No. R2	CUSTOMER COPY
6 MAX.	±0.2	30 OVER 120 MAX.	±0.5			
GENERAL TOLERANCE.				TITLE		SCALE
DWG.	DATE			MHF®-A13 RECEPTACLE		2:1
CHK.	DATE					UNIT
APP.	DATE					mm
				DWG. No.	20429	SIZE
						A3
						SHEET 5/5
						REV. 8