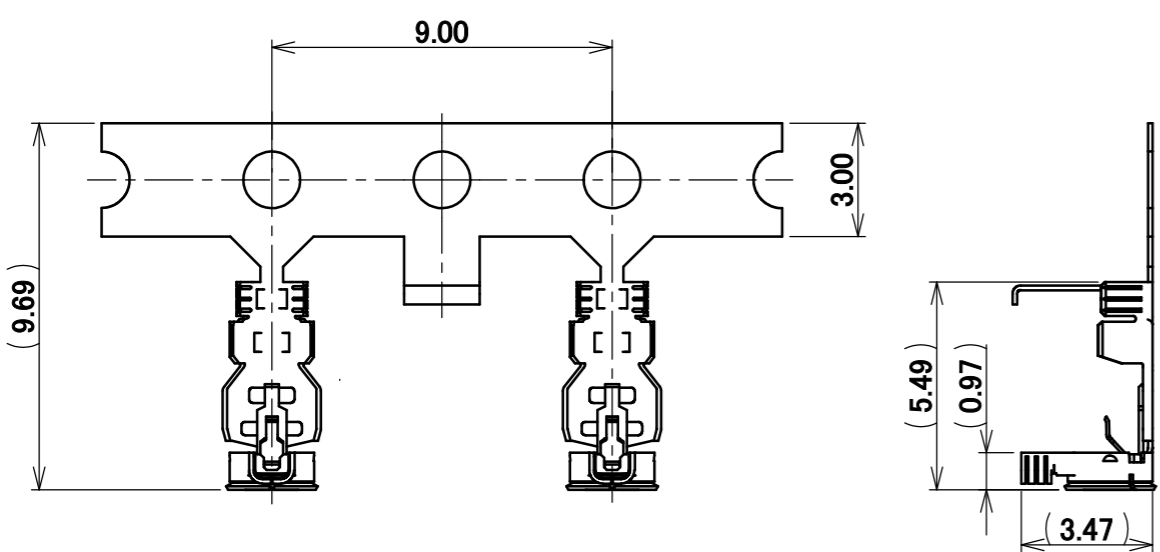
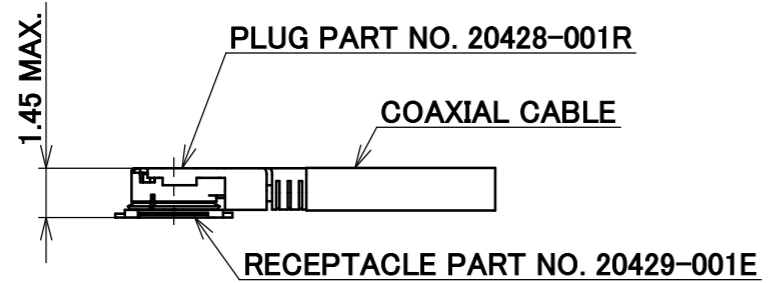
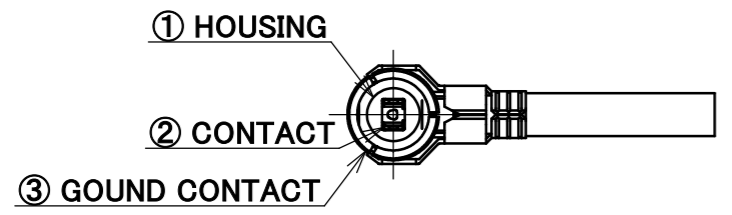
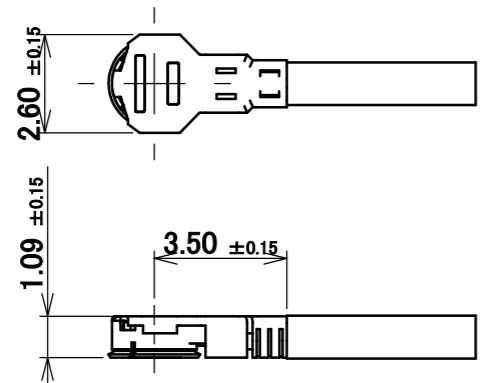
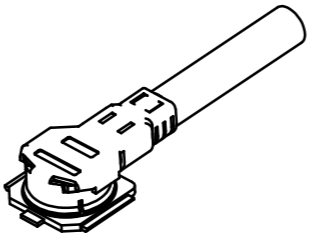
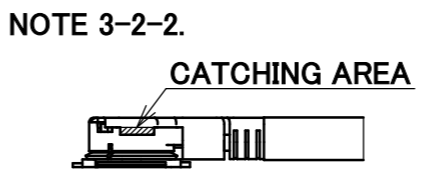
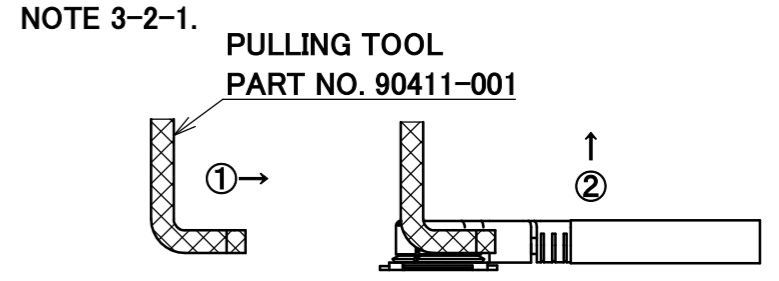
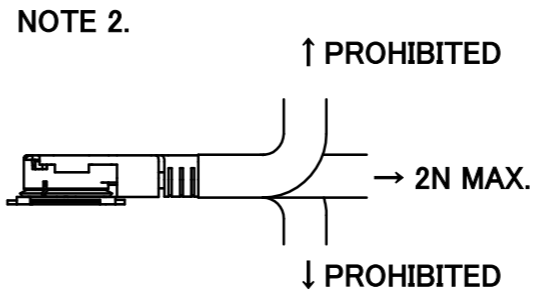


PART NO.
20428-001R



NOTES

1. APPLICABLE CONNECTOR: 20429-001E
2. PERMISSIBLE LOAD OF CABLE AT MATING.
3. SUGGESTIONS FOR MATING & UNMATING OPERATION.
 - 3-1. MATING
PLEASE MATE THE CONNECTOR STRAIGHTLY TO VERTICAL DIRECTION AS MUCH AS POSSIBLE, ADJUSTING THE MATING AXIS OF PLUG AND RECEPTACLE. AS EXCESSIVE SLANT ANGLE MATING MAY BREAK THE CONNECTOR, PLEASE DON'T DO IT.
 - 3-2. UNMATING
 - 3-2-1.
IN CASE OF UNMATING BY PULLING TOOL.
PLEASE USE THE PULLING TOOL AS THE FOLLOWING DRAWING, AND PLEASE PULL PLUG TO VERTICAL DIRECTION AS DIRECTLY AS POSSIBLE.
 - 3-2-2.
IN CASE OF UNMATING DIRECTLY BY HAND.
PLEASE CATCH THE CATCHING AREA OF PLUG, AND PLEASE PULL PLUG TO VERTICAL DIRECTION AS DIRECTLY AS POSSIBLE.



NO.	DESCRIPTION	MATERIAL	FINISH , REMARKS
3	GROUND CONTACT	PHOSPHOR BRONZE	ALL OVER Ni 1.00 μ m MIN. CONTACT PART Au 0.05 μ m MIN.
2	CONTACT	PHOSPHOR BRONZE	ALL OVER Ni 1.00 μ m MIN. CONTACT PART Au 0.1 μ m MIN.
1	HOUSING	PBT	UL94V-0, BLACK

REV.	ECN	BY	DATE	APP.	APP.	DATE	DWG. No.	SIZE	SHEET	REV.
5	Z181718	Y.I	2018/12/27	Ken	ANGLE	±2°	6 OVER 30 MAX.	±0.3		
4	Z12764	H.M	2012/09/06	Tom	6 MAX.	±0.2	30 OVER 120 MAX.	±0.5		
3	Z07315	TAK	2007/06/28	E.K	GENERAL TOLERANCE.					
2	Z07295	TAK	2007/06/18	E.K	DWG.	DATE	PROJECTION SERIES No. R3 TITLE MHF®-A13 PLUG SCALE 5:1 UNIT mm I-PEX			
1	Z07062	Y.H	2007/02/06	E.K	T.Hirakawa	2006/10/30				
0	Z06586	TAK	2006/10/30		CHK.	DATE				
					APP.	DATE	DWG. No. 20428	A3	1/5	5

ITEMS	SPECIFICATION
APPLICABLE CONNECTOR PART No.	20429-001R
RATING VOLTAGE	60 V AC (R.M.S)
RATING FREQUENCY	DC~6 GHz
OPERATING TEMPERATURE	233~363 K (-40°C~+90°C)
VSWR	1.3 MAX. AT 0.1~3 GHz, 1.5 MAX. AT 3~6 GHz
MAIN CONTACT RESISTANCE	INITIAL : 20 mohm MAX. / AFTER TEST : Δ R 20 mohm MAX.
GROUND CONTACT RESISTANCE	INITIAL : 20 mohm MAX. / AFTER TEST : Δ R 20 mohm MAX.
INSULATION RESISTANCE	INITIAL : 500 Mohm MIN. / AFTER TEST : 100 Mohm MIN.
DIELECTRIC WITHSTANDING VOLTAGE	AC 200 V 1min
DURABILITY	30 CYCLES
TOTAL MATING FORCE (INITIAL / AFTER TEST)	15 N MAX. / 15 N MAX.
TOTAL UNMATING FORCE (INITIAL / AFTER TEST)	4 N MIN. / 2 N MIN.
CRIMP STRENGTH	8 N MIN.
PRODUCT SPECIFICATION	PRS-1350
TEST REPORT	TR-07031
PACKING STANDARD	300-587
INSTRUCTION MANUAL	HIM-11001

ANGLE	$\pm 2^\circ$	6 OVER 30 MAX.	± 0.3	PROJECTION 	SERIES No. R3	CUSTOMER COPY
	6 MAX.	± 0.2	30 OVER 120 MAX.			
GENERAL TOLERANCE.				TITLE MHF[®]-A13 PLUG	SCALE -	UNIT mm
DWG.	DATE					
CHK.	DATE					
APP.	DATE					
				DWG. No.	20428	SIZE A3
				SHEET	2/5	REV. 5

PART NO.	20428-001R	
APPLICABLE CABLE NOMINAL DIMENSION		
INNER CONDUCTOR SILVER PLATING DIELECTRIC CORE OUTER CONDUCTOR TIN PLATING JACKET	MUST NOT USE SOLDER COATED INNER CONDUCTOR AND OUTER CONDUCTOR.	
BRAID SHIELD OF OUTER CONDUCTOR	SINGLE	
PART NO. OF SEMI AUTO TERMINATION MACHINE	90420-013 (SEMI-AUTO)	
CRIMP HEIGHT		
	USE FOR POINT MICROMETER. CH-1 (i-Fit® PART) : 1.055~1.105	USE FOR POINT MICROMETER. CH-2 (JACKET PART) : 1.06~1.13
BARREL GAP		

NOTES

4. APPLICABLE CABLE

4-1. DISCRPTION

INNER CONDUCTOR: AWG#32 (7/0.08)

SILVER PLATING ANNEALED COPPER WIRE OR SILVER PLATING TIN-COPPER ALLOY.

* MUST NOT USE SOLDER COATED INNER CONDUCTOR.

DIELECTRIC CORE: FLURO-PLASTICS

DIAMETER 0.68 (+0.04/-0.02)MM,

NOMINAL THICKNESS 0.22MM.

OUTER CONDUCTOR: 16/4/0.05

NOMINAL DIAMATER 0.93MM, SILVER PLATING ANNEALED COPPER WIRE.

* MUST NOT USE SOLDER COATED OUTER CONDUCTOR.

JACKET: FLURO-PLASTICS

DIAMETER 1.13 (+0.08/-0.05)MM, NOMINAL THICKNESS 0.1MM.

4-2. REQUIREMENTS

CHARACTERISTIC IMPEDANCE: 50 (+2/-2)OHM BY TDR METHOD

NOMINAL CAPACITANCE (REFER VALUE): 97 PF/M

CONDUCTOR RESISTANCE OF INNER CONDUCTOR AT 293K (REFERENCEVALU)

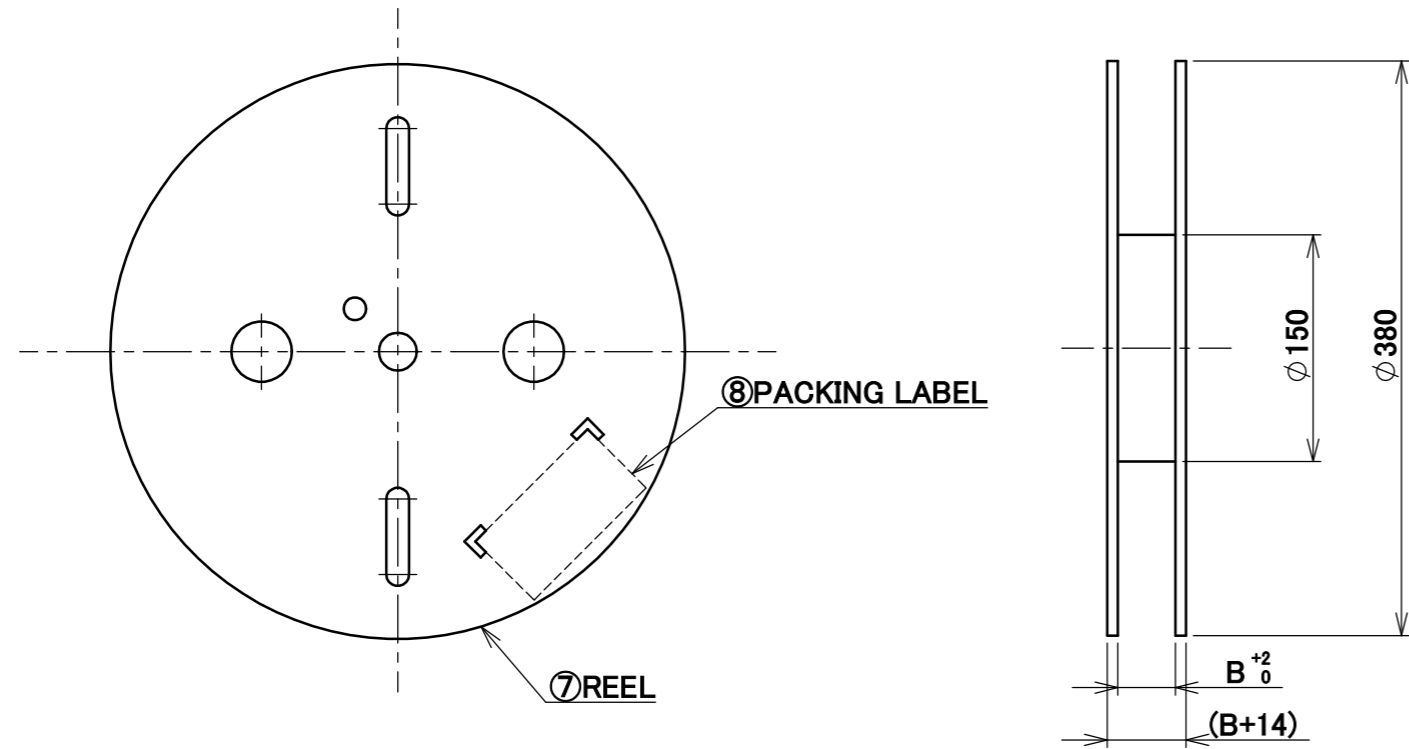
: 520 OHM/KM

INSULATION RESISTANCE: 1500 MEGA-OHM/KM MIN.

DILECTRIC WITHSTANCE VOLTAGE: NO BREAKDOWN AT AC100V FOR 1 MINUTES.

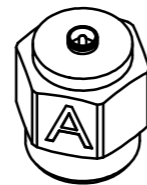
ANGLE	±2°	6 OVER 30 MAX.	±0.3	PROJECTION	SERIES No.	CUSTOMER COPY
	6 MAX.	±0.2	30 OVER 120 MAX.	±0.5	R3	
GENERAL TOLERANCE.				TITLE	SCALE	I-PEX
DWG.	DATE			MHF®-A13 PLUG	-	
CHK.	DATE				mm	
APP.	DATE			DWG. No.	SIZE	
				20428	A3	SHEET 3/5 REV. 5

PART NO.	B	QTY. PER EMBOSS REEL (PIECES / REEL)	QTY. PER PACKING CARTON (REELS / CARTON)
20428-001R	16	2,000 / REEL	5 / CARTON = 10,000 PIECES

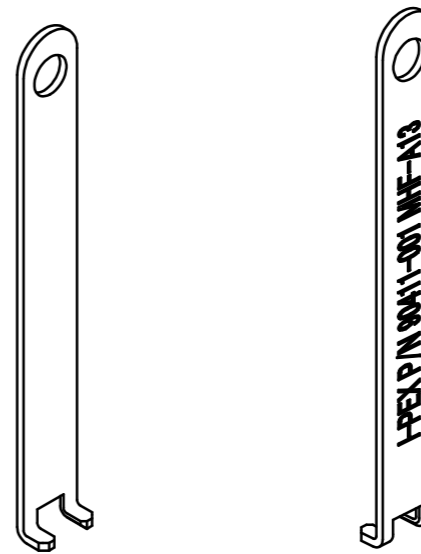


5	PACKING LABEL	-	-
4	REEL	CB	-
NO.	DESCRIPTION	MATERIAL	FINISH , REMARKS

ANGLE	$\pm 2^\circ$	6 OVER 30 MAX.	± 0.3	PROJECTION 	SERIES No. R3	CUSTOMER COPY
6 MAX.	± 0.2	30 OVER 120 MAX.	± 0.5			
GENERAL TOLERANCE.				TITLE MHF [®] -A13 PLUG	SCALE -	UNIT mm
DWG.	DATE					
CHK.	DATE					
APP.	DATE					
				DWG. No.	20428	SIZE A3
				SHEET 4/5		REV. 5



MHF-A13 SMA ADAPTOR
PART NO. 90413-001



MHF-A13 PULLING TOOL
PART NO. 90411-001

ANGLE	±2°	6 OVER 30 MAX.	±0.3	PROJECTION 	SERIES No. R3	CUSTOMER COPY		
6 MAX.	±0.2	30 OVER 120 MAX.	±0.5					
GENERAL TOLERANCE.				TITLE MHF®-A13 PLUG	SCALE 2:1	I-PEX		
DWG.	DATE							UNIT mm
CHK.	DATE							SIZE A3
APP.	DATE							DWG. No. 20428