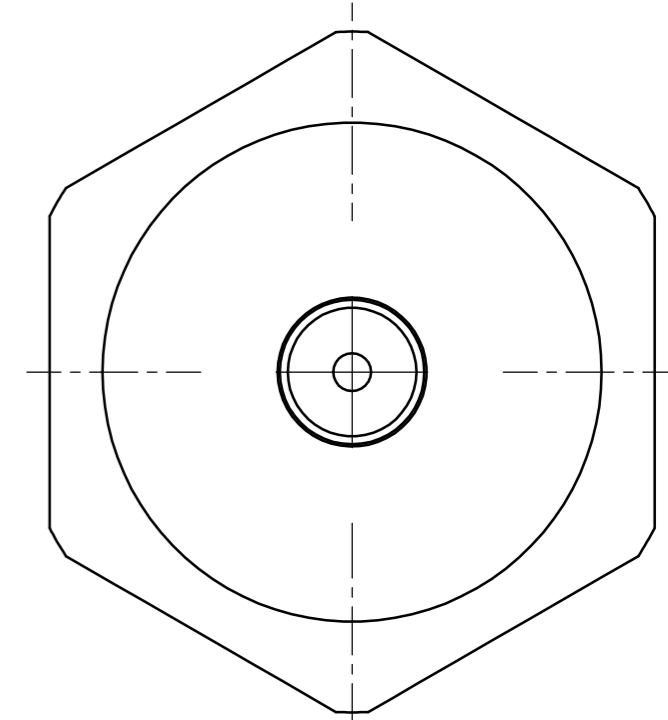
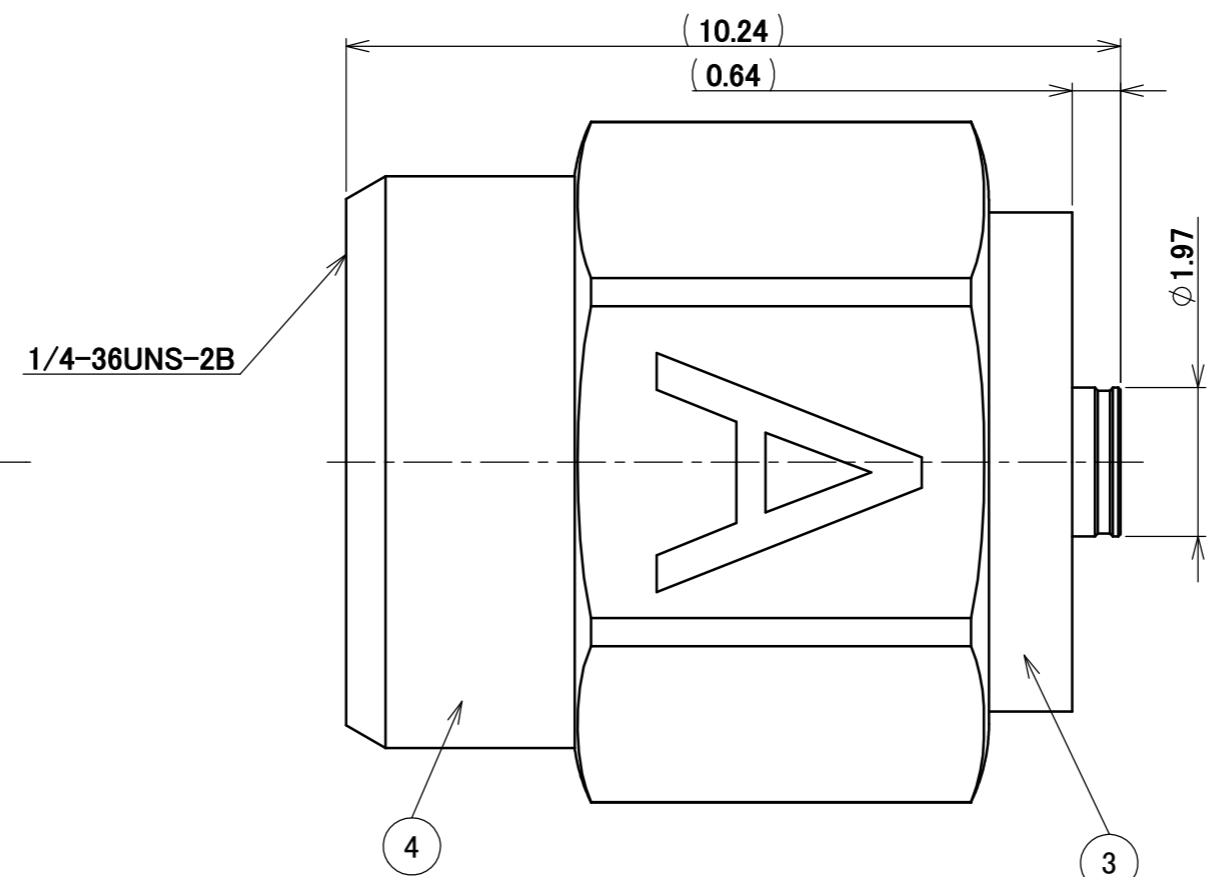
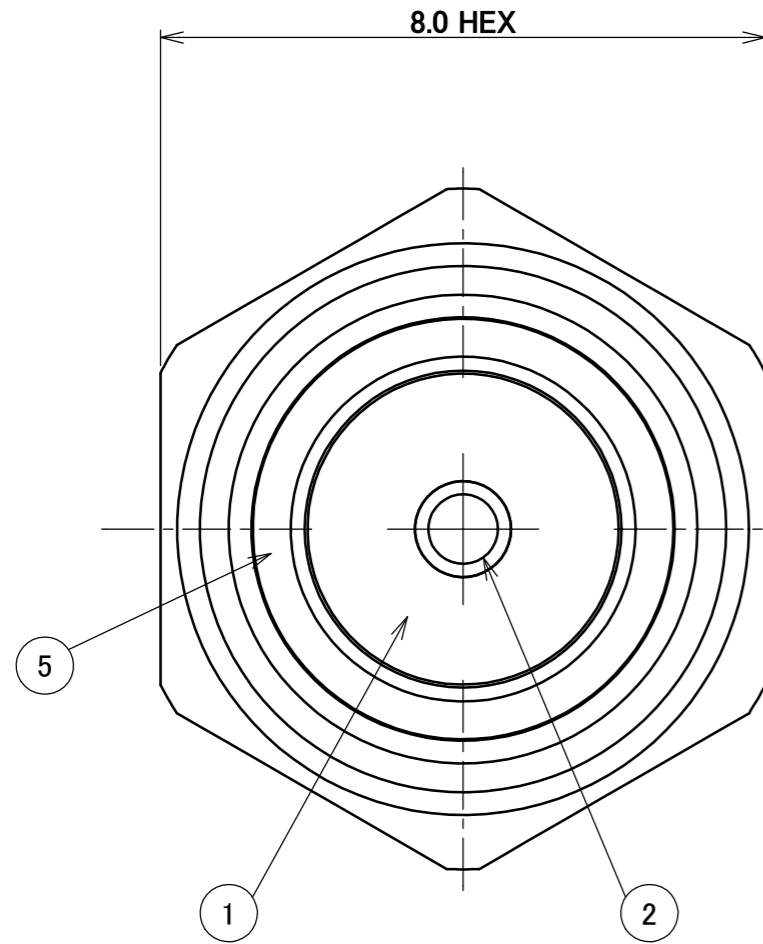
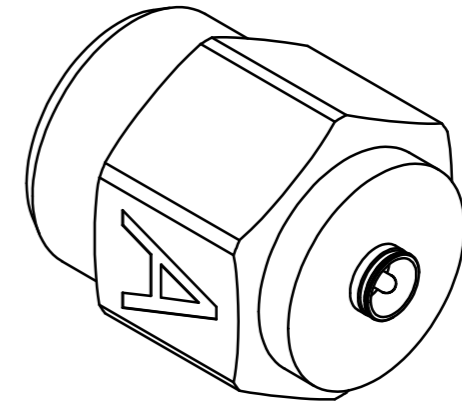


PART NO.

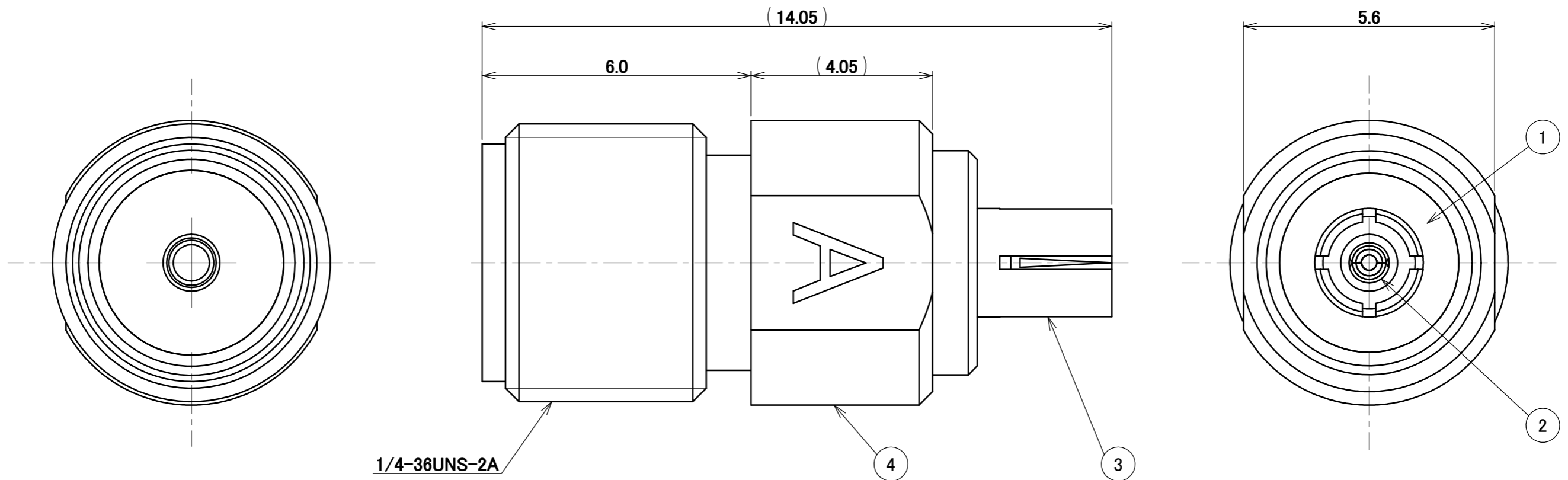
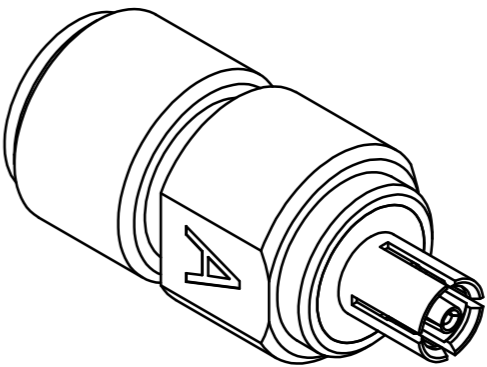
90413-001



5	GASKET	RUBBER			
4	NUT	STAINLESS STEEL	PASSIVIATION		
3	SHELL	STAINLESS STEEL	Au 0.3 μm MIN. OVER Ni 2.0 μm MIN.		
2	CONTACT	BRASS	Au 1.0 μm MIN. OVER Ni 2.0 μm MIN.		
1	INSULATOR	FLUORINE PLASTICS			
NO.	DESCRIPTION	MATERIAL	FINISH, REMARKS		
		ANGLE ±2° 6 OVER 30 MAX. ±0.3 6 MAX. ±0.2 30 OVER 120 MAX. ±0.5	PROJECTION SERIES No. R0		
3	Z190666 K.I 2019/05/20 Y.H	GENERAL TOLERANCE.	TITLE MHF®-A SMA ADAPTER SCALE 10:1 UNIT mm SIZE A3 SHEET 1/3 REV. 3		
2	Z09311 Y.H 2009/07/09 E.K	DWG. Y.Hashimoto DATE 2007/05/16			
1	Z07238 Y.H 2007/05/16 E.K	CHK. DATE			
0	Z06619 Y.H 2006/11/15				
REV.	ECN	BY	DATE	APP. E.Kawabe DATE 2007/05/17	DWG. No. 90413

PART NO.

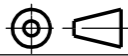
90413-002



1/4-36UNS-2A

4	SHELL	STAINLESS STEEL	PASSIVIATION							
3	OUTER CONTACT	BERYLLIUM COPPER	Au 0.3 μ m MIN. OVER Ni 2.0 μ m MIN.							
2	INNER CONTACT	BERYLLIUM COPPER	Au 1.0 μ m MIN. OVER Ni 2.0 μ m MIN.							
1	INSULATOR	FLUORINE PLASTICS								
NO.	DESCRIPTION	MATERIAL	FINISH , REMARKS							
		ANGLE $\pm 2^\circ$ 6 OVER 30 MAX. ± 0.3	PROJECTION							
		6 MAX. ± 0.2 30 OVER 120 MAX. ± 0.5	SERIES No. R0							
		GENERAL TOLERANCE.	CUSTOMER COPY							
		DWG. DATE	TITLE MHF [®] -A SMA ADAPTER							
		CHK. DATE								
REV.	ECN	BY	DATE	APP.	APP.	DATE	DWG. No. 90413	SCALE 10:1 UNIT mm SIZE A3	SHEET 2/3	REV. 3
REVISION RECORD										

ITEMS	SPECIFICATION	
PART No.	90413-001	90413-002
APPLICABLE CONNECTOR PART No.	20428-001R	20429-001E
RATING FREQUENCY	DC~6GHz	
VSWR	1.3 MAX. AT DC~3GHz, 1.5 MAX. AT 3~6GHz	
INSULATION RESISTANCE	500 Mohm MIN. (DC100V)	
DIELECTRIC WITHSTANDING VOLTAGE	AC200V 1min	
DURABILITY	3,000 CYCLES	500 CYCLES
PRODUCT SPECIFICATION	-	-
TEST REPORT	-	-
PACKING STANDARD	PST-12033	
INSTRUCTION MANUAL	-	-

ANGLE	±2°	6 OVER 30 MAX.	±0.3	PROJECTION 	SERIES No. R0	CUSTOMER COPY
6 MAX.	±0.2	30 OVER 120 MAX.	±0.5			
GENERAL TOLERANCE.				TITLE MHF®-A SMA ADAPTER	SCALE -	UNIT mm
DWG.	DATE					
CHK.	DATE					
APP.	DATE					
				DWG. No.	90413	SIZE A3
				SHEET 3/3		REV. 3