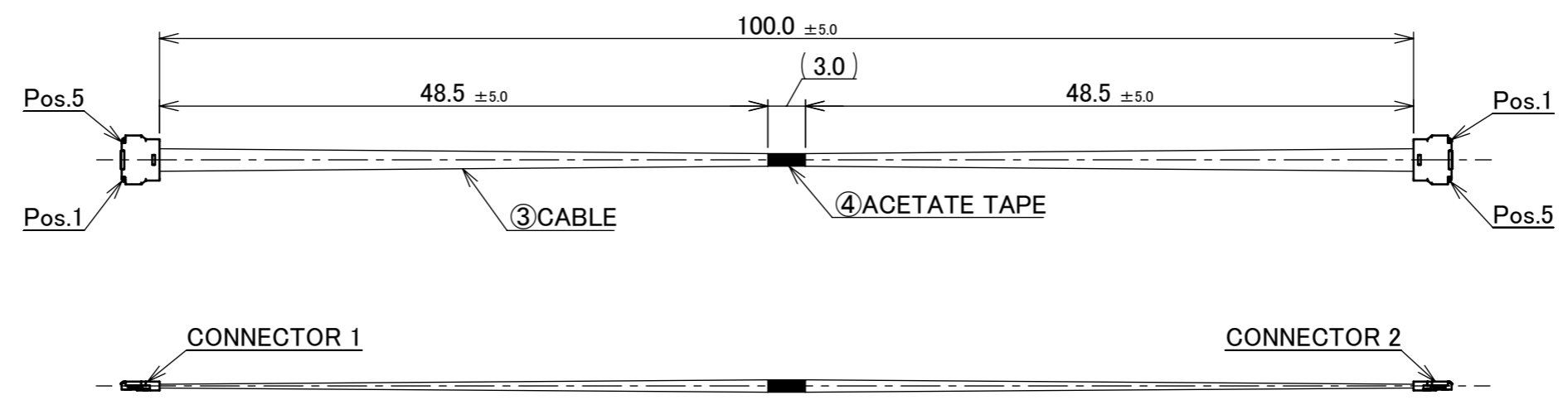
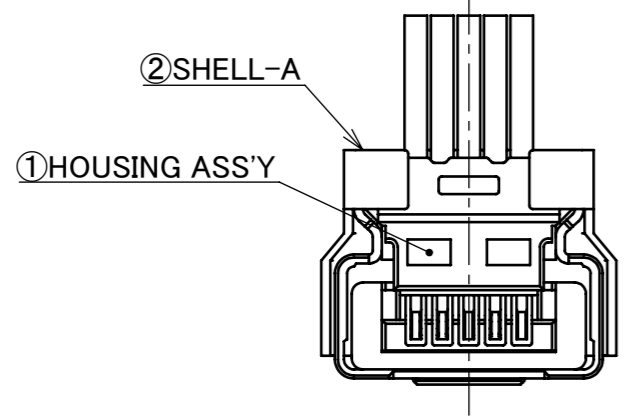
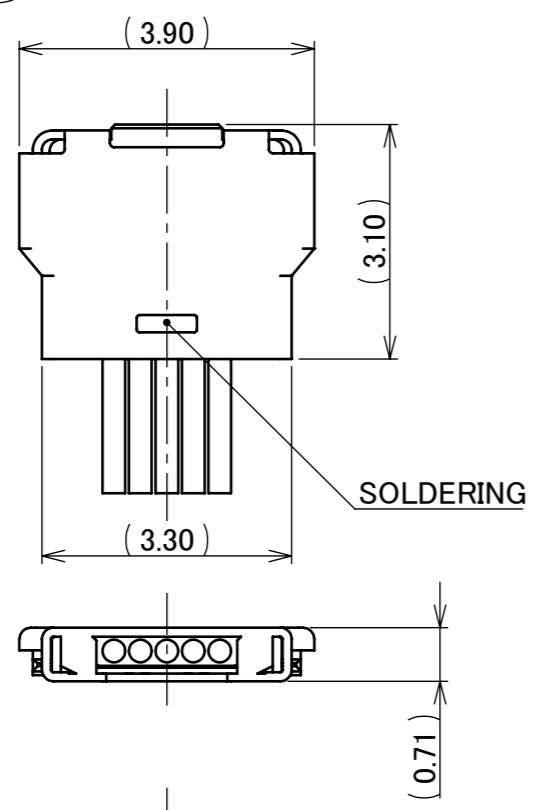


PART No.  
81426-100B-03-D



CONNECTOR 1&2  
(S=10/1)



NOTE.

1. TO HANDLE THIS CONNECTOR YOU MUST READ AND FOLLOW THE INSTRUCTION MANUAL BELOW.  
I-PEX INSTRUCTION MANUAL No.HIM-18037.
2. ELECTRIC CHARACTERISTICS  
WITHSTANDVOLTAGE : AC 200V LEAKAGE CURRENT 2.0mA MAX.  
INSULATION RESISTANCE : 50MΩ MIN. DC 100V
3. THE OPERATING TEMPERATURE OF THE HARNESS : 80°C MAX.

PIN ASSIGNMENT		
CONNECTOR 1	CABLE	CONNECTOR 2
5	MICRO-COAXIAL CABLE AWG#42 50 OHM, BLUE	1
4	MICRO-COAXIAL CABLE AWG#42 50 OHM, BLUE	2
3	MICRO-COAXIAL CABLE AWG#42 50 OHM, BLUE	3
2	MICRO-COAXIAL CABLE AWG#42 50 OHM, BLUE	4
1	MICRO-COAXIAL CABLE AWG#42 50 OHM, BLUE	5

NO.	DESCRIPTION	PARTS NO.	QTY	REMARKS
4	ACETATE TAPE	-	1	BLACK
3	CABLE	-	5	MICRO-COAXIAL CABLE AWG#42 50 OHM, BLUE
2	SHELL-A	3568-0051	2	CONNECTOR 1&2 CABLIN <sup>®</sup> -UY PLUG P/N : 20857-005T-01 CONNECTOR TO BE MATED : 20854-005E-02
1	HOUSING ASS'Y	20907-005E-01	2	

ANGLE	±2°	6 OVER 30 MAX.	±0.3	PROJECTION ⊕	SERIES No. IH-200016	CUSTOMER COPY	
	6 MAX.	±0.2	30 OVER 120 MAX.				±0.5
GENERAL TOLERANCE.				TITLE CABLIN <sup>®</sup> -UY 5P HARNESS	SCALE 2:1	UNIT mm	
DWG.	-	DATE	2024/07/12				
CHK.	-			DWG. No. 81426	SIZE A3	SHEET 1/1	
REV.	ECN	BY	DATE				APP.
REVISION RECORD				H.Ikari			

Confidential C

I-PEX Inc.

QKE-DFE06-02 REV.12