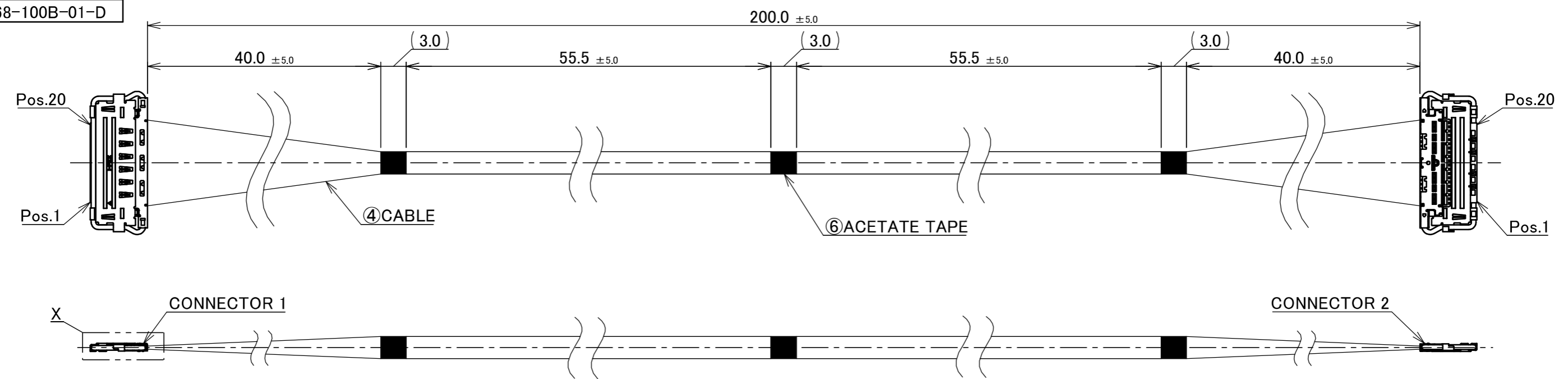
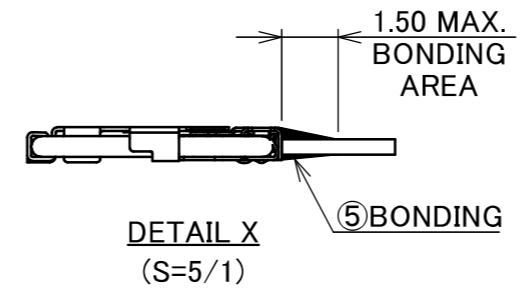
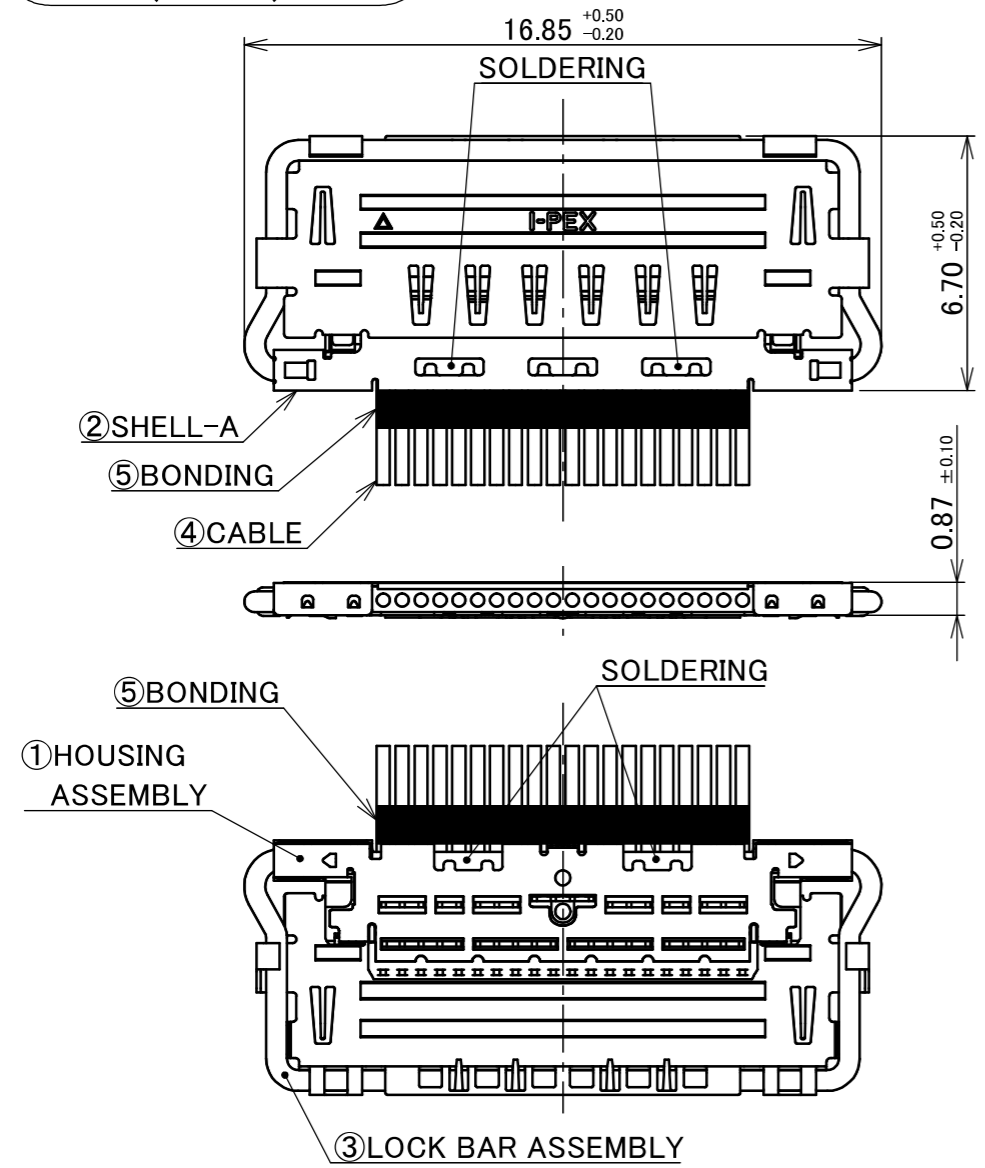


PART No.  
83068-100B-01-D



CONNECTOR 1&2  
(S=5/1)



- NOTE.
- TO HANDLE THIS CONNECTOR YOU MUST READ AND FOLLOW THE INSTRUCTION MANUAL BELOW. I-PEX INSTRUCTION MANUAL No.HIM-17015.
  - ELECTRIC CHARACTERISTICS  
WITHSTANDVOLTAGE : AC 250V LEAKAGE CURRENT 2.0mA MAX.  
INSULATION RESISTANCE : 50MΩ MIN. DC 100V
  - THE OPERATING TEMPERATURE OF THE HARNESS : 80°C MAX.
  - RATING VOLTAGE : 30V

PIN ASSIGNMENT		
CONNECTOR 1	CABLE	CONNECTOR 2
20	MICRO-COAXIAL CABLE AWG#40 50 OHM, BLUE	20
19	MICRO-COAXIAL CABLE AWG#40 50 OHM, BLUE	19
.	MICRO-COAXIAL CABLE AWG#40 50 OHM, BLUE	.
2	MICRO-COAXIAL CABLE AWG#40 50 OHM, BLUE	2
1	MICRO-COAXIAL CABLE AWG#40 50 OHM, BLUE	1

6	ACETATE TAPE	-	3	BLACK
5	BONDING	-	-	UV GLUE
4	CABLE	-	20	MICRO-COAXIAL CABLE AWG#40 50 OHM, BLUE
3	LOCK BAR ASSEMBLY	20848-020T-01	2	CONNECTOR 1 & 2
2	SHELL-A	3427-0201	2	CABLINÉ-VS II PLUG P/N : 20846-020T-01 CONNECTOR TO BE MATED : 20849-020E-01
1	HOUSING ASSEMBLY	20847-020T-01	2	
NO.	DESCRIPTION	PARTS NO.	QTY	REMARKS

ANGLE		±2°	6 OVER 30 MAX.	±0.3	PROJECTION ⊕	SERIES No. IH-200016	CUSTOMER COPY			
		6 MAX.	±0.2	30 OVER 120 MAX.				±0.5		
GENERAL TOLERANCE.					TITLE CABLINÉ®-VS II 20P HARNESS	SCALE 2:1	UNIT mm	I-PEX		
DWG.		K.Baba		DATE					2026/06/02	
CHK.		R.Takei								
0	ZM00926	K.B	2026/06/02	-						
REV.	ECN	BY	DATE	APP.	DWG. No.		83068	SIZE	SHEET	REV.
REVISION RECORD					T.Masunaga		83068	A3	1/1	0