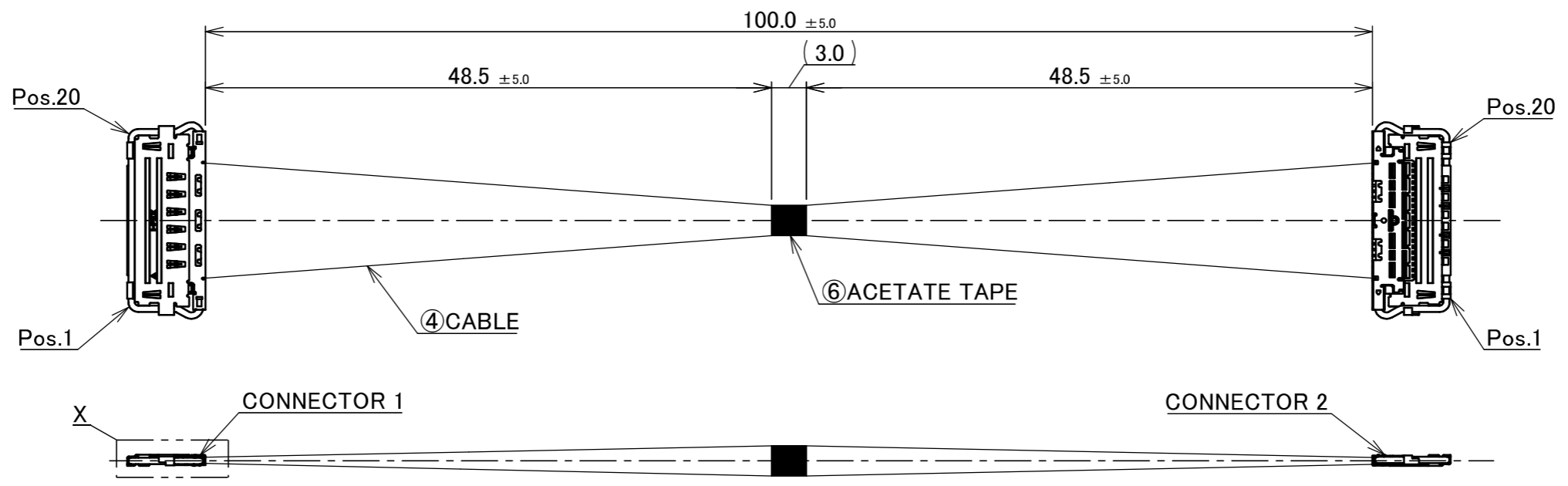
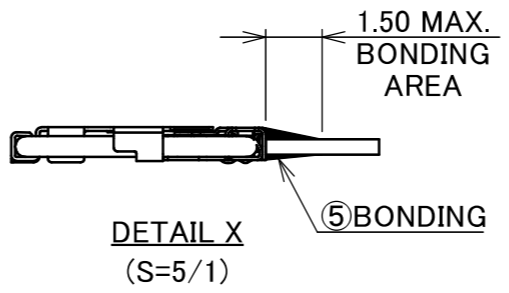
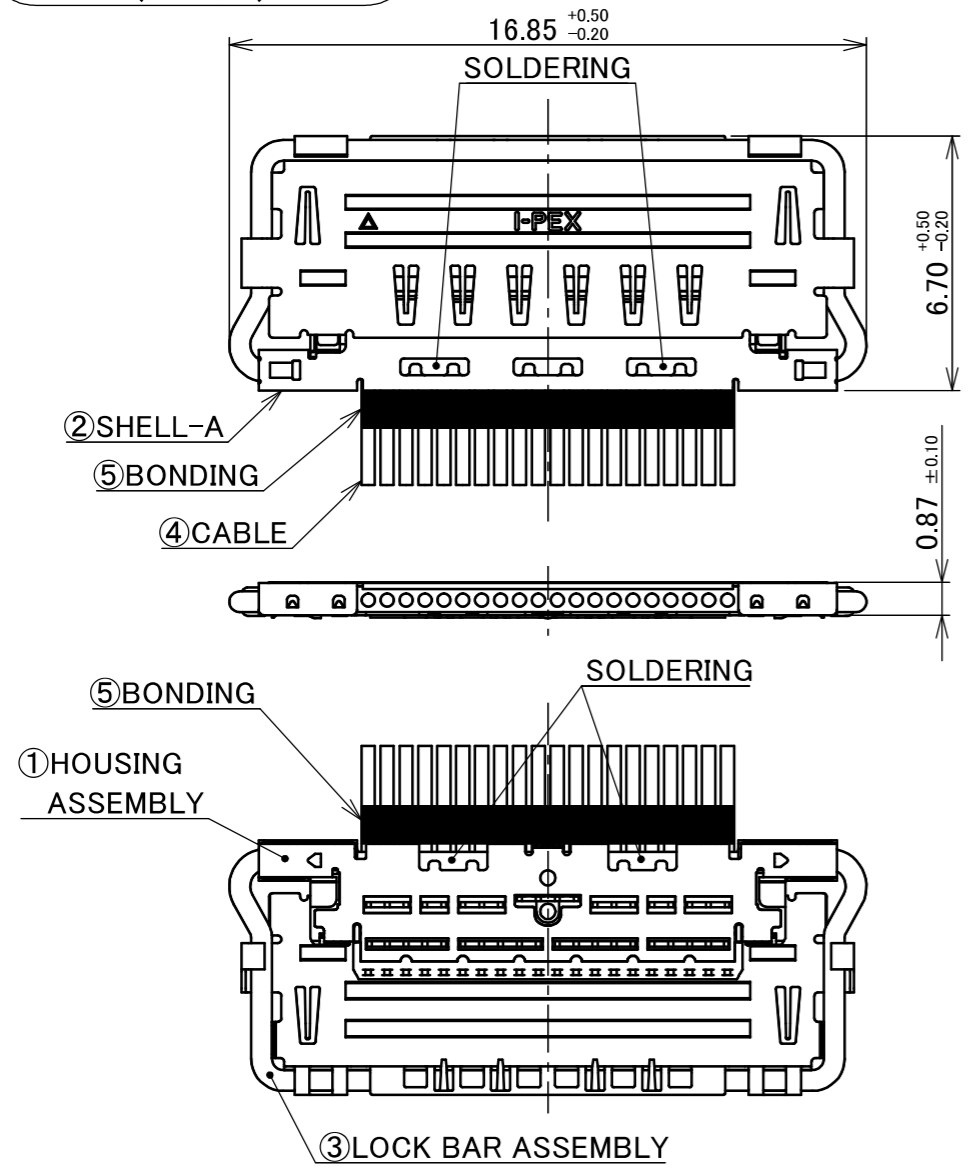


PART No.
83067-100B-01-D



**CONNECTOR 1&2
(S=5/1)**



- NOTE.
- TO HANDLE THIS CONNECTOR YOU MUST READ AND FOLLOW THE INSTRUCTION MANUAL BELOW. I-PEX INSTRUCTION MANUAL No.HIM-17015.
 - ELECTRIC CHARACTERISTICS
WITHSTANDVOLTAGE : AC 250V LEAKAGE CURRENT 2.0mA MAX.
INSULATION RESISTANCE : 50MΩ MIN. DC 100V
 - THE OPERATING TEMPERATURE OF THE HARNESS : 80°C MAX.
 - RATING VOLTAGE : 30V

PIN ASSIGNMENT		
CONNECTOR 1	CABLE	CONNECTOR 2
20	MICRO-COAXIAL CABLE AWG#40 50 OHM, BLUE	20
19	MICRO-COAXIAL CABLE AWG#40 50 OHM, BLUE	19
.	MICRO-COAXIAL CABLE AWG#40 50 OHM, BLUE	.
2	MICRO-COAXIAL CABLE AWG#40 50 OHM, BLUE	2
1	MICRO-COAXIAL CABLE AWG#40 50 OHM, BLUE	1

6	ACETATE TAPE	-	1	BLACK
5	BONDING	-	-	UV GLUE
4	CABLE	-	20	MICRO-COAXIAL CABLE AWG#40 50 OHM, BLUE
3	LOCK BAR ASSEMBLY	20848-020T-01	2	CONNECTOR 1 & 2
2	SHELL-A	3427-0201	2	CABLINE-VS II PLUG P/N : 20846-020T-01 CONNECTOR TO BE MATED : 20849-020E-01
1	HOUSING ASSEMBLY	20847-020T-01	2	
NO.	DESCRIPTION	PARTS NO.	QTY	REMARKS

				ANGLE	±2°	6 OVER 30 MAX.	±0.3	PROJECTION ⊕	SERIES No. IH_200016	CUSTOMER COPY						
					6 MAX.	±0.2	30 OVER 120 MAX.				±0.5					
				GENERAL TOLERANCE.				TITLE CABLINE®-VS II 20P HARNESS	SCALE 2:1	UNIT mm	I-PEX					
				DWG.	K.Baba		DATE					2026/06/02				
				CHK.	R.Takei											
0	ZM00926	K.B	2026/06/02	-	REVISION RECORD				DWG. No.	83067	SIZE	A3	SHEET	1/1	REV.	0

Confidential C

I-PEX Inc.

QKE-DFE06-02 REV.12