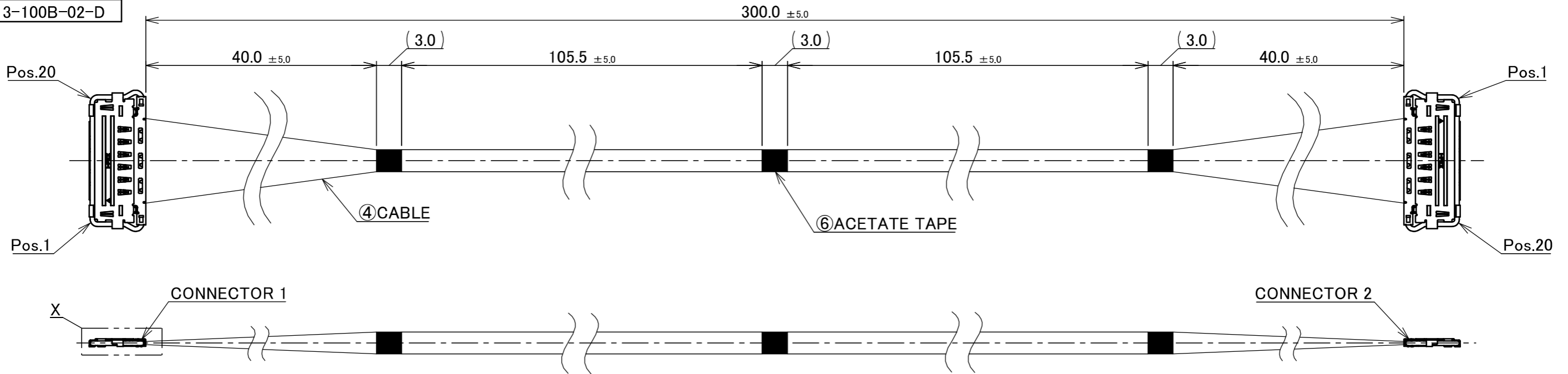
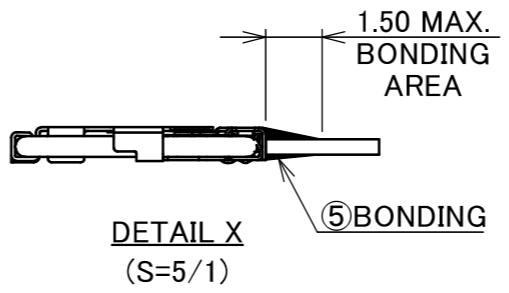
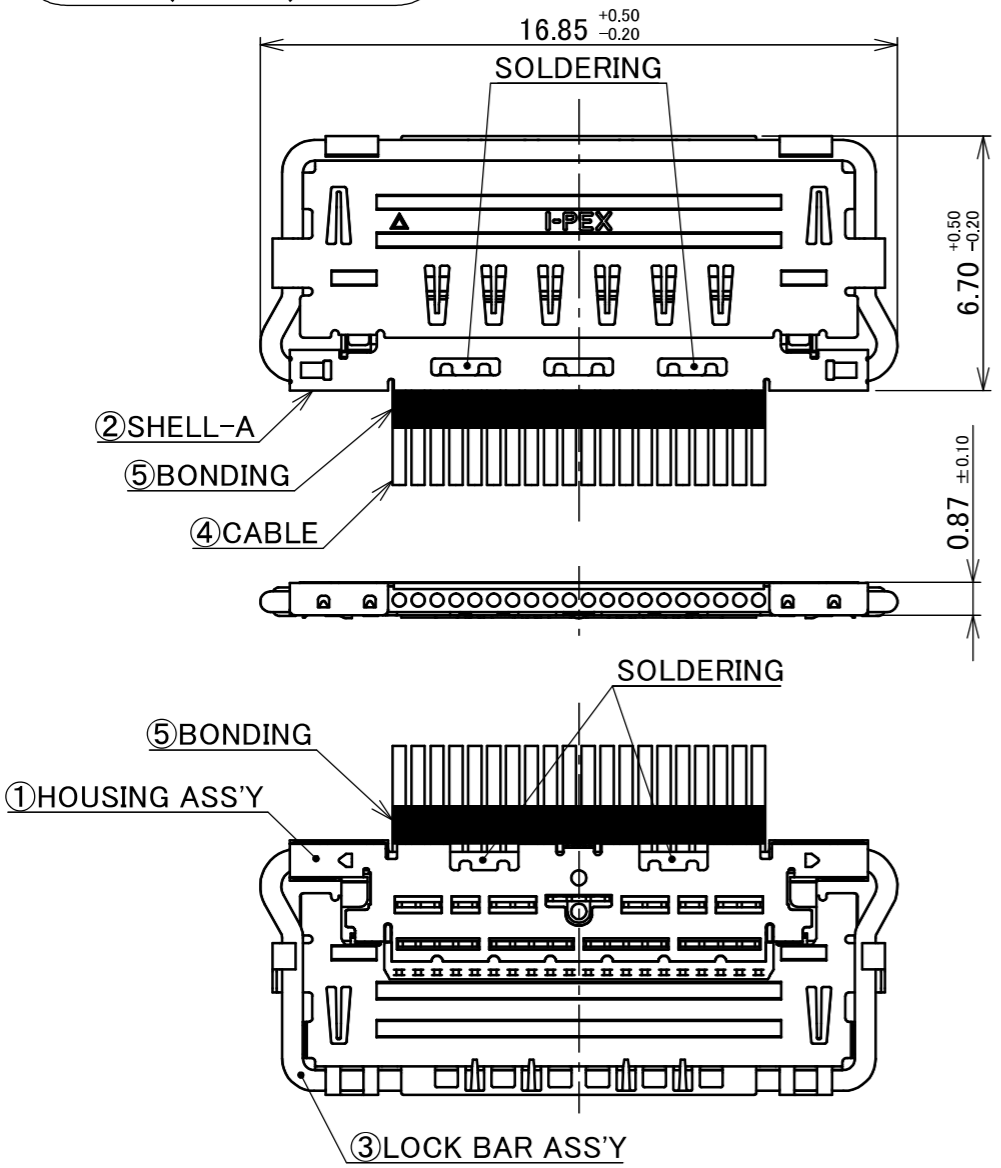


PART No.  
82913-100B-02-D



CONNECTOR 1&2  
(S=5/1)



NOTE.

- TO HANDLE THIS CONNECTOR YOU MUST READ AND FOLLOW THE INSTRUCTION MANUAL BELOW. I-PEX INSTRUCTION MANUAL No.HIM-17015.
- ELECTRIC CHARACTERISTICS  
WITHSTANDVOLTAGE : AC 250V(1SEC.) LEAKAGE CURRENT 2.0mA MAX.  
INSULATION RESISTANCE : 50MΩ MIN. DC 100V (0.5SEC.)
- THE OPERATING TEMPERATURE OF THE HARNESS : 80°C MAX.

PIN ASSIGNMENT		
CONNECTOR 1	CABLE	CONNECTOR 2
20	MICRO-COAXIAL CABLE AWG#40 50 OHM, BLUE	1
19	MICRO-COAXIAL CABLE AWG#40 50 OHM, BLUE	2
.	MICRO-COAXIAL CABLE AWG#40 50 OHM, BLUE	.
2	MICRO-COAXIAL CABLE AWG#40 50 OHM, BLUE	19
1	MICRO-COAXIAL CABLE AWG#40 50 OHM, BLUE	20

NO.	DESCRIPTION	PARTS NO.	QTY	REMARKS
6	ACETATE TAPE	-	3	BLACK
5	BONDING	-	-	UV GLUE
4	CABLE	-	20	MICRO-COAXIAL CABLE AWG#40 50 OHM, BLUE
3	LOCK BAR ASS'Y	20848-020T-01	2	CONNECTOR 1 & 2  CABLINE-VS II PLUG P/N : 20846-020T-01 CONNECTOR TO BE MATED : 20849-020E-01
2	SHELL-A	3427-0201	2	
1	HOUSING ASS'Y	20847-020T-01	2	

REVISION RECORD					GENERAL TOLERANCE.		PROJECTION		SERIES No.		CUSTOMER COPY		
0	ZM00775	K.Fu	2026/04/14	-	ANGLE	±2°	6 OVER 30 MAX.	±0.3		IH-200016	SCALE	2:1	
REV.	ECN	BY	DATE	APP.	6 MAX.	±0.2	30 OVER 120 MAX.	±0.5					TITLE
					DWG.	K.Fukutomi		DATE	2026/04/14		SIZE	SHEET	REV.
					CHK.	R.Takei			DWG. No.				
					APP.	T.Masunaga			82913				