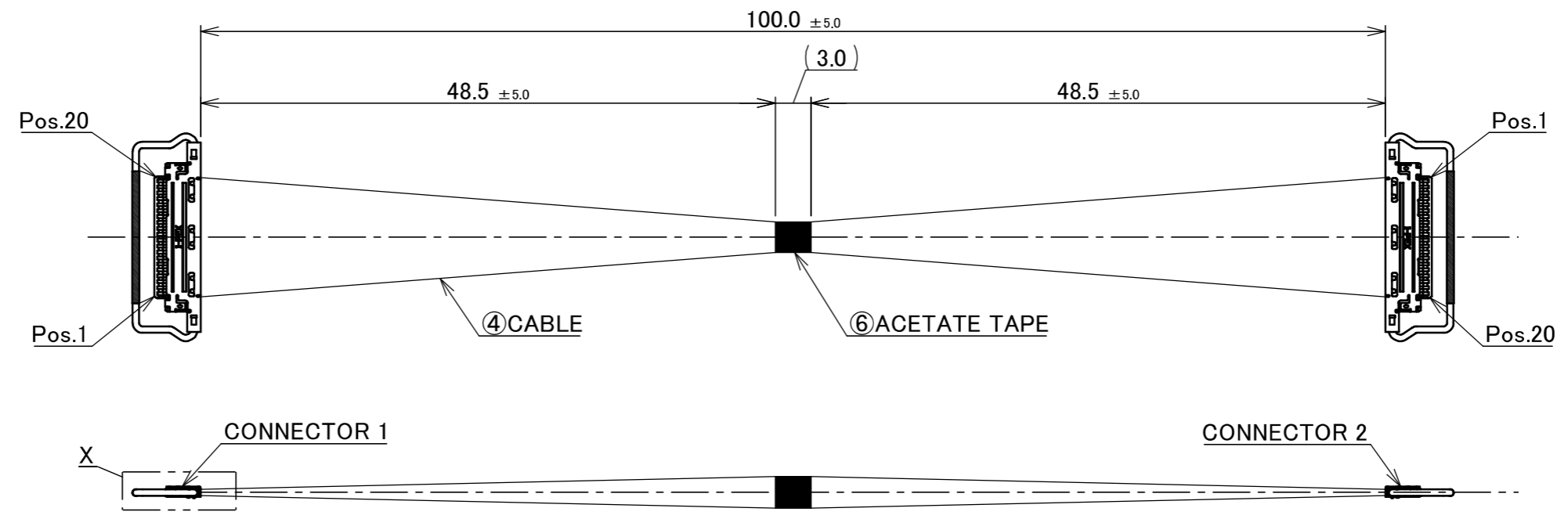
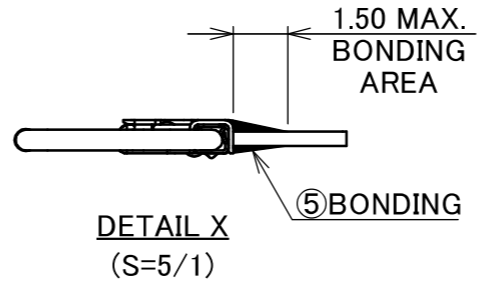
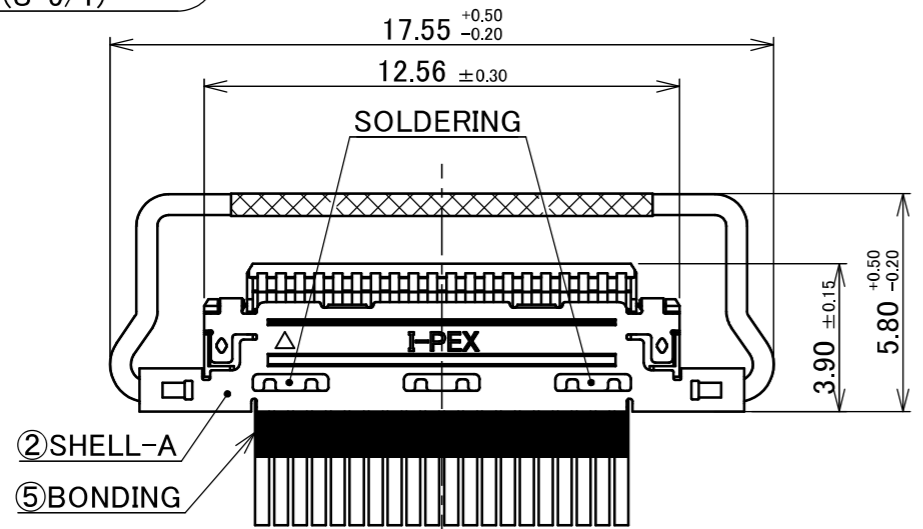


PART No.
82908-100B-02-D



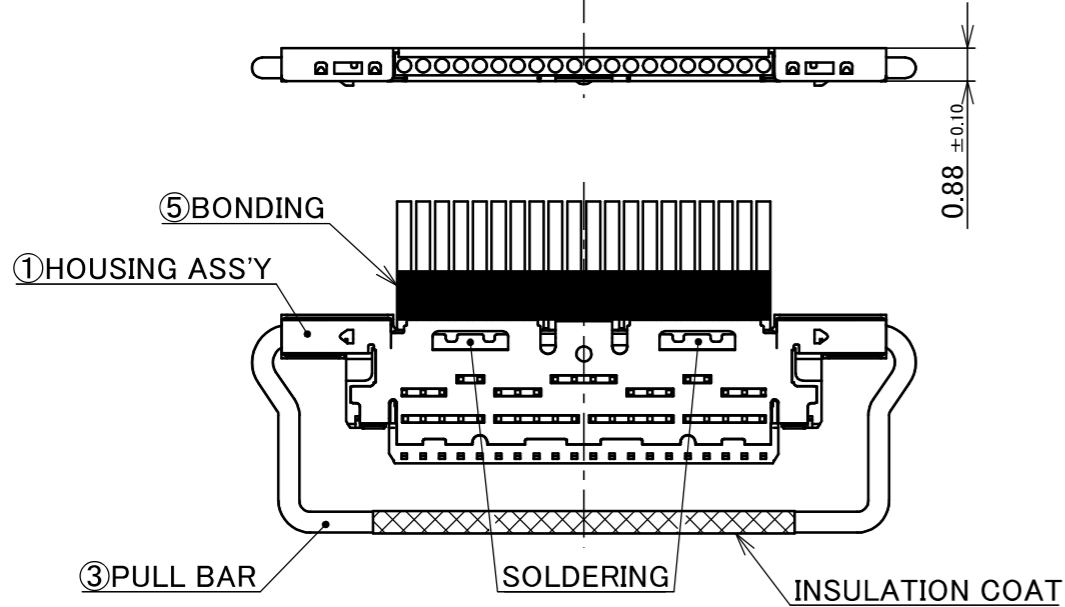
CONNECTOR 1&2
(S=5/1)



NOTE.
1. TO HANDLE THIS CONNECTOR YOU MUST READ AND FOLLOW THE INSTRUCTION MANUAL BELOW. I-PEX INSTRUCTION MANUAL No.HIM-08004.
2. ELECTRIC CHARACTERISTICS
WITHSTANDVOLTAGE : AC 250V LEAKAGE CURRENT 2.0mA MAX.
INSULATION RESISTANCE : 50MΩ MIN. DC 100V
3. THE OPERATING TEMPERATURE OF THE HARNESS : 80°C MAX.
4. RATING VOLTAGE : 30V

PIN ASSIGNMENT		
CONNECTOR 1	CABLE	CONNECTOR 2
20	MICRO-COAXIAL CABLE AWG#40 50 OHM, BLUE	1
19	MICRO-COAXIAL CABLE AWG#40 50 OHM, BLUE	2
·	MICRO-COAXIAL CABLE AWG#40 50 OHM, BLUE	·
·	MICRO-COAXIAL CABLE AWG#40 50 OHM, BLUE	·
2	MICRO-COAXIAL CABLE AWG#40 50 OHM, BLUE	19
1	MICRO-COAXIAL CABLE AWG#40 50 OHM, BLUE	20

NO.	DESCRIPTION	PARTS NO.	QTY	REMARKS
6	ACETATE TAPE	-	1	BLACK
5	BONDING	-	-	UV GLUE
4	CABLE	-	20	MICRO-COAXIAL CABLE AWG#40 50 OHM, BLUE
3	PULL BAR	2576-120-00	2	CONNECTOR 1&2
2	SHELL-A	2574-0202	2	CABLIN [®] -VS PLUG P/N : 20453-220T-03 CONNECTOR TO BE MATED : 20455-020E-66
1	HOUSING ASS'Y	20454-220T	2	



ANGLE	±2°	6 OVER 30 MAX.	±0.3	PROJECTION ⊕	SERIES No. IH-200016	CUSTOMER COPY						
	6 MAX.	±0.2	30 OVER 120 MAX.				±0.5					
GENERAL TOLERANCE.				TITLE CABLIN [®] -VS 20P HARNESS	SCALE 2:1	UNIT mm						
DWG.	K.Baba		DATE				2026/04/14					
CHK.	R.Takei											
0	ZM00778	K.B	2026/04/14	-	DWG. No.	82908	SIZE	A3	SHEET	1/1	REV.	0
REVISION RECORD				T.Masunaga								

Confidential C

I-PEX Inc.

QKE-DFE06-02 REV.12