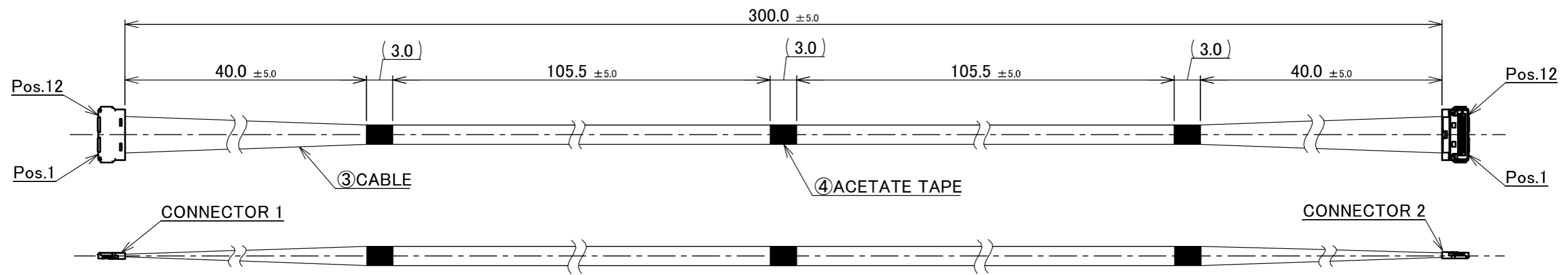
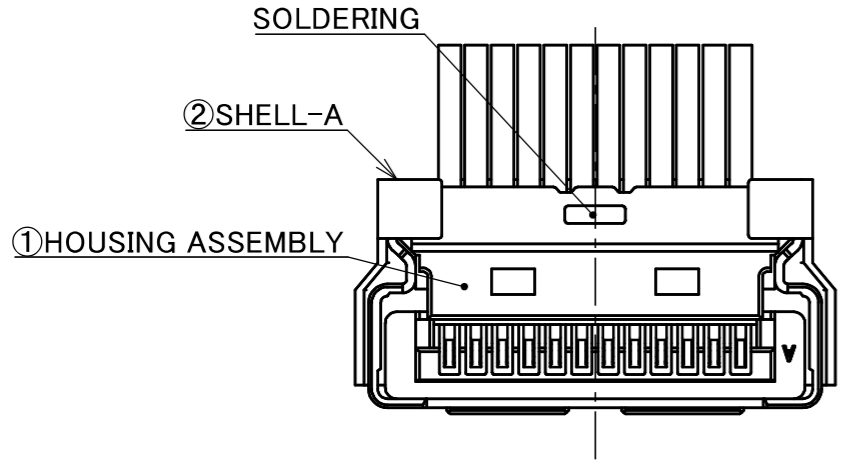
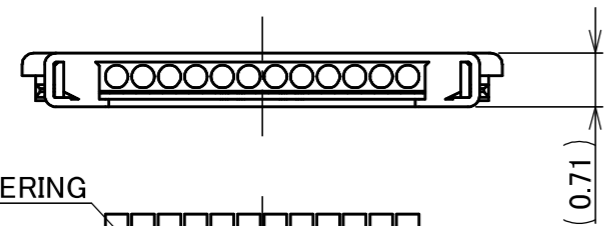
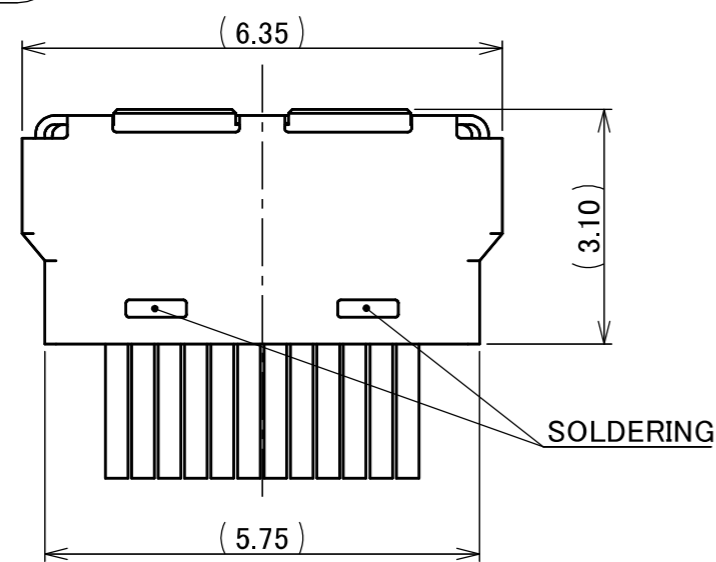


PART No.
83060-100B-01-D



CONNECTOR 1&2
(S=10/1)



PIN ASSIGNMENT		
CONNECTOR 1	CABLE	CONNECTOR 2
12	MICRO-COAXIAL CABLE AWG#42 50 OHM, BLUE	12
11	MICRO-COAXIAL CABLE AWG#42 50 OHM, BLUE	11
•	MICRO-COAXIAL CABLE AWG#42 50 OHM, BLUE	•
2	MICRO-COAXIAL CABLE AWG#42 50 OHM, BLUE	2
1	MICRO-COAXIAL CABLE AWG#42 50 OHM, BLUE	1

- NOTES.
- TO HANDLE THIS CONNECTOR YOU MUST READ AND FOLLOW THE ASSEMBLY MANUAL BELOW. I-PEX ASSEMBLY MANUAL No. HIM-18037.
 - ELECTRIC CHARACTERISTICS
WITHSTANDVOLTAGE : AC 200V LEAKAGE CURRENT 2.0mA MAX.
INSULATION RESISTANCE : 50MΩ MIN. DC 100V
 - THE OPERATING TEMPERATURE OF THE HARNESS: 80°C MAX.
 - RATING VOLTAGE : 30V

4	ACETATE TAPE	-	3	BLACK
3	CABLE	-	12	MICRO-COAXIAL CABLE AWG #42 50 OHM, BLUE
2	PLUG SHELL-A	3568-0121	2	CONNECTOR 1&2 CABLIN [®] -UY PLUG P/N : 20857-012T-01 CONNECTOR TO BE MATED : 20854-012E-02
1	HOUSING ASSEMBLY	20907-012E-01	2	
NO.	DESCRIPTION	PARTS NO.	QTY	REMARK

					ANGLE	±2°	6 OVER 30 MAX.	±0.3	PROJECTION ⊕	SERIES No. IH-200016	CUSTOMER COPY				
						6 MAX.	±0.2	30 OVER 120 MAX.				±0.5			
					GENERAL TOLERANCE.				TITLE CABLIN [®] -UY 12P HARNESS	SCALE 2:1	UNIT mm	I-PEX			
1	ZM00943	K.B	2026/06/05	T.M	DWG.	K.Fukutomi		DATE					2026/06/03		
0	ZM00930	K.Fu	2026/06/03	-	CHK.	R.Takei									
REV.	ECN	BY	DATE	APP.	APP.	T.Masunaga		DWG. No.	83060	SIZE	A3	SHEET	1/1	REV.	1
REVISION RECORD															

Confidential C

I-PEX Inc.

QKE-DFE06-02 REV.12