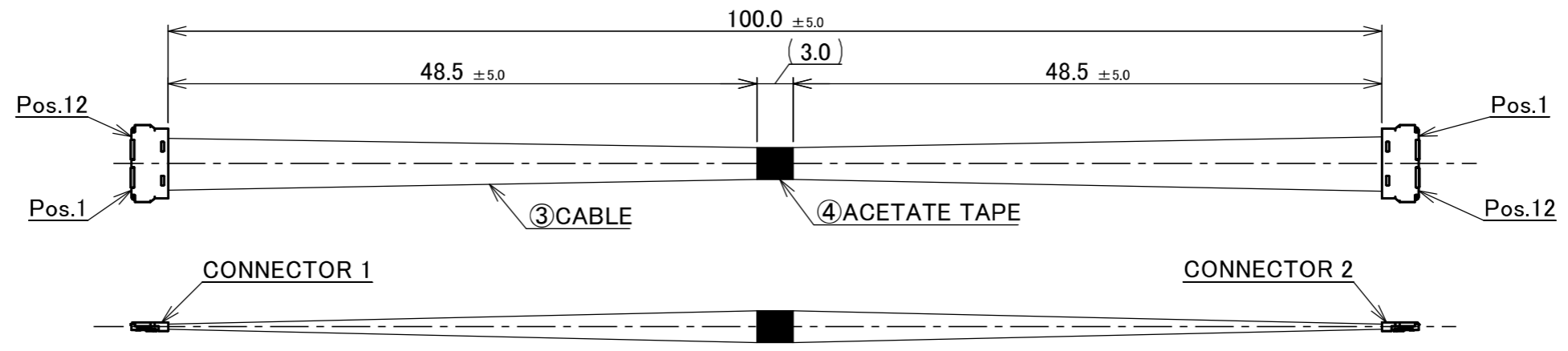
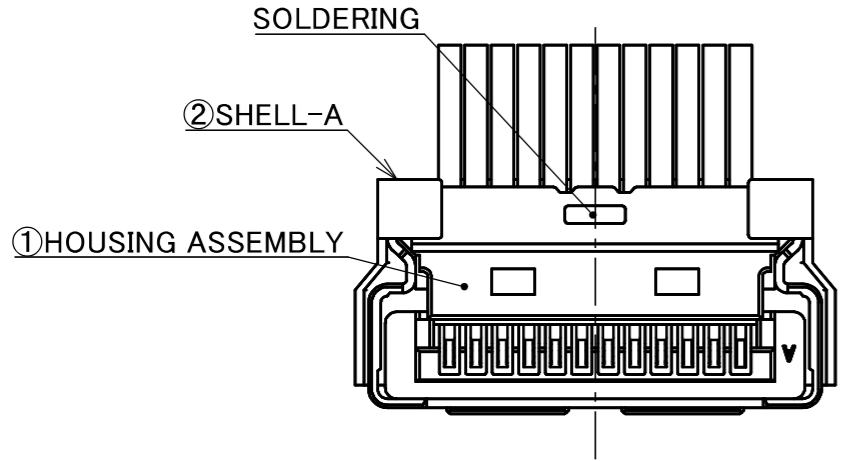
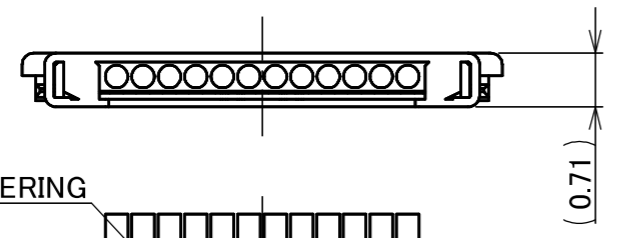
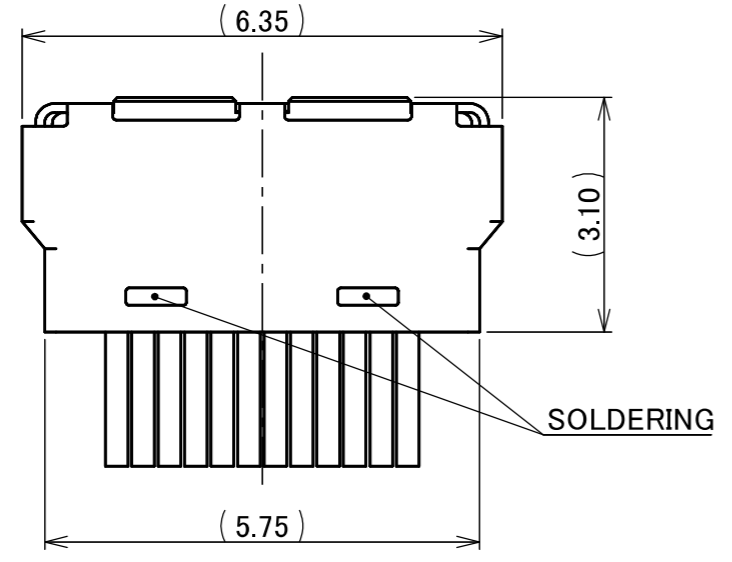


PART No.
82972-100B-02-D



CONNECTOR 1&2
(S=10/1)



PIN ASSIGNMENT		
CONNECTOR 1	CABLE	CONNECTOR 2
12	MICRO-COAXIAL CABLE AWG#42 50 OHM, BLUE	1
11	MICRO-COAXIAL CABLE AWG#42 50 OHM, BLUE	2
•	MICRO-COAXIAL CABLE AWG#42 50 OHM, BLUE	•
•	MICRO-COAXIAL CABLE AWG#42 50 OHM, BLUE	•
•	MICRO-COAXIAL CABLE AWG#42 50 OHM, BLUE	•
2	MICRO-COAXIAL CABLE AWG#42 50 OHM, BLUE	11
1	MICRO-COAXIAL CABLE AWG#42 50 OHM, BLUE	12

- NOTES.
- TO HANDLE THIS CONNECTOR YOU MUST READ AND FOLLOW THE ASSEMBLY MANUAL BELOW. I-PEX ASSEMBLY MANUAL No. HIM-18037.
 - ELECTRIC CHARACTERISTICS
WITHSTANDVOLTAGE : AC 200V LEAKAGE CURRENT 2.0mA MAX.
INSULATION RESISTANCE : 50MΩ MIN. DC 100V
 - THE OPERATING TEMPERATURE OF THE HARNESS: 80°C MAX.
 - RATING VOLTAGE : 30V

4	ACETATE TAPE	-	1	BLACK
3	CABLE	-	12	MICRO-COAXIAL CABLE AWG #42 50 OHM, BLUE
2	PLUG SHELL-A	3568-0121	2	CONNECTOR 1&2 CABLIN [®] -UY PLUG P/N : 20857-012T-01 CONNECTOR TO BE MATED : 20854-012E-02
1	HOUSING ASSEMBLY	20907-012E-01	2	
NO.	DESCRIPTION	PARTS NO.	QTY	REMARK

<table border="0"> <tr> <td>ANGLE</td> <td>±2°</td> <td>6 OVER 30 MAX.</td> <td>±0.3</td> <td rowspan="2">PROJECTION ⊕</td> <td rowspan="2">SERIES No. IH-200016</td> <td rowspan="2">CUSTOMER COPY</td> </tr> <tr> <td></td> <td>6 MAX.</td> <td>±0.2</td> <td>30 OVER 120 MAX.</td> <td>±0.5</td> </tr> </table>					ANGLE	±2°	6 OVER 30 MAX.	±0.3	PROJECTION ⊕	SERIES No. IH-200016	CUSTOMER COPY		6 MAX.	±0.2	30 OVER 120 MAX.	±0.5	<table border="0"> <tr> <td colspan="2">GENERAL TOLERANCE.</td> <td rowspan="2">TITLE CABLIN[®]-UY 12P HARNESS</td> <td rowspan="2">SCALE 2:1</td> </tr> <tr> <td>DWG.</td> <td>DATE</td> <td rowspan="2">UNIT mm</td> </tr> <tr> <td>1</td> <td>ZM00943</td> <td>K.B</td> <td>2026/06/05</td> <td>T.M</td> <td rowspan="3">I-PEX</td> </tr> <tr> <td>0</td> <td>ZM00903</td> <td>K.Fu</td> <td>2026/05/26</td> <td>-</td> </tr> <tr> <td>REV.</td> <td>ECN</td> <td>BY</td> <td>DATE</td> <td>APP.</td> </tr> <tr> <td colspan="5">REVISION RECORD</td> <td>DWG. No.</td> <td>82972</td> <td>SIZE</td> <td>SHEET</td> <td>REV.</td> </tr> <tr> <td colspan="5"></td> <td>T.Masunaga</td> <td></td> <td>A3</td> <td>1/1</td> <td>1</td> </tr> </table>		GENERAL TOLERANCE.		TITLE CABLIN [®] -UY 12P HARNESS	SCALE 2:1	DWG.	DATE	UNIT mm	1	ZM00943	K.B	2026/06/05	T.M	I-PEX	0	ZM00903	K.Fu	2026/05/26	-	REV.	ECN	BY	DATE	APP.	REVISION RECORD					DWG. No.	82972	SIZE	SHEET	REV.						T.Masunaga		A3	1/1	1
ANGLE	±2°	6 OVER 30 MAX.	±0.3	PROJECTION ⊕	SERIES No. IH-200016	CUSTOMER COPY																																																							
	6 MAX.	±0.2	30 OVER 120 MAX.				±0.5																																																						
GENERAL TOLERANCE.		TITLE CABLIN [®] -UY 12P HARNESS	SCALE 2:1																																																										
DWG.	DATE			UNIT mm																																																									
1	ZM00943	K.B	2026/06/05		T.M	I-PEX																																																							
0	ZM00903	K.Fu	2026/05/26	-																																																									
REV.	ECN	BY	DATE	APP.																																																									
REVISION RECORD					DWG. No.	82972	SIZE	SHEET	REV.																																																				
					T.Masunaga		A3	1/1	1																																																				

Confidential C

I-PEX Inc.

QKE-DFE06-02 REV.12