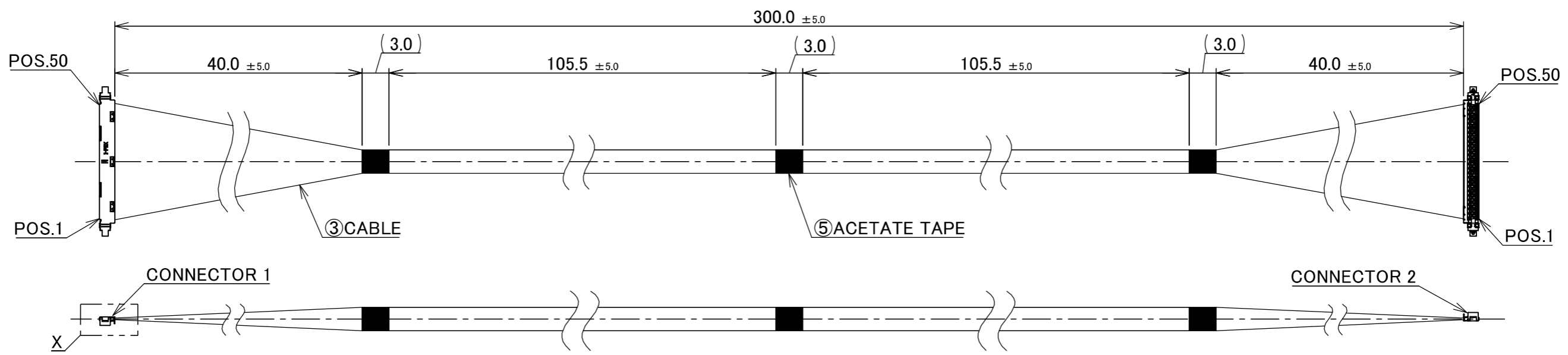
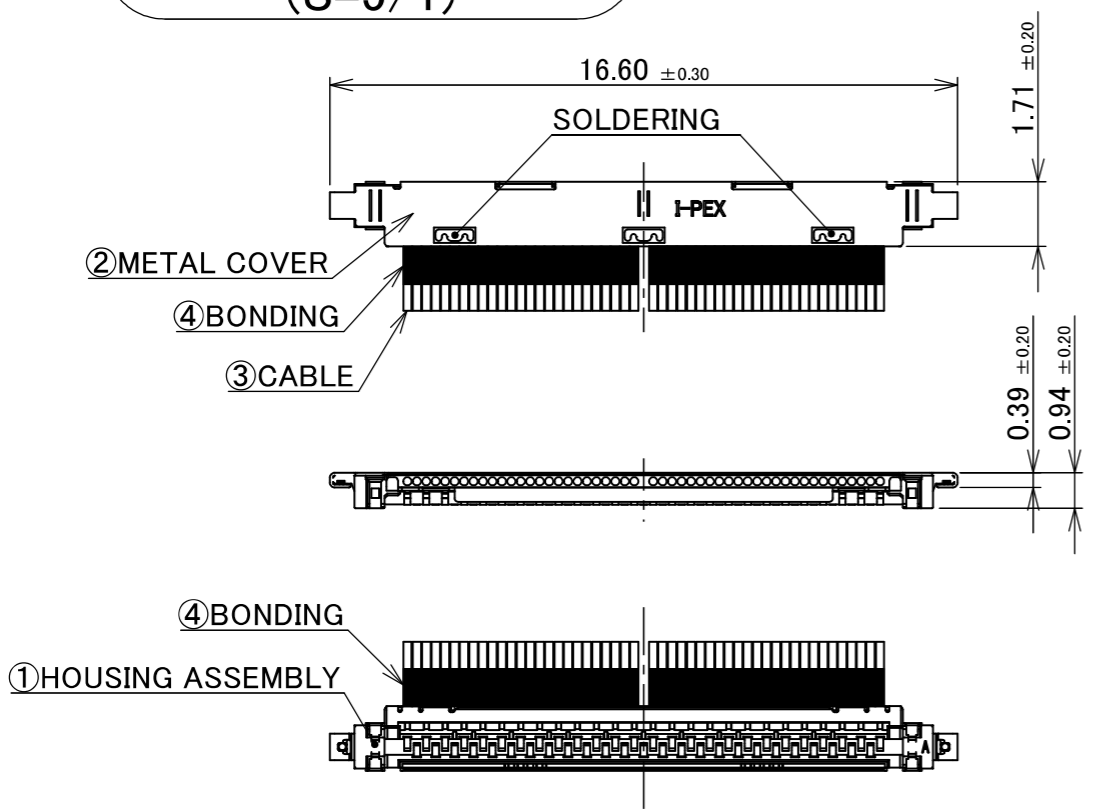
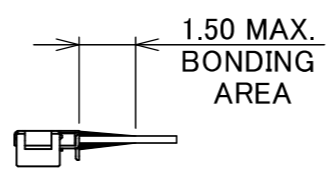


PART NO.
83057-100B-01-D



CONNECTOR 1&2
(S=5/1)



PIN ASSIGNMENT		
CONNECTOR 1	CABLE	CONNECTOR 2
50	MICRO-COAXIAL CABLE AWG #46 50 OHM, BLUE	50
49	MICRO-COAXIAL CABLE AWG #46 50 OHM, BLUE	49
.	MICRO-COAXIAL CABLE AWG #46 50 OHM, BLUE	.
.	MICRO-COAXIAL CABLE AWG #46 50 OHM, BLUE	.
2	MICRO-COAXIAL CABLE AWG #46 50 OHM, BLUE	2
1	MICRO-COAXIAL CABLE AWG #46 50 OHM, BLUE	1

- NOTE.
- TO HANDLE THIS CONNECTOR YOU MUST READ AND FOLLOW THE INSTRUCTION MANUAL BELOW. I-PEX INSTRUCTION MANUAL No.HIM-10001.
 - ELECTRIC CHARACTERISTICS
WITHSTANDVOLTAGE : AC 100V LEAKAGE CURRENT 2.0mA MAX.
INSULATION RESISTANCE : 50MΩ MIN. DC 100V
 - THE OPERATING TEMPERATURE OF THE HARNESS : 80°C MAX.
 - RATING VOLTAGE : 30V

5	ACETATE TAPE	-	3	BLACK
4	BONDING	-	-	UV GLUE
3	CABLE	-	50	MICRO-COAXIAL CABLE AWG #46, 50 OHM, BLUE
2	METAL COVER	2799-0501	2	CONNECTOR 1 & 2 CABLIN [®] -UX II PLUG P/N : 20531-050T-02-1 CONNECTOR TO BE MATED : 20533-250E
1	HOUSING ASSEMBLY	20532-050T-02-1	2	
NO.	DESCRIPTION	PARTS NO.	QTY	REMARK

<table border="0"> <tr> <td>ANGLE</td> <td>±2°</td> <td>6 OVER 30 MAX.</td> <td>±0.3</td> <td rowspan="2">PROJECTION ⊕</td> <td rowspan="2">SERIES No. IH-200016</td> <td rowspan="2">CUSTOMER COPY</td> </tr> <tr> <td></td> <td>6 MAX.</td> <td>±0.2</td> <td>30 OVER 120 MAX.</td> <td>±0.5</td> </tr> </table>					ANGLE	±2°	6 OVER 30 MAX.	±0.3	PROJECTION ⊕	SERIES No. IH-200016	CUSTOMER COPY		6 MAX.	±0.2	30 OVER 120 MAX.	±0.5	<table border="0"> <tr> <td colspan="2">GENERAL TOLERANCE.</td> </tr> <tr> <td>DWG.</td> <td>DATE</td> </tr> <tr> <td>K.Fukutomi</td> <td>2026/06/02</td> </tr> <tr> <td>CHK.</td> <td></td> </tr> <tr> <td>R.Takei</td> <td></td> </tr> <tr> <td>APP.</td> <td></td> </tr> <tr> <td>T.Masunaga</td> <td></td> </tr> </table>		GENERAL TOLERANCE.		DWG.	DATE	K.Fukutomi	2026/06/02	CHK.		R.Takei		APP.		T.Masunaga		<table border="0"> <tr> <td colspan="2">TITLE</td> <td rowspan="2">SCALE</td> </tr> <tr> <td colspan="2">CABLIN[®]-UX II</td> </tr> <tr> <td colspan="2">50P HARNESS</td> <td>2:1</td> </tr> <tr> <td colspan="2"></td> <td>UNIT</td> </tr> <tr> <td colspan="2"></td> <td>mm</td> </tr> <tr> <td colspan="2"></td> <td>SIZE</td> </tr> <tr> <td colspan="2"></td> <td>A3</td> </tr> <tr> <td colspan="2"></td> <td>SHEET</td> </tr> <tr> <td colspan="2"></td> <td>1/1</td> </tr> <tr> <td colspan="2"></td> <td>REV.</td> </tr> <tr> <td colspan="2"></td> <td>0</td> </tr> </table>		TITLE		SCALE	CABLIN [®] -UX II		50P HARNESS		2:1			UNIT			mm			SIZE			A3			SHEET			1/1			REV.			0
ANGLE	±2°	6 OVER 30 MAX.	±0.3	PROJECTION ⊕	SERIES No. IH-200016	CUSTOMER COPY																																																												
	6 MAX.	±0.2	30 OVER 120 MAX.				±0.5																																																											
GENERAL TOLERANCE.																																																																		
DWG.	DATE																																																																	
K.Fukutomi	2026/06/02																																																																	
CHK.																																																																		
R.Takei																																																																		
APP.																																																																		
T.Masunaga																																																																		
TITLE		SCALE																																																																
CABLIN [®] -UX II																																																																		
50P HARNESS		2:1																																																																
		UNIT																																																																
		mm																																																																
		SIZE																																																																
		A3																																																																
		SHEET																																																																
		1/1																																																																
		REV.																																																																
		0																																																																
<table border="0"> <tr> <td>0</td> <td>ZM00927</td> <td>K.Fu</td> <td>2026/06/02</td> <td>-</td> </tr> <tr> <th>REV.</th> <th>ECN</th> <th>BY</th> <th>DATE</th> <th>APP.</th> </tr> </table>					0	ZM00927	K.Fu	2026/06/02	-	REV.	ECN	BY	DATE	APP.	<table border="0"> <tr> <td colspan="2">DWG. No.</td> <td>83057</td> </tr> </table>		DWG. No.		83057	<table border="0"> <tr> <td>SIZE</td> <td>SHEET</td> <td>REV.</td> </tr> <tr> <td>A3</td> <td>1/1</td> <td>0</td> </tr> </table>		SIZE	SHEET	REV.	A3	1/1	0																																							
0	ZM00927	K.Fu	2026/06/02	-																																																														
REV.	ECN	BY	DATE	APP.																																																														
DWG. No.		83057																																																																
SIZE	SHEET	REV.																																																																
A3	1/1	0																																																																
REVISION RECORD					83057		A3		1/1		0																																																							