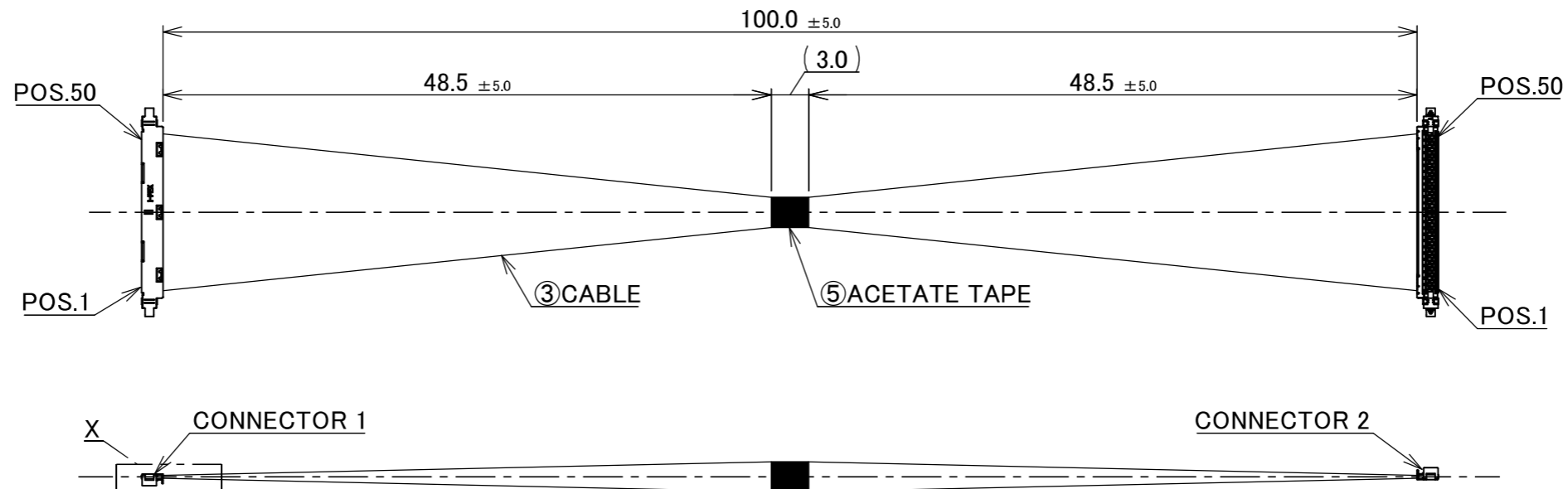
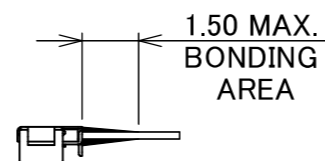
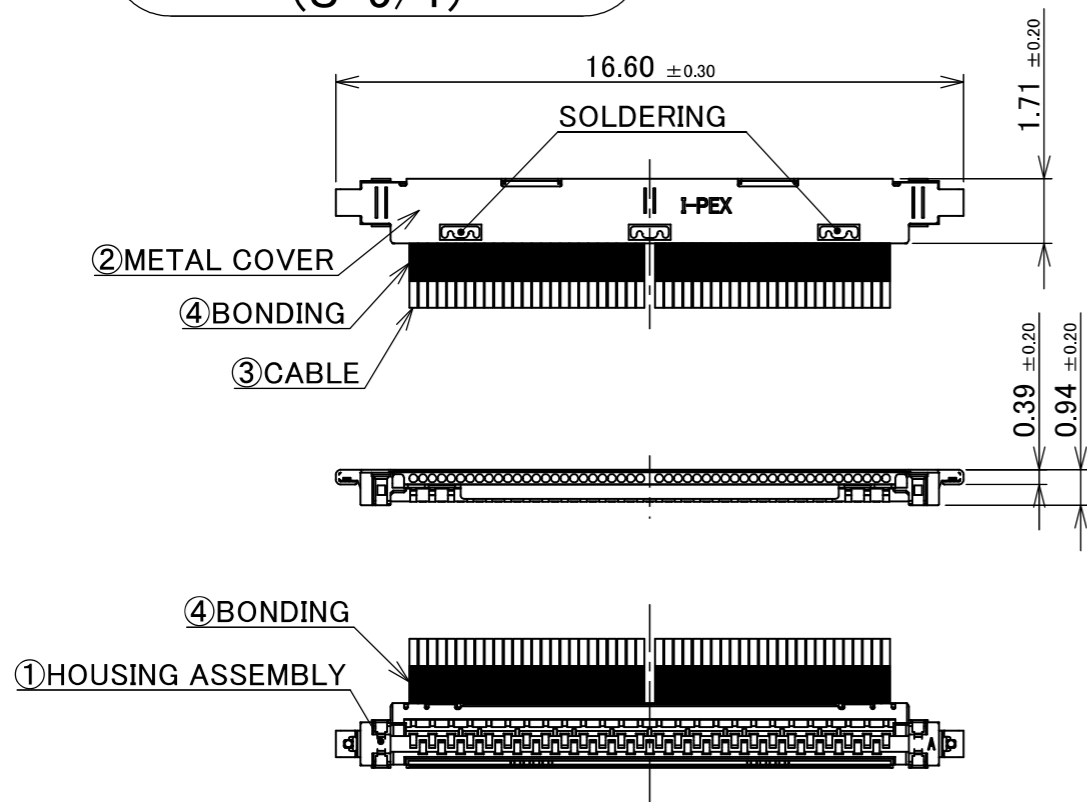


PART NO.
83055-100B-01-D



**CONNECTOR 1&2
(S=5/1)**



PIN ASSIGNMENT		
CONNECTOR 1	CABLE	CONNECTOR 2
50	MICRO-COAXIAL CABLE AWG #46 50 OHM, BLUE	50
49	MICRO-COAXIAL CABLE AWG #46 50 OHM, BLUE	49
.	MICRO-COAXIAL CABLE AWG #46 50 OHM, BLUE	.
2	MICRO-COAXIAL CABLE AWG #46 50 OHM, BLUE	2
1	MICRO-COAXIAL CABLE AWG #46 50 OHM, BLUE	1

NOTE.

1. TO HANDLE THIS CONNECTOR YOU MUST READ AND FOLLOW THE INSTRUCTION MANUAL BELOW. I-PEX INSTRUCTION MANUAL No.HIM-10001.
2. ELECTRIC CHARACTERISTICS
WITHSTANDVOLTAGE : AC 100V LEAKAGE CURRENT 2.0mA MAX.
INSULATION RESISTANCE : 50MΩ MIN. DC 100V
3. THE OPERATING TEMPERATURE OF THE HARNESS : 80°C MAX.
4. RATING VOLTAGE : 30V

NO.	DESCRIPTION	PARTS NO.	QTY	REMARK																																																																																
5	ACETATE TAPE	-	1	BLACK																																																																																
4	BONDING	-	-	UV GLUE																																																																																
3	CABLE	-	50	MICRO-COAXIAL CABLE AWG #46, 50 OHM, BLUE																																																																																
2	METAL COVER	2799-0501	2	CONNECTOR 1 & 2 CABLIN [®] -UX II PLUG P/N : 20531-050T-02-1 CONNECTOR TO BE MATED : 20533-250E																																																																																
1	HOUSING ASSEMBLY	20532-050T-02-1	2																																																																																	
<table border="1"> <tr> <td>ANGLE</td> <td>±2°</td> <td>6 OVER 30 MAX.</td> <td>±0.3</td> <td rowspan="2">PROJECTION ④</td> <td rowspan="2">SERIES No. IH-200016</td> <td rowspan="2">CUSTOMER COPY</td> </tr> <tr> <td></td> <td>6 MAX.</td> <td>±0.2</td> <td>30 OVER 120 MAX.</td> <td>±0.5</td> </tr> <tr> <td colspan="4">GENERAL TOLERANCE.</td> <td>TITLE</td> <td>SCALE</td> <td rowspan="3">I-PEX</td> </tr> <tr> <td>DWG.</td> <td colspan="2">DATE</td> <td></td> <td>CABLIN[®]-UX II</td> <td>2:1</td> </tr> <tr> <td>CHK.</td> <td colspan="2">R.Takei</td> <td></td> <td>50P HARNESS</td> <td>UNIT</td> </tr> <tr> <td>REV.</td> <td>ECN</td> <td>BY</td> <td>DATE</td> <td>APP.</td> <td>mm</td> <td></td> </tr> <tr> <td colspan="4">REVISION RECORD</td> <td>APP.</td> <td>DWG. No.</td> <td>SIZE</td> </tr> <tr> <td colspan="4"></td> <td>T.Masunaga</td> <td>83055</td> <td>A3</td> </tr> <tr> <td colspan="4"></td> <td></td> <td></td> <td>SHEET</td> </tr> <tr> <td colspan="4"></td> <td></td> <td></td> <td>1/1</td> </tr> <tr> <td colspan="4"></td> <td></td> <td></td> <td>REV.</td> </tr> <tr> <td colspan="4"></td> <td></td> <td></td> <td>0</td> </tr> </table>					ANGLE	±2°	6 OVER 30 MAX.	±0.3	PROJECTION ④	SERIES No. IH-200016	CUSTOMER COPY		6 MAX.	±0.2	30 OVER 120 MAX.	±0.5	GENERAL TOLERANCE.				TITLE	SCALE	I-PEX	DWG.	DATE			CABLIN [®] -UX II	2:1	CHK.	R.Takei			50P HARNESS	UNIT	REV.	ECN	BY	DATE	APP.	mm		REVISION RECORD				APP.	DWG. No.	SIZE					T.Masunaga	83055	A3							SHEET							1/1							REV.							0
ANGLE	±2°	6 OVER 30 MAX.	±0.3	PROJECTION ④	SERIES No. IH-200016	CUSTOMER COPY																																																																														
	6 MAX.	±0.2	30 OVER 120 MAX.				±0.5																																																																													
GENERAL TOLERANCE.				TITLE	SCALE	I-PEX																																																																														
DWG.	DATE			CABLIN [®] -UX II	2:1																																																																															
CHK.	R.Takei			50P HARNESS	UNIT																																																																															
REV.	ECN	BY	DATE	APP.	mm																																																																															
REVISION RECORD				APP.	DWG. No.	SIZE																																																																														
				T.Masunaga	83055	A3																																																																														
						SHEET																																																																														
						1/1																																																																														
						REV.																																																																														
						0																																																																														