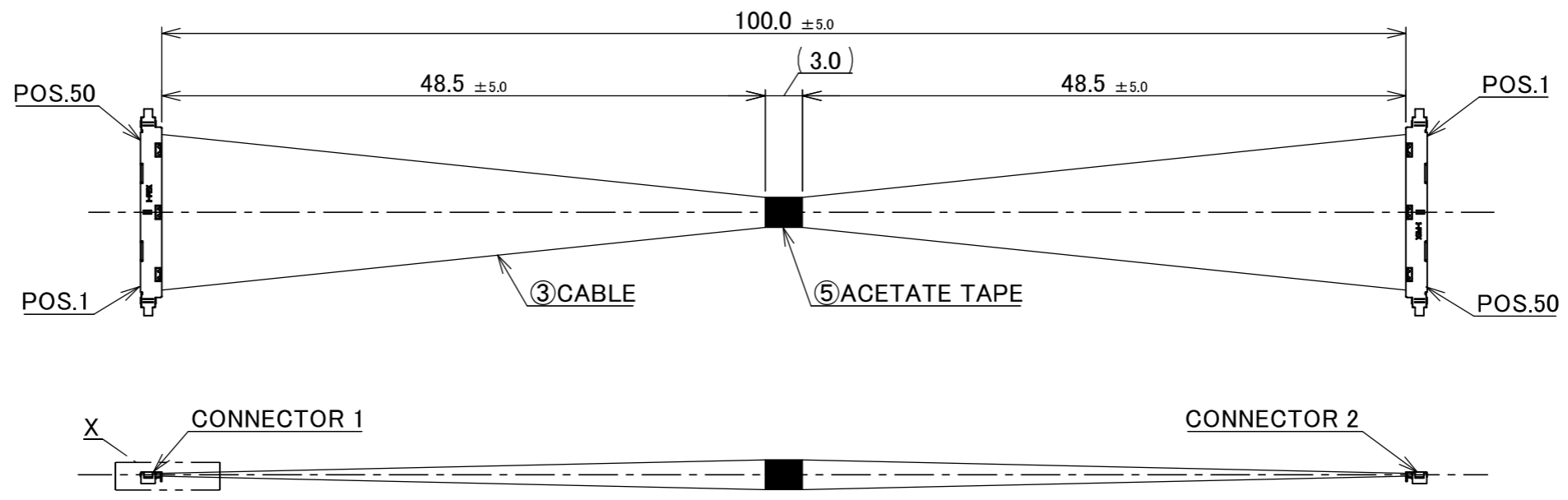
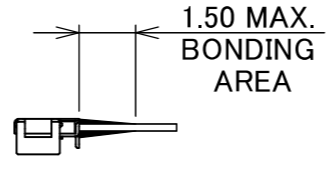


PART NO.
82907-100B-02-D



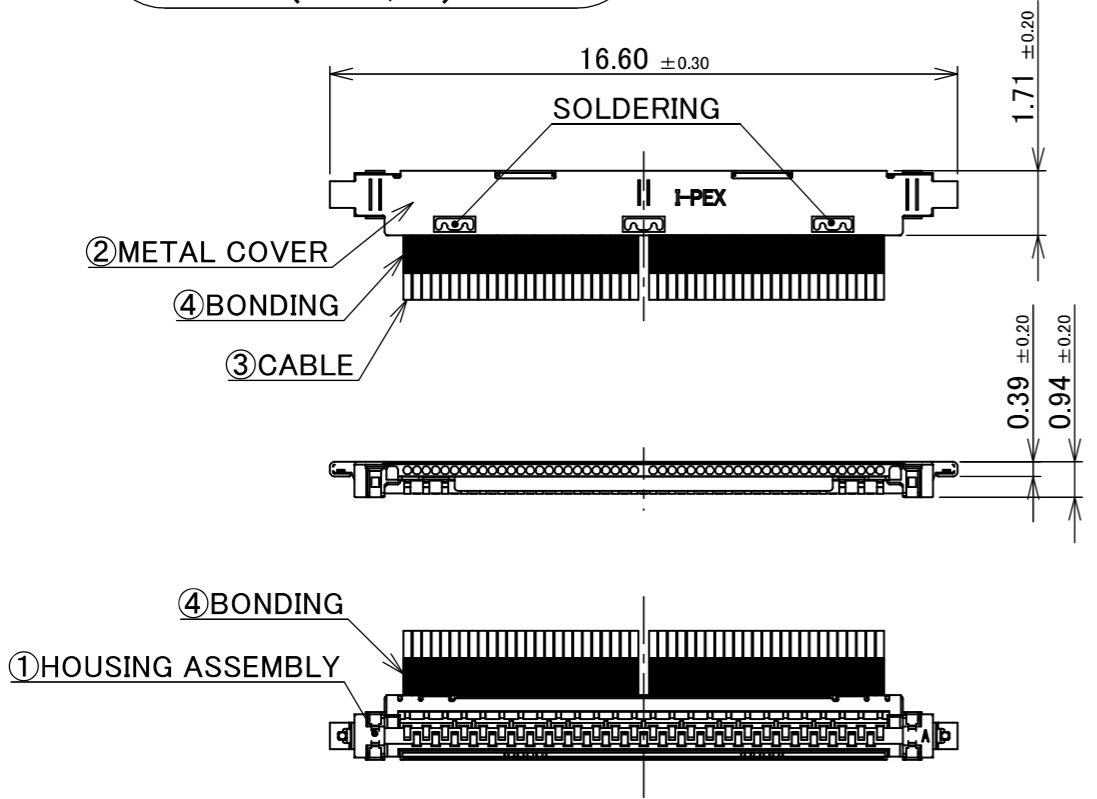
PIN ASSIGNMENT		
CONNECTOR 1	CABLE	CONNENTOR 2
50	MICRO-COAXIAL CABLE AWG #46 50 OHM, BLUE	1
49	MICRO-COAXIAL CABLE AWG #46 50 OHM, BLUE	2
.	MICRO-COAXIAL CABLE AWG #46 50 OHM, BLUE	.
.	MICRO-COAXIAL CABLE AWG #46 50 OHM, BLUE	.
2	MICRO-COAXIAL CABLE AWG #46 50 OHM, BLUE	49
1	MICRO-COAXIAL CABLE AWG #46 50 OHM, BLUE	50

CONNECTOR 1&2
(S=5/1)



DETAIL X
(S=5/1)

- NOTE.
1. TO HANDLE THIS CONNECTOR YOU MUST READ AND FOLLOW THE INSTRUCTION MANUAL BELOW. I-PEX INSTRUCTION MANUAL No.HIM-10001.
 2. ELECTRIC CHARACTERISTICS
WITHSTANDVOLTAGE : AC 100V LEAKAGE CURRENT 2.0mA MAX.
INSULATION RESISTANCE : 50MΩ MIN. DC 100V
 3. THE OPERATING TEMPERATURE OF THE HARNESS : 80°C MAX.
 4. RATING VOLTAGE : 30V



5	ACETATE TAPE	-	1	BLACK
4	BONDING	-	-	UV GLUE
3	CABLE	-	50	MICRO-COAXIAL CABLE AWG #46, 50 OHM, BLUE
2	METAL COVER	2799-0501	2	CONNECTOR 1 & 2 CABLIN [®] -UX II PLUG P/N : 20531-050T-02-1 CONNECTOR TO BE MATED : 20533-250E
1	HOUSING ASSEMBLY	20532-050T-02-1	2	
NO.	DESCRIPTION	PARTS NO.	QTY	REMARK

REVISION RECORD					ANGLE $\pm 2^\circ$ 6 OVER 30 MAX. ± 0.3 6 MAX. ± 0.2 30 OVER 120 MAX. ± 0.5	PROJECTION 	SERIES No. IH-200016	CUSTOMER COPY		
					GENERAL TOLERANCE.		TITLE CABLINE [®] -UX II 50P HARNESS	SCALE 2:1		
0	ZM00754	K.B	2026/04/07	-	DWG. K.Baba	DATE 2026/04/07				UNIT
REV.	ECN	BY	DATE	APP.	CHK. R.Takei	APP. T.Masunaga	DWG. No.	SIZE	SHEET	REV.
							82907	A3	1/1	0

Confidential C

I-PEX Inc.

QKE-DFE06-02 REV.12