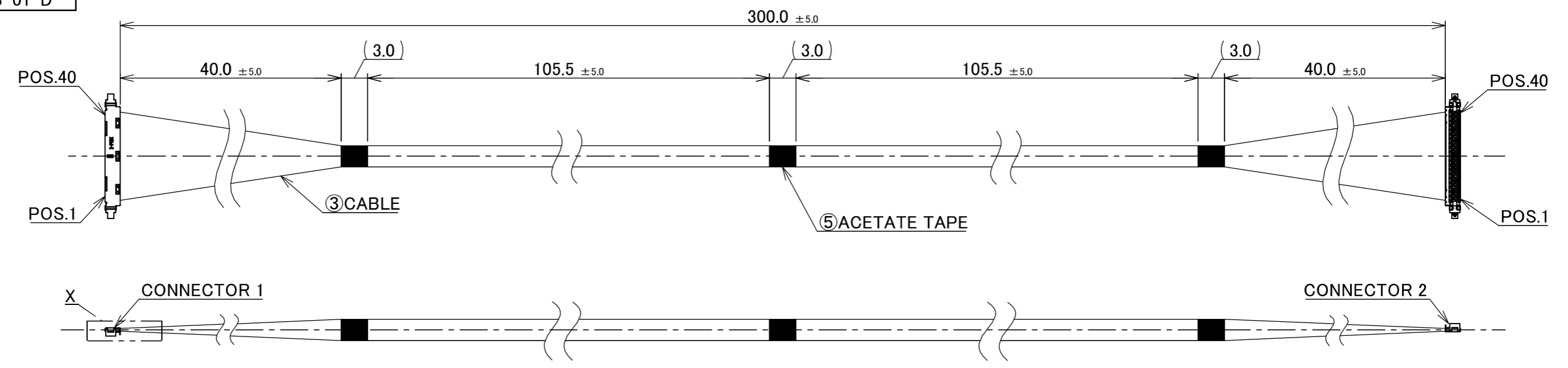
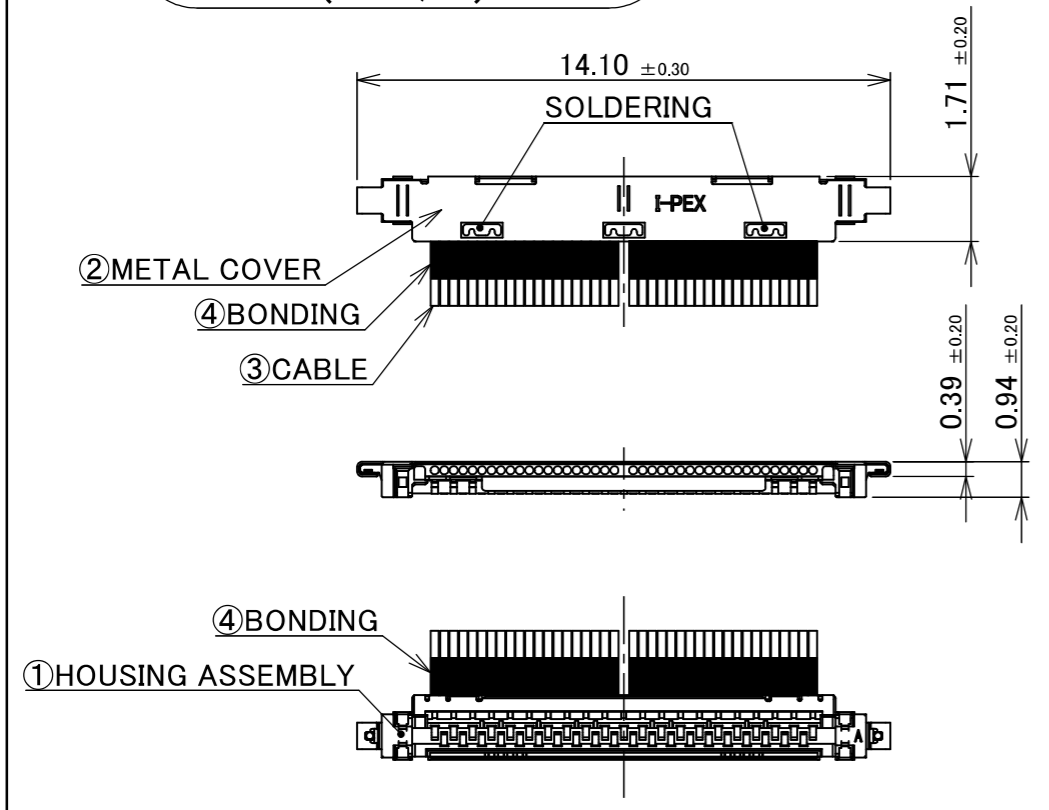
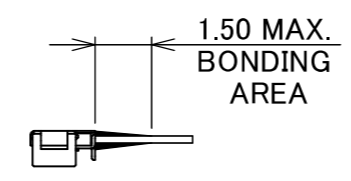


PART NO.  
83054-100B-01-D



**CONNECTOR 1&2  
(S=5/1)**



PIN ASSIGNMENT		
CONNECTOR 1	CABLE	CONNECTOR 2
40	MICRO-COAXIAL CABLE AWG #46 50 OHM, BLUE	40
39	MICRO-COAXIAL CABLE AWG #46 50 OHM, BLUE	39
.	MICRO-COAXIAL CABLE AWG #46 50 OHM, BLUE	.
2	MICRO-COAXIAL CABLE AWG #46 50 OHM, BLUE	2
1	MICRO-COAXIAL CABLE AWG #46 50 OHM, BLUE	1

- NOTE.
- TO HANDLE THIS CONNECTOR YOU MUST READ AND FOLLOW THE INSTRUCTION MANUAL BELOW. I-PEX INSTRUCTION MANUAL No.HIM-10001.
  - ELECTRIC CHARACTERISTICS  
WITHSTANDVOLTAGE : AC 100V LEAKAGE CURRENT 2.0mA MAX.  
INSULATION RESISTANCE : 50MΩ MIN. DC 100V
  - THE OPERATING TEMPERATURE OF THE HARNESS : 80°C MAX.
  - RATING VOLTAGE : 30V

5	ACETATE TAPE	-	3	BLACK
4	BONDING	-	-	UV GLUE
3	CABLE	-	40	MICRO-COAXIAL CABLE AWG #46, 50 OHM, BLUE
2	METAL COVER	2799-0401	2	CONNECTOR 1 & 2 CABLIN <sup>®</sup> -UX II PLUG P/N : 20531-040T-02-1 CONNECTOR TO BE MATED : 20533-240E
1	HOUSING ASSEMBLY	20532-040T-02-1	2	
NO.	DESCRIPTION	PARTS NO.	QTY	REMARK

ANGLE $\pm 2^\circ$ 6 OVER 30 MAX. $\pm 0.3$ 6 MAX. $\pm 0.2$ 30 OVER 120 MAX. $\pm 0.5$					PROJECTION 	SERIES No. IH-200016	CUSTOMER COPY					
GENERAL TOLERANCE. DWG. K.Fukutomi DATE 2026/06/02 CHK. R.Takei										TITLE CABLIN <sup>®</sup> -UX II 40P HARNESS	SCALE 2:1 UNIT mm	
0	ZM00927	K.Fu	2026/06/02	-	DWG. No.	83054	SIZE	A3	SHEET			
REVISION RECORD					83054		A3		1/1		0	