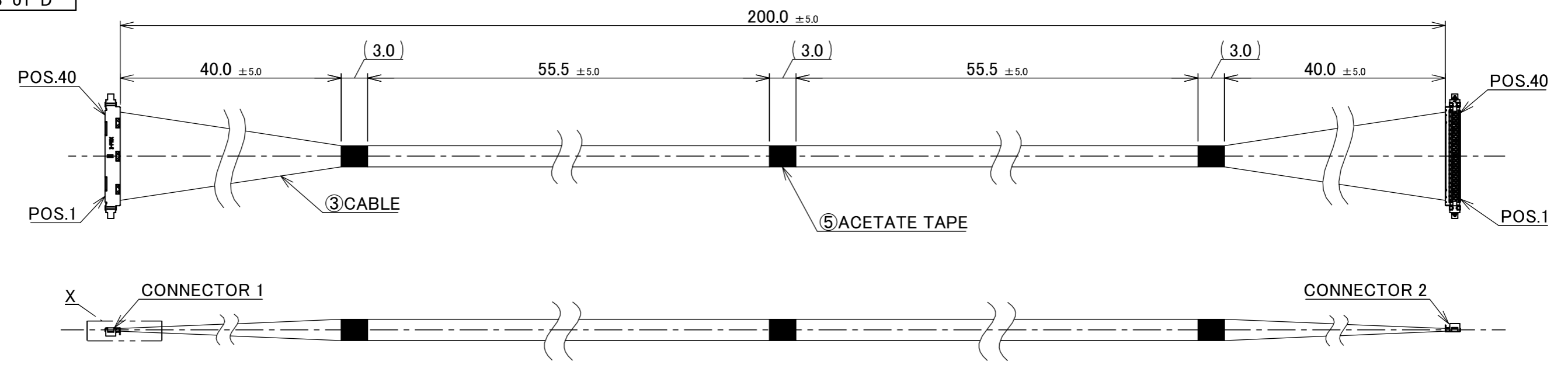
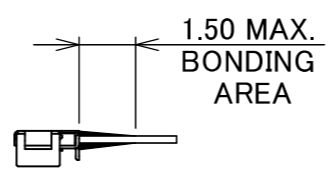


PART NO.
83053-100B-01-D



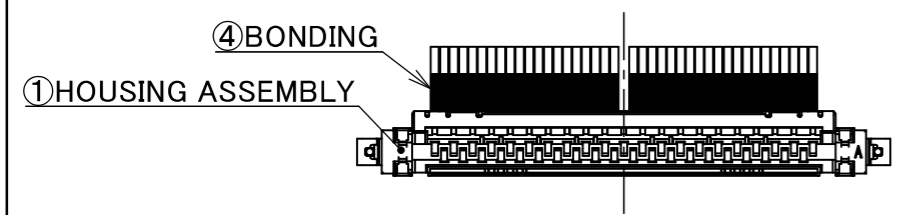
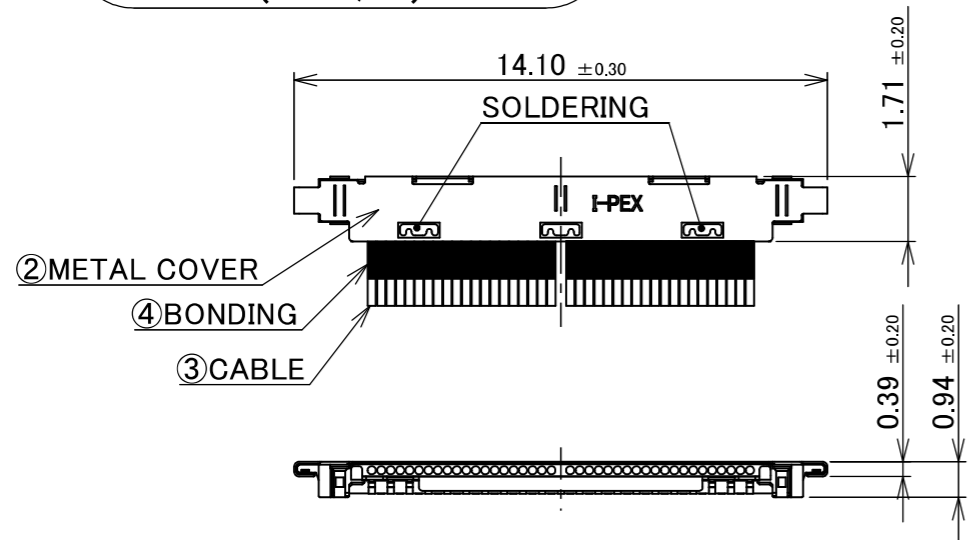
PIN ASSIGNMENT		
CONNECTOR 1	CABLE	CONNECTOR 2
40	MICRO-COAXIAL CABLE AWG #46 50 OHM, BLUE	40
39	MICRO-COAXIAL CABLE AWG #46 50 OHM, BLUE	39
.	MICRO-COAXIAL CABLE AWG #46 50 OHM, BLUE	.
2	MICRO-COAXIAL CABLE AWG #46 50 OHM, BLUE	2
1	MICRO-COAXIAL CABLE AWG #46 50 OHM, BLUE	1

CONNECTOR 1&2
(S=5/1)



DETAIL X
(S=5/1)

- NOTE.
- TO HANDLE THIS CONNECTOR YOU MUST READ AND FOLLOW THE INSTRUCTION MANUAL BELOW. I-PEX INSTRUCTION MANUAL No.HIM-10001.
 - ELECTRIC CHARACTERISTICS
WITHSTANDVOLTAGE : AC 100V LEAKAGE CURRENT 2.0mA MAX.
INSULATION RESISTANCE : 50MΩ MIN. DC 100V
 - THE OPERATING TEMPERATURE OF THE HARNESS : 80°C MAX.
 - RATING VOLTAGE : 30V



5	ACETATE TAPE	-	3	BLACK
4	BONDING	-	-	UV GLUE
3	CABLE	-	40	MICRO-COAXIAL CABLE AWG #46, 50 OHM, BLUE
2	METAL COVER	2799-0401	2	CONNECTOR 1 & 2 CABLIN [®] -UX II PLUG P/N : 20531-040T-02-1 CONNECTOR TO BE MATED : 20533-240E
1	HOUSING ASSEMBLY	20532-040T-02-1	2	
NO.	DESCRIPTION	PARTS NO.	QTY	REMARK

ANGLE $\pm 2^\circ$ 6 OVER 30 MAX. ± 0.3 6 MAX. ± 0.2 30 OVER 120 MAX. ± 0.5					PROJECTION 	SERIES No. IH-200016	CUSTOMER COPY					
GENERAL TOLERANCE. DWG. K.Fukutomi DATE 2026/06/02 CHK. R.Takei									TITLE CABLIN [®] -UX II 40P HARNESS	SCALE 2:1 UNIT mm		
0	ZM00927	K.Fu	2026/06/02	-	DWG. No.	83053	SIZE	A3				SHEET
REVISION RECORD					83053		A3		1/1		0	