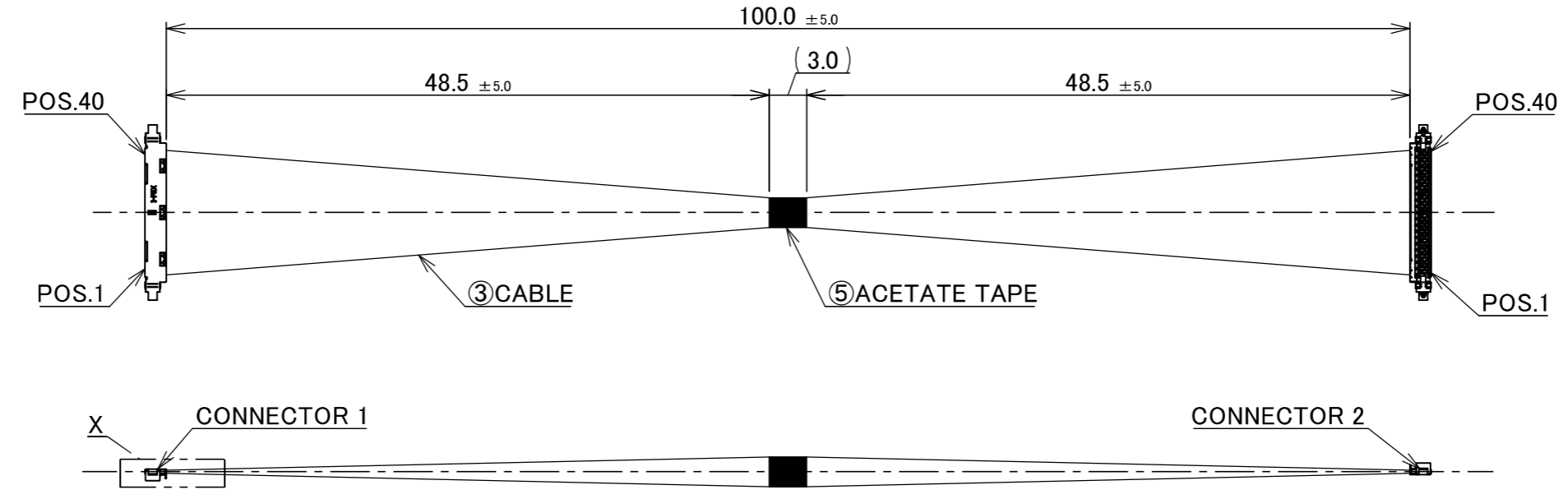
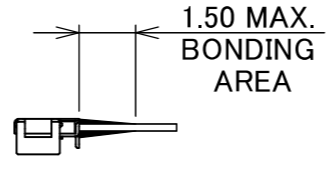


PART NO.  
83052-100B-01-D



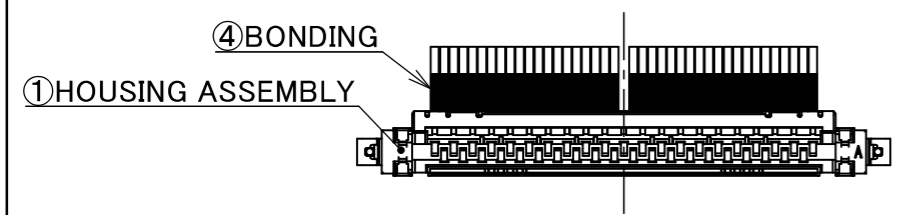
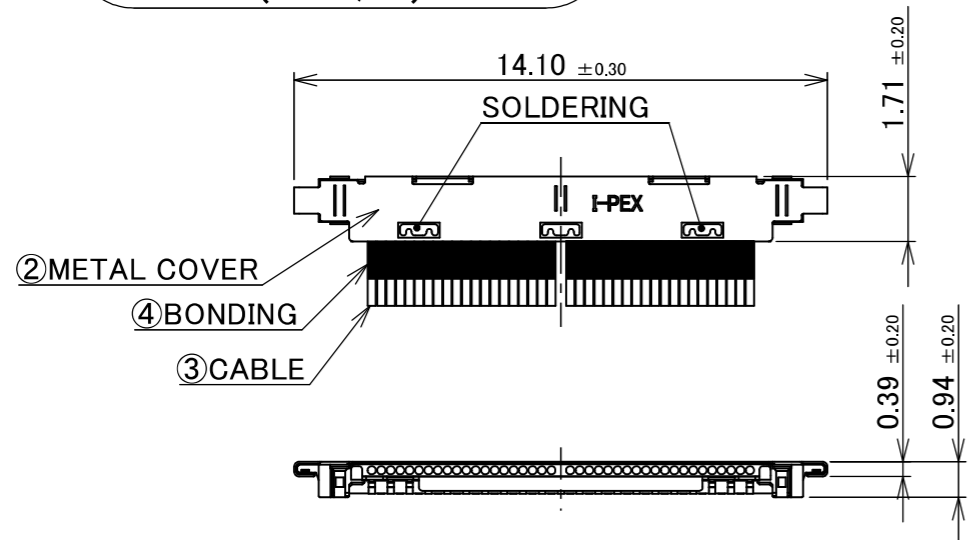
PIN ASSIGNMENT		
CONNECTOR 1	CABLE	CONNENTOR 2
40	MICRO-COAXIAL CABLE AWG #46 50 OHM, BLUE	40
39	MICRO-COAXIAL CABLE AWG #46 50 OHM, BLUE	39
.	MICRO-COAXIAL CABLE AWG #46 50 OHM, BLUE	.
.	MICRO-COAXIAL CABLE AWG #46 50 OHM, BLUE	.
2	MICRO-COAXIAL CABLE AWG #46 50 OHM, BLUE	2
1	MICRO-COAXIAL CABLE AWG #46 50 OHM, BLUE	1

**CONNECTOR 1&2**  
(S=5/1)



DETAIL X  
(S=5/1)

- NOTE.
1. TO HANDLE THIS CONNECTOR YOU MUST READ AND FOLLOW THE INSTRUCTION MANUAL BELOW. I-PEX INSTRUCTION MANUAL No.HIM-10001.
  2. ELECTRIC CHARACTERISTICS  
WITHSTANDVOLTAGE : AC 100V LEAKAGE CURRENT 2.0mA MAX.  
INSULATION RESISTANCE : 50MΩ MIN. DC 100V
  3. THE OPERATING TEMPERATURE OF THE HARNESS : 80°C MAX.
  4. RATING VOLTAGE : 30V



5	ACETATE TAPE	-	1	BLACK
4	BONDING	-	-	UV GLUE
3	CABLE	-	40	MICRO-COAXIAL CABLE AWG #46, 50 OHM, BLUE
2	METAL COVER	2799-0401	2	CONNECTOR 1 & 2 CABLIN <sup>®</sup> -UX II PLUG P/N : 20531-040T-02-1 CONNECTOR TO BE MATED : 20533-240E
1	HOUSING ASSEMBLY	20532-040T-02-1	2	
NO.	DESCRIPTION	PARTS NO.	QTY	REMARK

ANGLE	±2°	6 OVER 30 MAX.	±0.3	PROJECTION ④	SERIES No. IH-200016	CUSTOMER COPY													
	6 MAX.	±0.2	30 OVER 120 MAX.				±0.5												
GENERAL TOLERANCE.				TITLE CABLIN <sup>®</sup> -UX II 40P HARNESS	SCALE 2:1	UNIT mm													
DWG.	K.Fukutomi		DATE				2026/06/02												
CHK.	R.Takei		APP.				T.Masunaga												
0	ZM00927	K.Fu	2026/06/02	-	DWG. No.	83052	SIZE	A3	SHEET	1/1	REV.	0							
REVISION RECORD				DWG. No.		83052		SIZE		A3		SHEET		1/1		REV.		0	