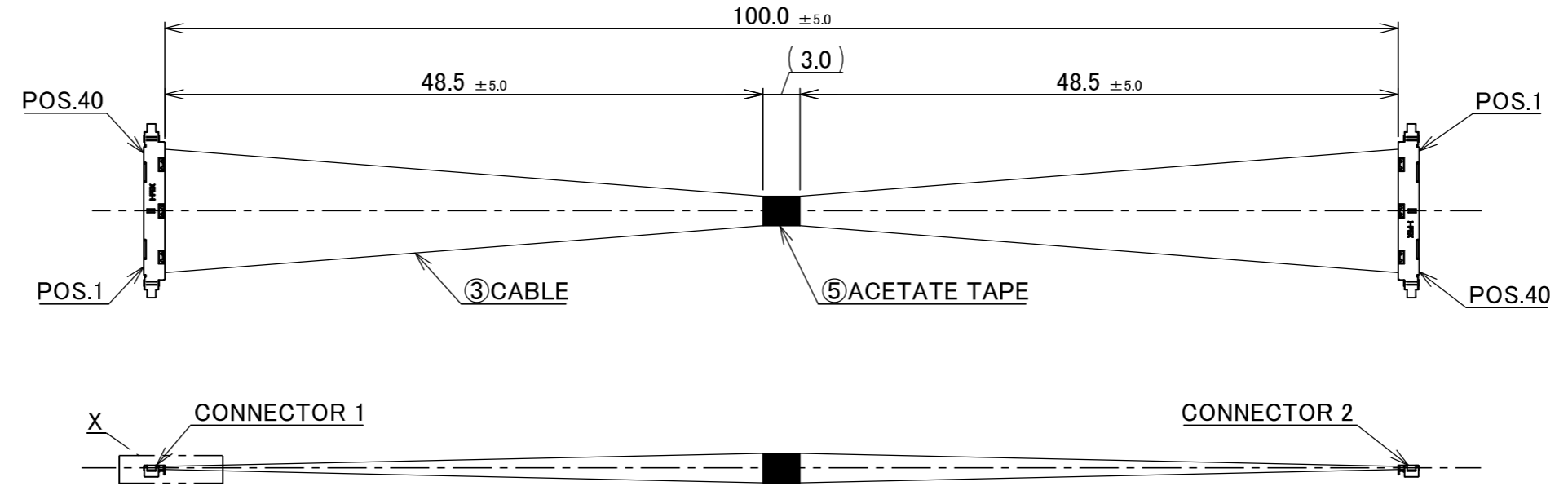
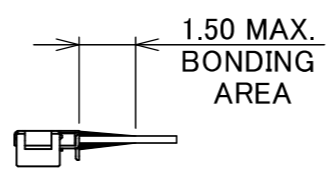


PART NO.
82906-100B-02-D



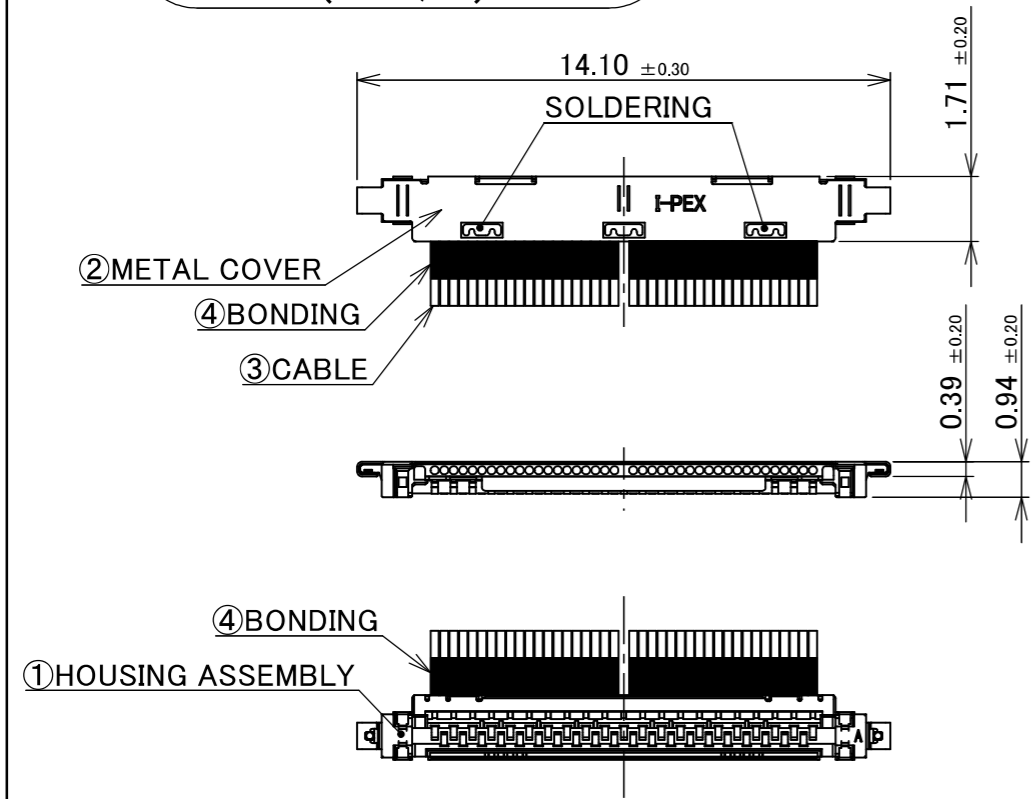
**CONNECTOR 1&2
(S=5/1)**



DETAIL X
(S=5/1)

PIN ASSIGNMENT		
CONNECTOR 1	CABLE	CONNECTOR 2
40	MICRO-COAXIAL CABLE AWG #46 50 OHM, BLUE	1
39	MICRO-COAXIAL CABLE AWG #46 50 OHM, BLUE	2
.	MICRO-COAXIAL CABLE AWG #46 50 OHM, BLUE	.
2	MICRO-COAXIAL CABLE AWG #46 50 OHM, BLUE	39
1	MICRO-COAXIAL CABLE AWG #46 50 OHM, BLUE	40

- NOTE.
- TO HANDLE THIS CONNECTOR YOU MUST READ AND FOLLOW THE INSTRUCTION MANUAL BELOW. I-PEX INSTRUCTION MANUAL No.HIM-10001.
 - ELECTRIC CHARACTERISTICS
WITHSTANDVOLTAGE : AC 100V LEAKAGE CURRENT 2.0mA MAX.
INSULATION RESISTANCE : 50MΩ MIN. DC 100V
 - THE OPERATING TEMPERATURE OF THE HARNESS : 80°C MAX.
 - RATING VOLTAGE : 30V



5	ACETATE TAPE	-	1	BLACK
4	BONDING	-	-	UV GLUE
3	CABLE	-	40	MICRO-COAXIAL CABLE AWG #46, 50 OHM, BLUE
2	METAL COVER	2799-0401	2	CONNECTOR 1 & 2 CABLIN [®] -UX II PLUG P/N : 20531-040T-02-1 CONNECTOR TO BE MATED : 20533-240E
1	HOUSING ASSEMBLY	20532-040T-02-1	2	
NO.	DESCRIPTION	PARTS NO.	QTY	REMARK

				ANGLE	±2°	6 OVER 30 MAX.	±0.3	PROJECTION ⊕	SERIES No. IH-200016	CUSTOMER COPY						
					6 MAX.	±0.2	30 OVER 120 MAX.				±0.5					
				GENERAL TOLERANCE.				TITLE CABLIN [®] -UX II 40P HARNESS	SCALE 2:1	UNIT mm	I-PEX					
				DWG.	K.Baba		DATE					2026/04/07				
				CHK.	R.Takei											
0	ZM00754	K.B	2026/04/07	-	REVISION RECORD				DWG. No.	82906	SIZE	A3	SHEET	1/1	REV.	0

Confidential C

I-PEX Inc.

QKE-DFE06-02 REV.12