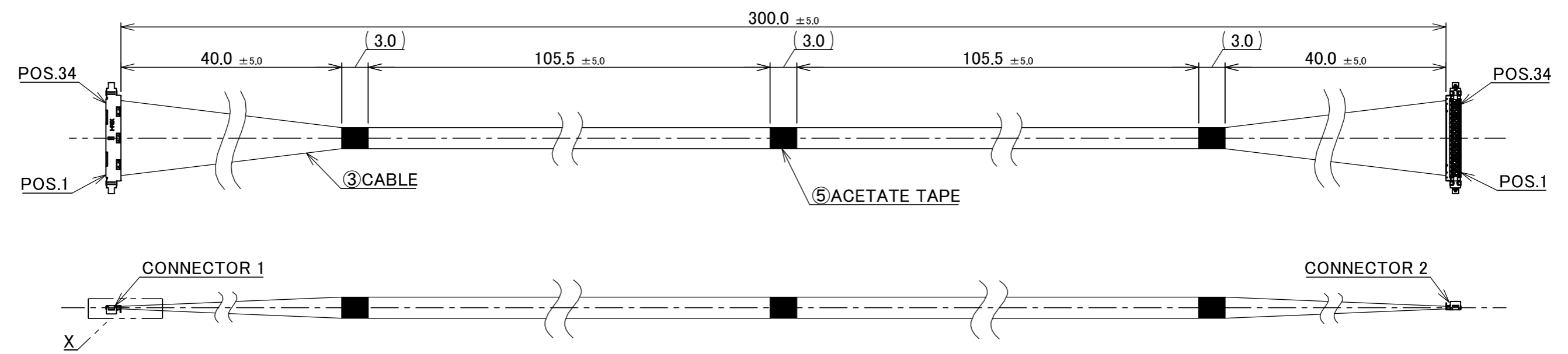
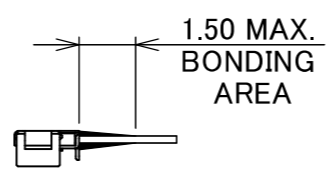


PART NO.
83051-100B-01-D

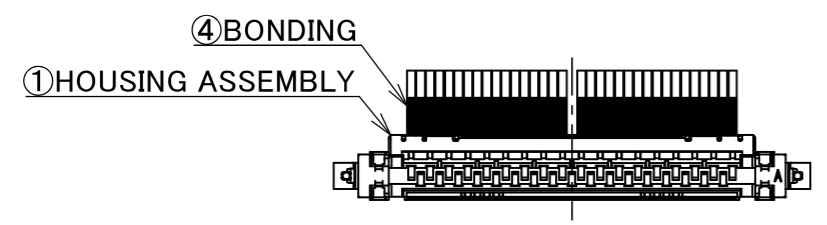
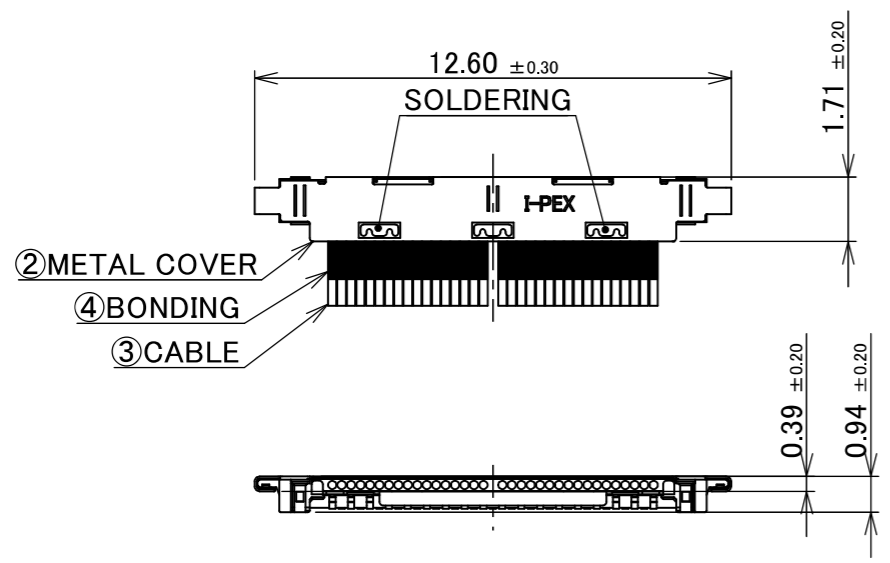


CONNECTOR 1&2
(S=5/1)



PIN ASSIGNMENT		
CONNECTOR 1	CABLE	CONNECTOR 2
34	MICRO-COAXIAL CABLE AWG #46 50 OHM, BLUE	34
33	MICRO-COAXIAL CABLE AWG #46 50 OHM, BLUE	33
·	MICRO-COAXIAL CABLE AWG #46 50 OHM, BLUE	·
·	MICRO-COAXIAL CABLE AWG #46 50 OHM, BLUE	·
2	MICRO-COAXIAL CABLE AWG #46 50 OHM, BLUE	2
1	MICRO-COAXIAL CABLE AWG #46 50 OHM, BLUE	1

- NOTE.
1. TO HANDLE THIS CONNECTOR YOU MUST READ AND FOLLOW THE INSTRUCTION MANUAL BELOW. I-PEX INSTRUCTION MANUAL No.HIM-10001.
 2. ELECTRIC CHARACTERISTICS
WITHSTANDVOLTAGE : AC 100V LEAKAGE CURRENT 2.0mA MAX.
INSULATION RESISTANCE : 50MΩ MIN. DC 100V
 3. THE OPERATING TEMPERATURE OF THE HARNESS : 80°C MAX.
 4. RATING VOLTAGE : 30V



NO.	DESCRIPTION	PARTS NO.	QTY	REMARK
5	ACETATE TAPE	-	3	BLACK
4	BONDING	-	-	UV GLUE
3	CABLE	-	34	MICRO-COAXIAL CABLE AWG #46, 50 OHM, BLUE
2	METAL COVER	2799-0341	2	CONNECTOR 1 & 2 CABLIN [®] -UX II PLUG P/N : 20531-034T-02-1 CONNECTOR TO BE MATED : 20533-234E
1	HOUSING ASSEMBLY	20532-034T-02-1	2	

REVISION RECORD					GENERAL TOLERANCE.			PROJECTION		SERIES No.		CUSTOMER COPY	
0	ZM00927	K.Fu	2026/06/02	-	ANGLE	±2°	6 OVER 30 MAX.	±0.3		IH-200016	TITLE	SCALE	UNIT
REV.	ECN	BY	DATE	APP.	6 MAX.	±0.2	30 OVER 120 MAX.	±0.5					
					DWG. K.Fukutomi			DATE 2026/06/02		CABLIN [®] -UX II		2:1	
					CHK. R.Takei					34P HARNESS		mm	
					APP. T.Masunaga			DWG. No. 83051		SIZE A3		SHEET 1/1	
										REV. 0			

Confidential C

I-PEX Inc.

QKE-DFE06-02 REV.12