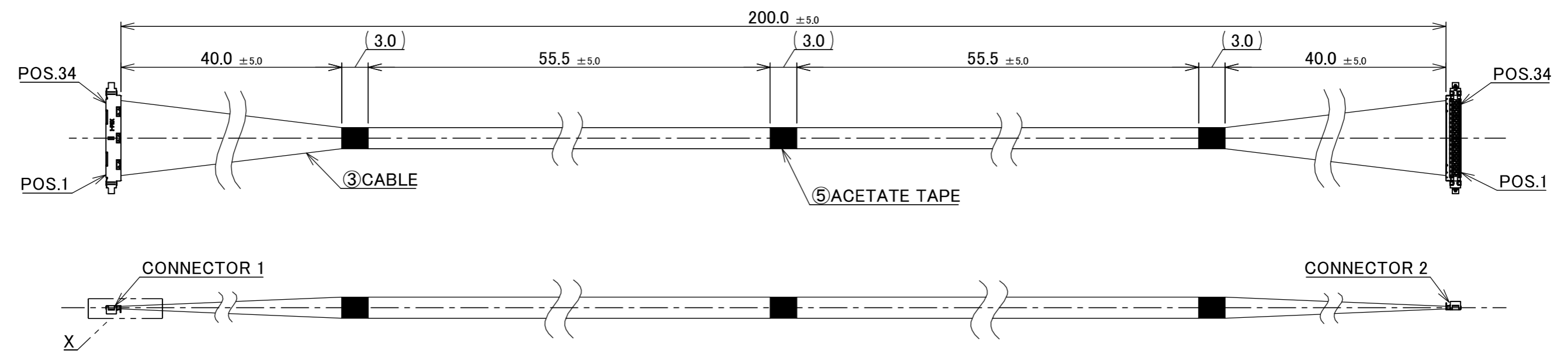
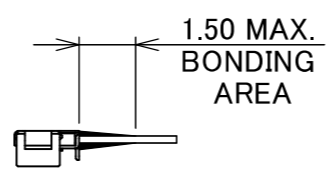


PART NO.
83050-100B-01-D

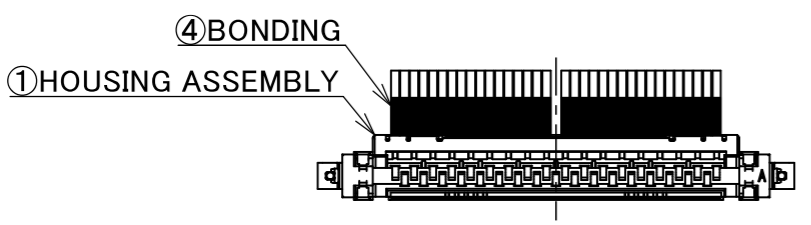
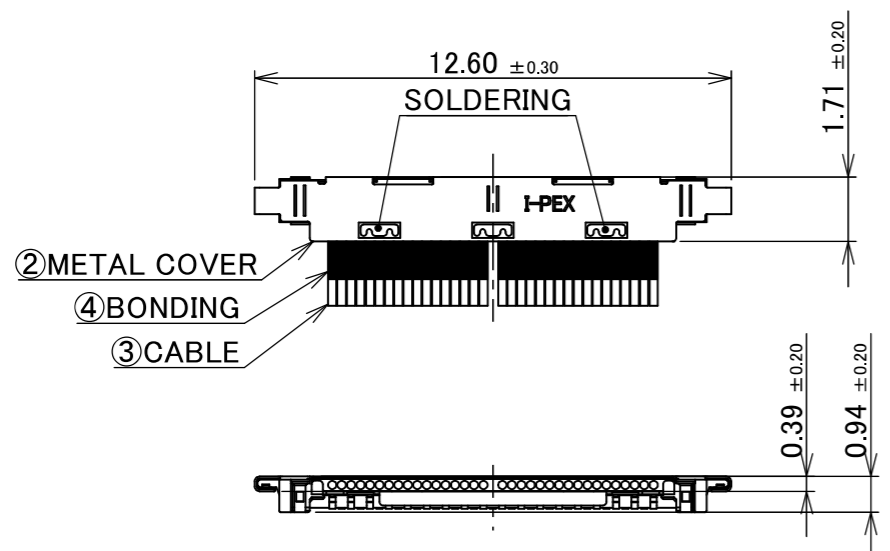


CONNECTOR 1&2
(S=5/1)



PIN ASSIGNMENT		
CONNECTOR 1	CABLE	CONNECTOR 2
34	MICRO-COAXIAL CABLE AWG #46 50 OHM, BLUE	34
33	MICRO-COAXIAL CABLE AWG #46 50 OHM, BLUE	33
.	MICRO-COAXIAL CABLE AWG #46 50 OHM, BLUE	.
2	MICRO-COAXIAL CABLE AWG #46 50 OHM, BLUE	2
1	MICRO-COAXIAL CABLE AWG #46 50 OHM, BLUE	1

- NOTE.
1. TO HANDLE THIS CONNECTOR YOU MUST READ AND FOLLOW THE INSTRUCTION MANUAL BELOW. I-PEX INSTRUCTION MANUAL No.HIM-10001.
 2. ELECTRIC CHARACTERISTICS
WITHSTANDVOLTAGE : AC 100V LEAKAGE CURRENT 2.0mA MAX.
INSULATION RESISTANCE : 50MΩ MIN. DC 100V
 3. THE OPERATING TEMPERATURE OF THE HARNESS : 80°C MAX.
 4. RATING VOLTAGE : 30V



5	ACETATE TAPE	-	3	BLACK
4	BONDING	-	-	UV GLUE
3	CABLE	-	34	MICRO-COAXIAL CABLE AWG #46, 50 OHM, BLUE
2	METAL COVER	2799-0341	2	CONNECTOR 1 & 2
1	HOUSING ASSEMBLY	20532-034T-02-1	2	CABLIN [®] -UX II PLUG P/N : 20531-034T-02-1 CONNECTOR TO BE MATED : 20533-234E
NO.	DESCRIPTION	PARTS NO.	QTY	REMARK

<table border="0"> <tr> <td>ANGLE</td> <td>±2°</td> <td>6 OVER 30 MAX.</td> <td>±0.3</td> <td rowspan="2">PROJECTION ⊕</td> <td rowspan="2">SERIES No. IH-200016</td> <td rowspan="2">CUSTOMER COPY</td> </tr> <tr> <td></td> <td>6 MAX.</td> <td>±0.2</td> <td>30 OVER 120 MAX.</td> <td>±0.5</td> </tr> </table>					ANGLE	±2°	6 OVER 30 MAX.	±0.3	PROJECTION ⊕	SERIES No. IH-200016	CUSTOMER COPY		6 MAX.	±0.2	30 OVER 120 MAX.	±0.5
ANGLE	±2°	6 OVER 30 MAX.	±0.3	PROJECTION ⊕	SERIES No. IH-200016	CUSTOMER COPY										
	6 MAX.	±0.2	30 OVER 120 MAX.				±0.5									
GENERAL TOLERANCE.																
<table border="0"> <tr> <td>DWG.</td> <td>K.Fukutomi</td> <td>DATE</td> <td>2026/06/02</td> <td rowspan="2">TITLE CABLIN[®]-UX II 34P HARNESS</td> <td rowspan="2">SCALE 2:1</td> <td rowspan="2">UNIT mm</td> <td rowspan="2">I-PEX</td> </tr> <tr> <td>CHK.</td> <td>R.Takei</td> <td></td> <td></td> </tr> </table>					DWG.	K.Fukutomi	DATE	2026/06/02	TITLE CABLIN [®] -UX II 34P HARNESS	SCALE 2:1	UNIT mm	I-PEX	CHK.	R.Takei		
DWG.	K.Fukutomi	DATE	2026/06/02	TITLE CABLIN [®] -UX II 34P HARNESS	SCALE 2:1	UNIT mm	I-PEX									
CHK.	R.Takei															
0	ZM00927	K.Fu	2026/06/02	-	DWG. No.	83050	SIZE A3	SHEET 1/1	REV. 0							
REVISION RECORD																

Confidential C

I-PEX Inc.

QKE-DFE06-02 REV.12