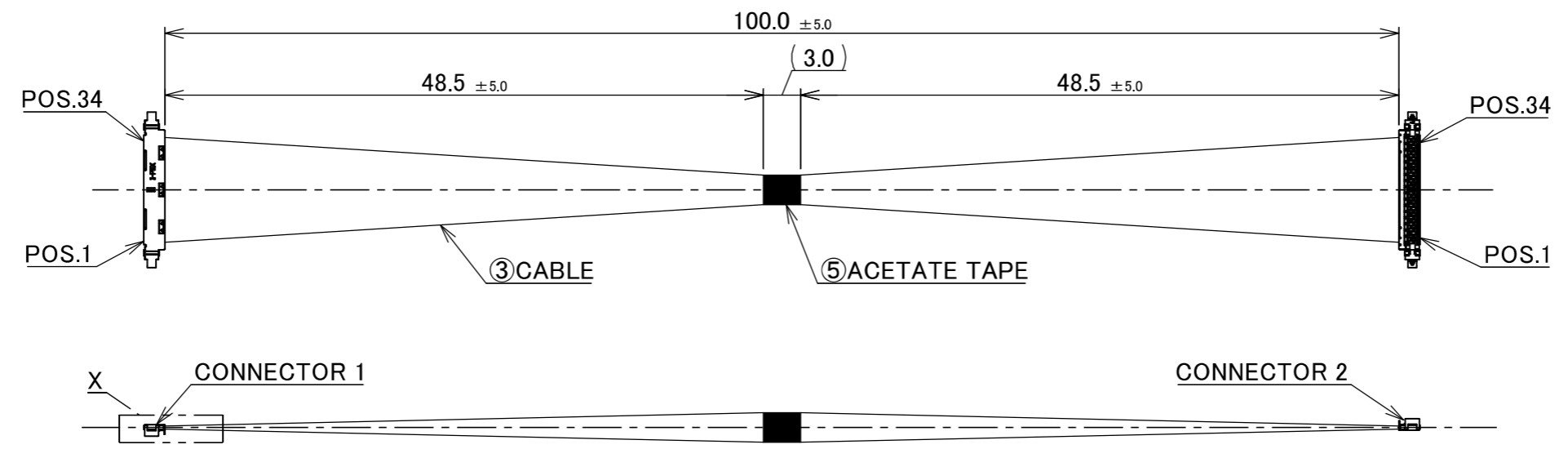
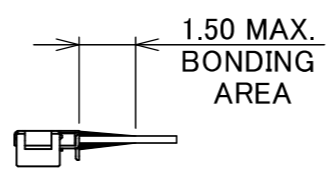


PART NO.
83049-100B-01-D

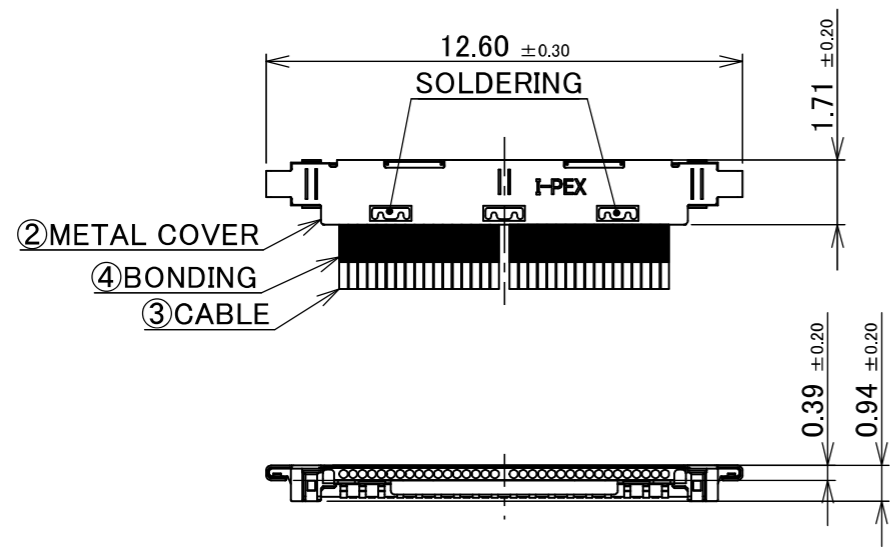


CONNECTOR 1&2
(S=5/1)

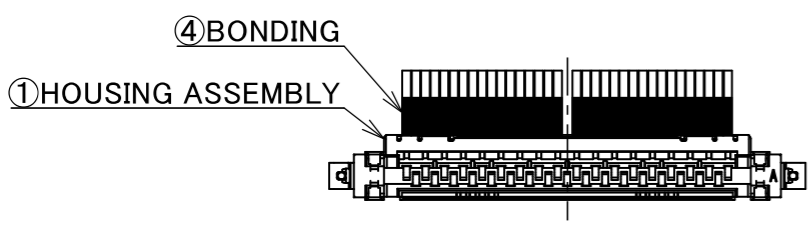


PIN ASSIGNMENT		
CONNECTOR 1	CABLE	CONNECTOR 2
34	MICRO-COAXIAL CABLE AWG #46 50 OHM, BLUE	34
33	MICRO-COAXIAL CABLE AWG #46 50 OHM, BLUE	33
.	MICRO-COAXIAL CABLE AWG #46 50 OHM, BLUE	.
.	MICRO-COAXIAL CABLE AWG #46 50 OHM, BLUE	.
2	MICRO-COAXIAL CABLE AWG #46 50 OHM, BLUE	2
1	MICRO-COAXIAL CABLE AWG #46 50 OHM, BLUE	1

- NOTE.
- TO HANDLE THIS CONNECTOR YOU MUST READ AND FOLLOW THE INSTRUCTION MANUAL BELOW. I-PEX INSTRUCTION MANUAL No.HIM-10001.
 - ELECTRIC CHARACTERISTICS
WITHSTANDVOLTAGE : AC 100V LEAKAGE CURRENT 2.0mA MAX.
INSULATION RESISTANCE : 50MΩ MIN. DC 100V
 - THE OPERATING TEMPERATURE OF THE HARNESS : 80°C MAX.
 - RATING VOLTAGE : 30V



5	ACETATE TAPE	-	1	BLACK
4	BONDING	-	-	UV GLUE
3	CABLE	-	34	MICRO-COAXIAL CABLE AWG #46, 50 OHM, BLUE
2	METAL COVER	2799-0341	2	CONNECTOR 1 & 2
1	HOUSING ASSEMBLY	20532-034T-02-1	2	CABLIN [®] -UX II PLUG P/N : 20531-034T-02-1 CONNECTOR TO BE MATED : 20533-234E
NO.	DESCRIPTION	PARTS NO.	QTY	REMARK



ANGLE	±2°	6 OVER 30 MAX.	±0.3	PROJECTION ⊕	SERIES No. IH-200016	CUSTOMER COPY			
	6 MAX.	±0.2	30 OVER 120 MAX.				±0.5		
GENERAL TOLERANCE.				TITLE CABLIN [®] -UX II 34P HARNESS	SCALE 2:1	UNIT mm			
DWG.	K.Fukutomi		DATE				2026/06/02		
CHK.	R.Takei								
REV.	ECN	BY	DATE	APP.	DWG. No.	83049	SIZE A3	SHEET 1/1	REV. 0
REVISION RECORD					T.Masunaga				

Confidential C

I-PEX Inc.

QKE-DFE06-02 REV.12