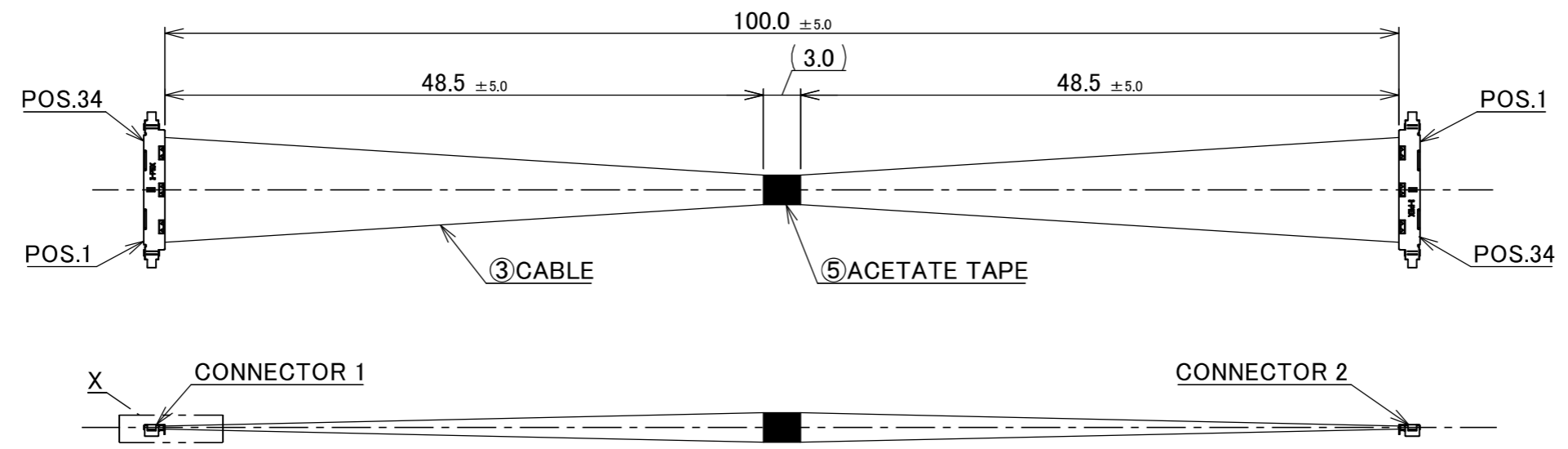
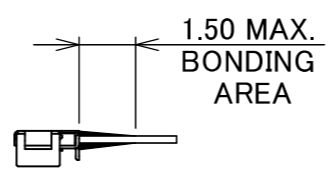
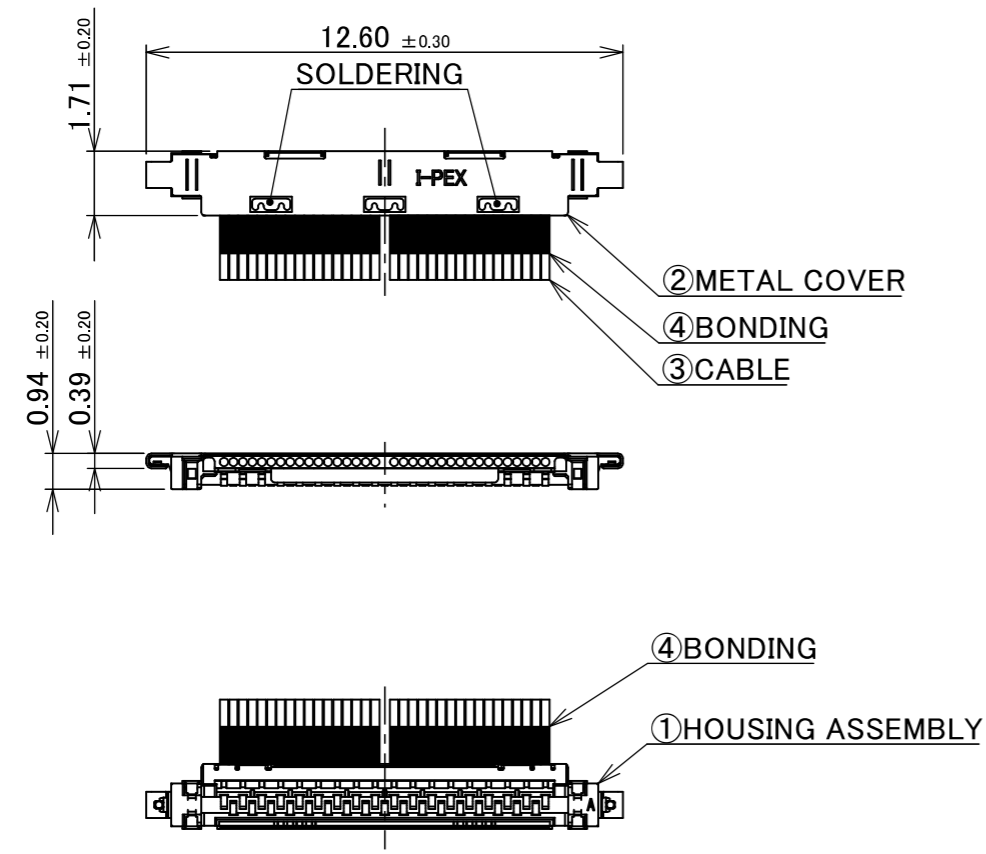


PART NO.
82905-100B-02-D



CONNECTOR 1&2
(S=5/1)



PIN ASSIGNMENT		
CONNECTOR 1	CABLE	CONNECTOR 2
34	MICRO-COAXIAL CABLE AWG #46 50 OHM, BLUE	1
33	MICRO-COAXIAL CABLE AWG #46 50 OHM, BLUE	2
.	MICRO-COAXIAL CABLE AWG #46 50 OHM, BLUE	.
.	MICRO-COAXIAL CABLE AWG #46 50 OHM, BLUE	.
2	MICRO-COAXIAL CABLE AWG #46 50 OHM, BLUE	33
1	MICRO-COAXIAL CABLE AWG #46 50 OHM, BLUE	34

- NOTE.
1. TO HANDLE THIS CONNECTOR YOU MUST READ AND FOLLOW THE INSTRUCTION MANUAL BELOW. I-PEX INSTRUCTION MANUAL No.HIM-10001.
 2. ELECTRIC CHARACTERISTICS
WITHSTANDVOLTAGE : AC 100V LEAKAGE CURRENT 2.0mA MAX.
INSULATION RESISTANCE : 50MΩ MIN. DC 100V
 3. THE OPERATING TEMPERATURE OF THE HARNESS : 80°C MAX.
 4. RATING VOLTAGE : 30V

5	ACETATE TAPE	-	1	BLACK
4	BONDING	-	-	UV GLUE
3	CABLE	-	34	MICRO-COAXIAL CABLE AWG #46, 50 OHM, BLUE
2	METAL COVER	2799-0341	2	CONNECTOR 1 & 2
1	HOUSING ASSEMBLY	20532-034T-02-1	2	CABLIN [®] -UX II PLUG P/N : 20531-034T-02-1 CONNECTOR TO BE MATED : 20533-234E
NO.	DESCRIPTION	PARTS NO.	QTY	REMARK
		ANGLE ±2°	6 OVER 30 MAX.	±0.3
		6 MAX. ±0.2	30 OVER 120 MAX.	±0.5
GENERAL TOLERANCE.				PROJECTION
DWG. K.Baba				DATE 2026/04/07
CHK. R.Takei				SERIES No. IH-200016
REV. ECN BY DATE APP.				TITLE CABLIN [®] -UX II 34P HARNESS
REVISION RECORD				SCALE 2:1
T.Masunaga				UNIT mm
				SIZE A3
				SHEET 1/1
				REV. 0