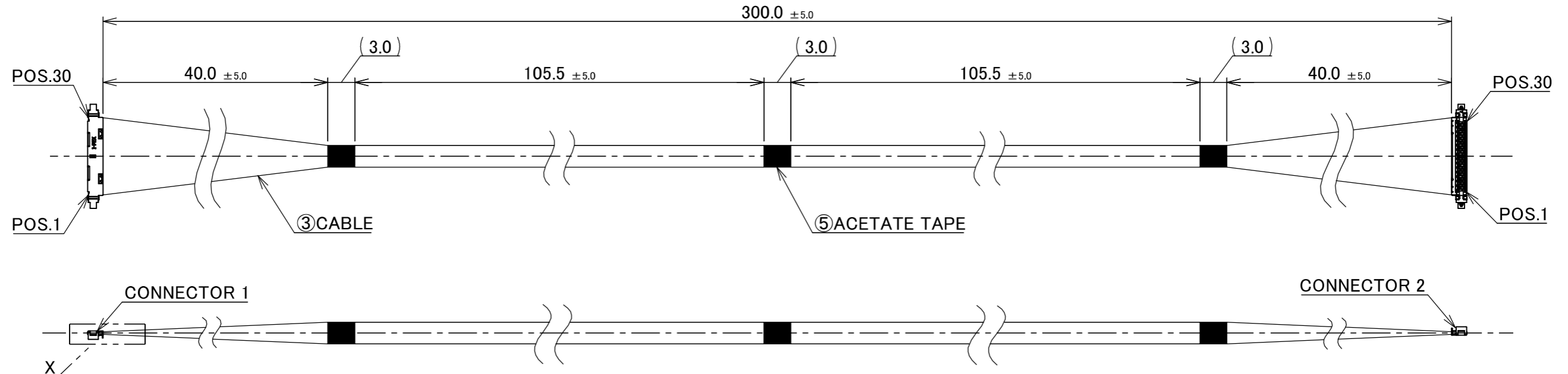
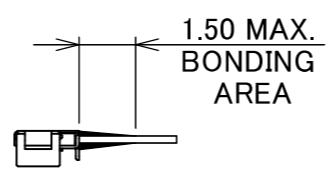


PART NO.
83048-100B-01-D

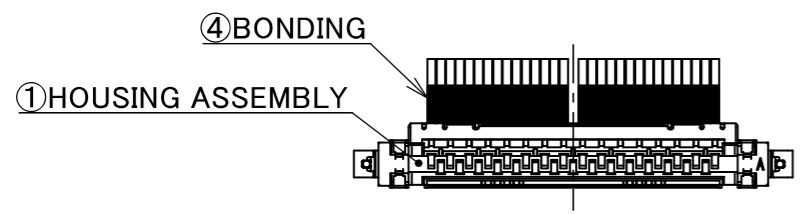
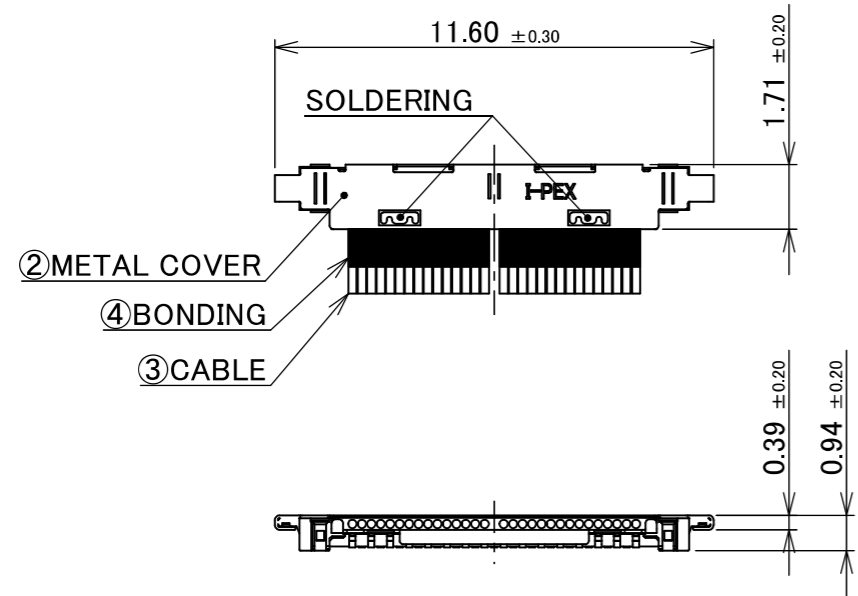


PIN ASSIGNMENT		
CONNECTOR 1	CABLE	CONNECTOR 2
30	MICRO-COAXIAL CABLE AWG #46 50 OHM, BLUE	30
29	MICRO-COAXIAL CABLE AWG #46 50 OHM, BLUE	29
⋮	MICRO-COAXIAL CABLE AWG #46 50 OHM, BLUE	⋮
2	MICRO-COAXIAL CABLE AWG #46 50 OHM, BLUE	2
1	MICRO-COAXIAL CABLE AWG #46 50 OHM, BLUE	1

CONNECTOR 1&2
(S=5/1)



- NOTE.
- TO HANDLE THIS CONNECTOR YOU MUST READ AND FOLLOW THE INSTRUCTION MANUAL BELOW. I-PEX INSTRUCTION MANUAL No.HIM-10001.
 - ELECTRIC CHARACTERISTICS
WITHSTANDVOLTAGE : AC 100V LEAKAGE CURRENT 2.0mA MAX.
INSULATION RESISTANCE : 50MΩ MIN. DC 100V
 - THE OPERATING TEMPERATURE OF THE HARNESS : 80°C MAX.
 - RATING VOLTAGE : 30V



5	ACETATE TAPE	-	3	BLACK
4	BONDING	-	-	UV GLUE
3	CABLE	-	30	MICRO-COAXIAL CABLE AWG #46, 50 OHM, BLUE
2	METAL COVER	2799-0301	2	CONNECTOR 1 & 2 CABLIN [®] -UX II PLUG P/N : 20531-030T-02 CONNECTOR TO BE MATED : 20533-230E
1	HOUSING ASSEMBLY	20532-030T-02	2	
NO.	DESCRIPTION	PARTS NO.	QTY	REMARK

REVISION RECORD					ANGLE $\pm 2^\circ$ 6 OVER 30 MAX. ± 0.3 6 MAX. ± 0.2 30 OVER 120 MAX. ± 0.5	PROJECTION 	SERIES No. IH-200016	CUSTOMER COPY	
0 ZM00927 K.Fu 2026/06/02 -					GENERAL TOLERANCE. DWG. K.Fukutomi DATE 2026/06/02 CHK. R.Takei		TITLE CABLIN [®] -UX II 30P HARNESS	SCALE	
REV.	ECN	BY	DATE	APP.	APP. T.Masunaga	DWG. No. 83048		2:1	
							mm		
							SIZE	SHEET	REV.
							A3	1/1	0

Confidential C

I-PEX Inc.

QKE-DFE06-02 REV.12