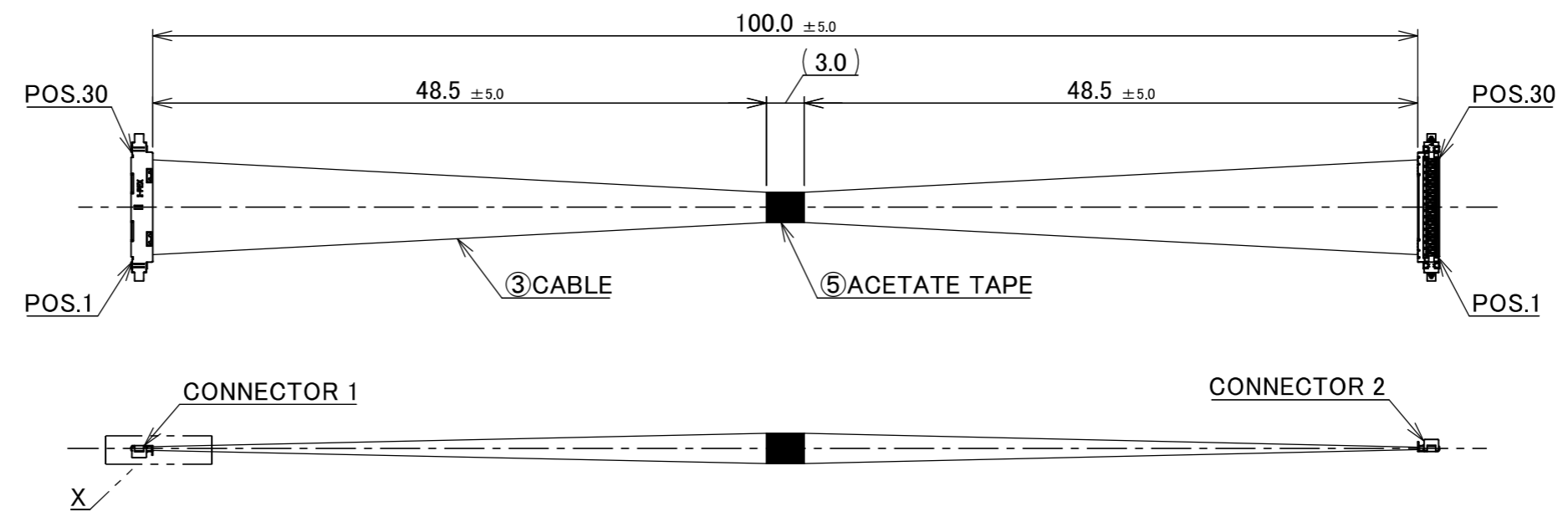
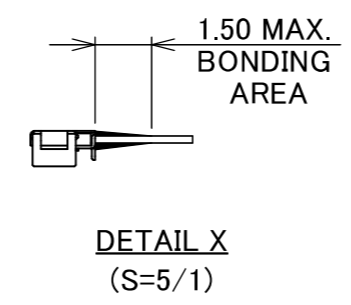
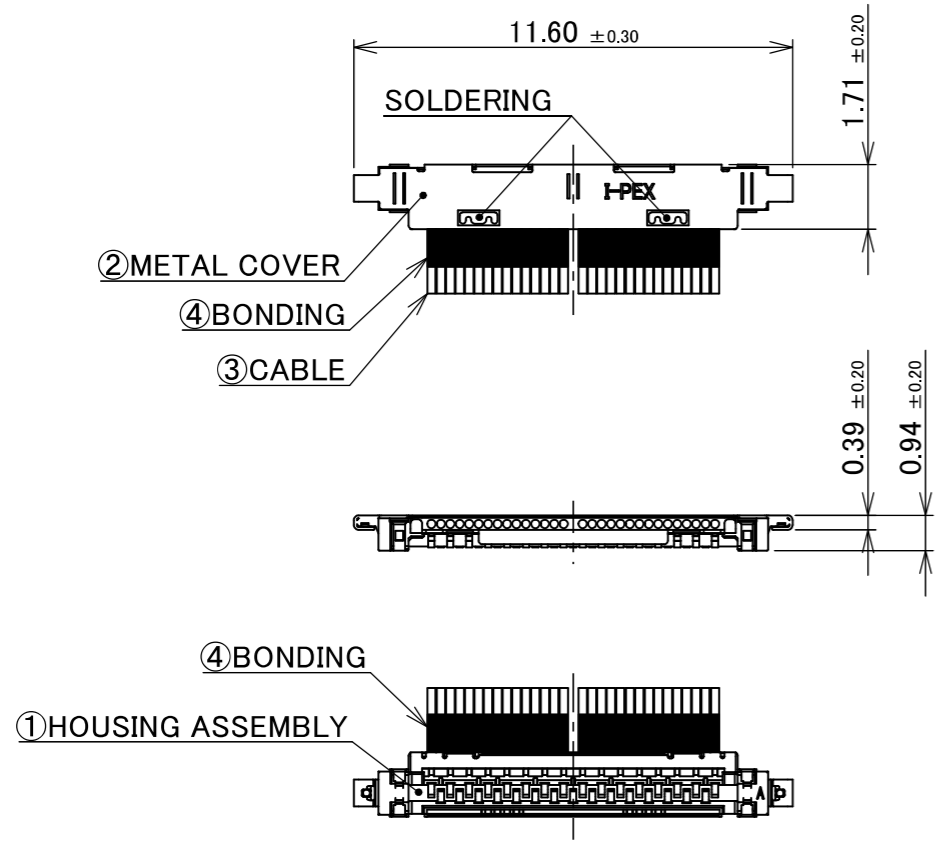


PART NO.  
83046-100B-01-D



**CONNECTOR 1&2  
(S=5/1)**



PIN ASSIGNMENT		
CONNECTOR 1	CABLE	CONNECTOR 2
30	MICRO-COAXIAL CABLE AWG #46 50 OHM, BLUE	30
29	MICRO-COAXIAL CABLE AWG #46 50 OHM, BLUE	29
•	MICRO-COAXIAL CABLE AWG #46 50 OHM, BLUE	•
•	MICRO-COAXIAL CABLE AWG #46 50 OHM, BLUE	•
•	MICRO-COAXIAL CABLE AWG #46 50 OHM, BLUE	•
2	MICRO-COAXIAL CABLE AWG #46 50 OHM, BLUE	2
1	MICRO-COAXIAL CABLE AWG #46 50 OHM, BLUE	1

NOTE.  
 1. TO HANDLE THIS CONNECTOR YOU MUST READ AND FOLLOW THE INSTRUCTION MANUAL BELOW. I-PEX INSTRUCTION MANUAL No. HIM-10001.  
 2. ELECTRIC CHARACTERISTICS  
 WITHSTANDVOLTAGE : AC 100V LEAKAGE CURRENT 2.0mA MAX.  
 INSULATION RESISTANCE : 50MΩ MIN. DC 100V  
 3. THE OPERATING TEMPERATURE OF THE HARNESS : 80°C MAX.  
 4. RATING VOLTAGE : 30V

5	ACETATE TAPE	-	1	BLACK
4	BONDING	-	-	UV GLUE
3	CABLE	-	30	MICRO-COAXIAL CABLE AWG #46, 50 OHM, BLUE
2	METAL COVER	2799-0301	2	CONNECTOR 1 & 2 CABLIN <sup>®</sup> -UX II PLUG P/N : 20531-030T-02 CONNECTOR TO BE MATED : 20533-230E
1	HOUSING ASSEMBLY	20532-030T-02	2	
NO.	DESCRIPTION	PARTS NO.	QTY	REMARK

REVISION RECORD					ANGLE	±2°	6 OVER 30 MAX.	±0.3	PROJECTION ⊕	SERIES No. IH-200016	CUSTOMER COPY				
					6 MAX.	±0.2	30 OVER 120 MAX.	±0.5							
					GENERAL TOLERANCE.				TITLE CABLIN <sup>®</sup> -UX II 30P HARNESS	SCALE 2:1	UNIT mm	I-PEX			
1	ZM00935	K.Fu	2026/06/03	T.M	DWG.	K.Fukutomi		DATE					2026/06/02		
0	ZM00927	K.Fu	2026/06/02	-	CHK.	R.Takei		APP.							
REV.	ECN	BY	DATE	APP.	APP.	T.Masunaga		DWG. No.	83046	SIZE	A3	SHEET	1/1	REV.	1