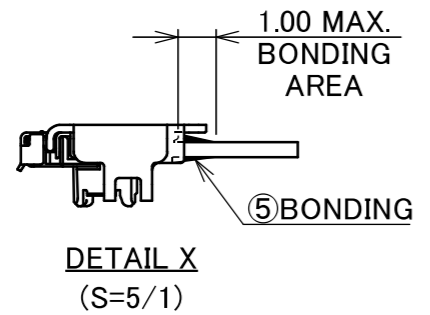
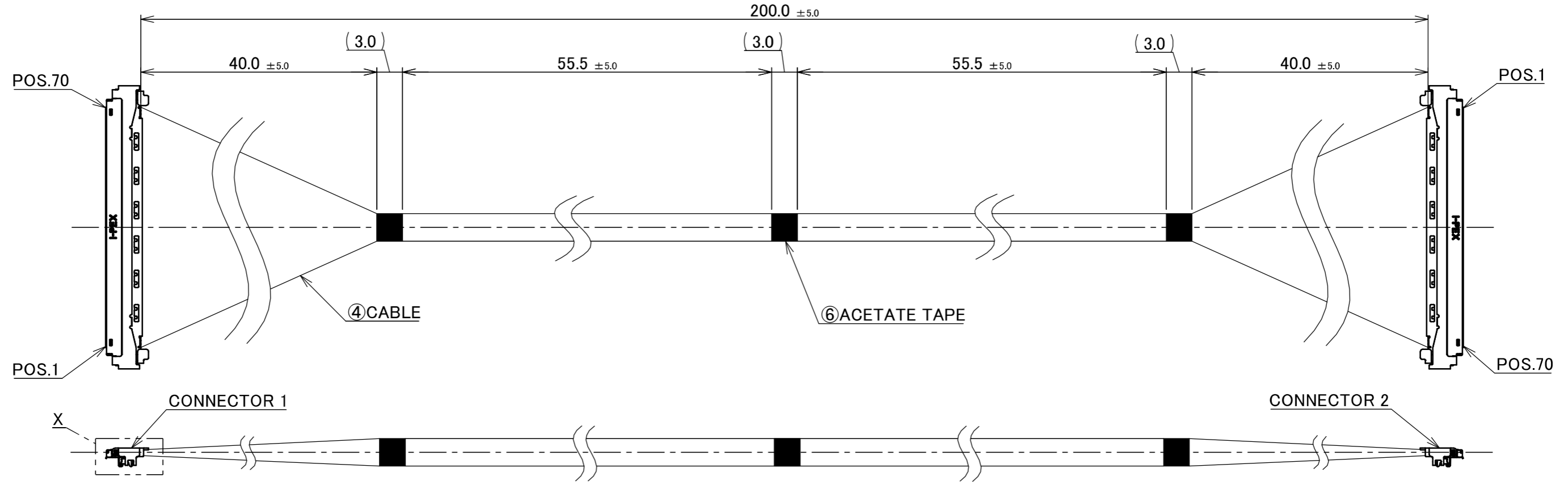


PART No.
82680-100B-02-D



PIN ASSIGNMENT		
CONNECTOR 1	CABLE	CONNECTOR 2
70	MICRO-COAXIAL CABLE AWG#40 50 OHM, BLUE	1
69	MICRO-COAXIAL CABLE AWG#40 50 OHM, BLUE	2
.	MICRO-COAXIAL CABLE AWG#40 50 OHM, BLUE	.
2	MICRO-COAXIAL CABLE AWG#40 50 OHM, BLUE	69
1	MICRO-COAXIAL CABLE AWG#40 50 OHM, BLUE	70

NO.	DESCRIPTION	PARTS NO.	QTY	REMARKS
6	ACETATE TAPE	-	3	BLACK
5	BONDING	-	-	UV GLUE
4	CABLE	-	70	MICRO-COAXIAL CABLE AWG#40 50 OHM, BLUE
3	LOCK COVER	3493-0701	2	CONNECTOR 1&2
2	SHELL-A	3488-0701	2	CABLIN [®] -UM PLUG P/N : 20877-070T-01
1	HOUSING ASSEMBLY	20878-070T-01	2	CONNECTOR TO BE MATED : 20879-070E-01

ANGLE	±2°	6 OVER 30 MAX.	±0.3	PROJECTION ⊕	SERIES No. IH-200016	CUSTOMER COPY						
	6 MAX.	±0.2	30 OVER 120 MAX.				±0.5					
GENERAL TOLERANCE.				TITLE CABLIN [®] -UM 70P HARNESS	SCALE 2:1	UNIT mm						
DWG.	K.Fukutomi		DATE				2025/12/16					
CHK.	R.Takei											
0	ZM00401	K.Fu	Dec./16/'25	-	DWG. No.	82680	SIZE	A3	SHEET	1/2	REV.	0
REVISION RECORD				H.Ikari								

- NOTE.
- TO HANDLE THIS CONNECTOR YOU MUST READ AND FOLLOW THE INSTRUCTION MANUAL BELOW.
I-PEX INSTRUCTION MANUAL No.HIM-18033.
 - ELECTRIC CHARACTERISTICS
WITHSTANDVOLTAGE : AC 250V LEAKAGE CURRENT 2.0mA MAX.
INSULATION RESISTANCE : 50MΩ MIN. DC 100V
 - THE OPERATING TEMPERATURE OF THE HARNESS : 80°C MAX.
 - RATING VOLTAGE 30V

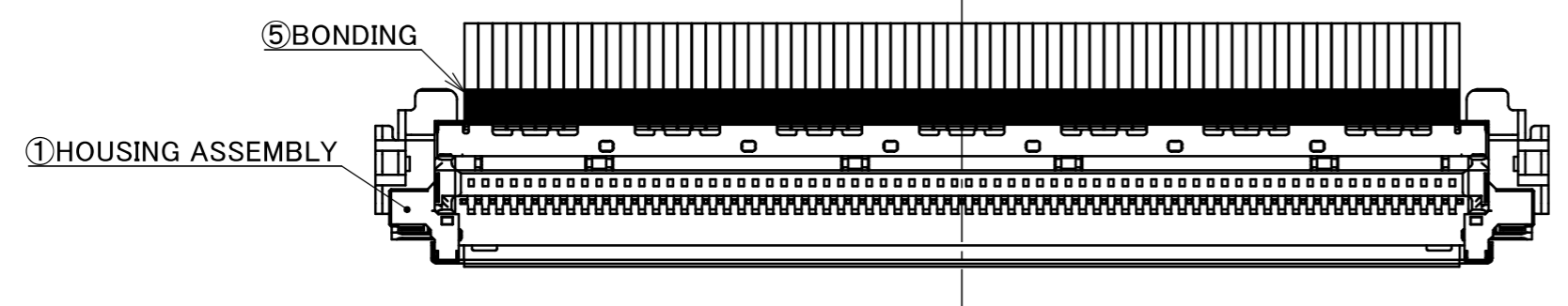
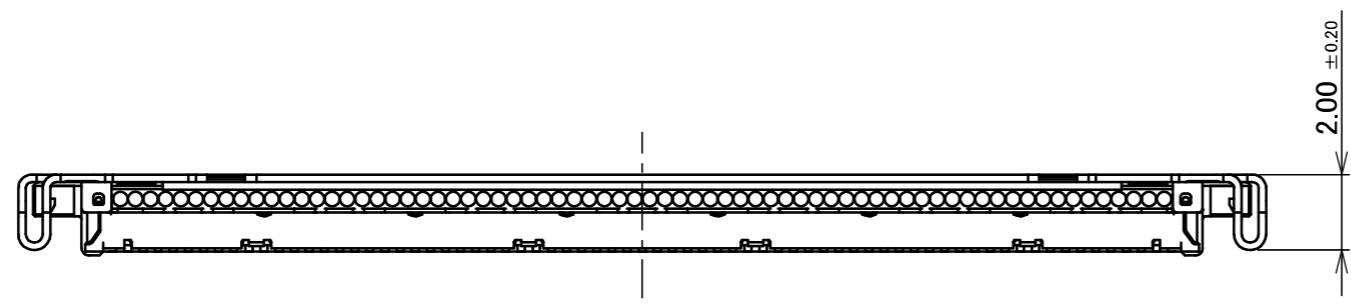
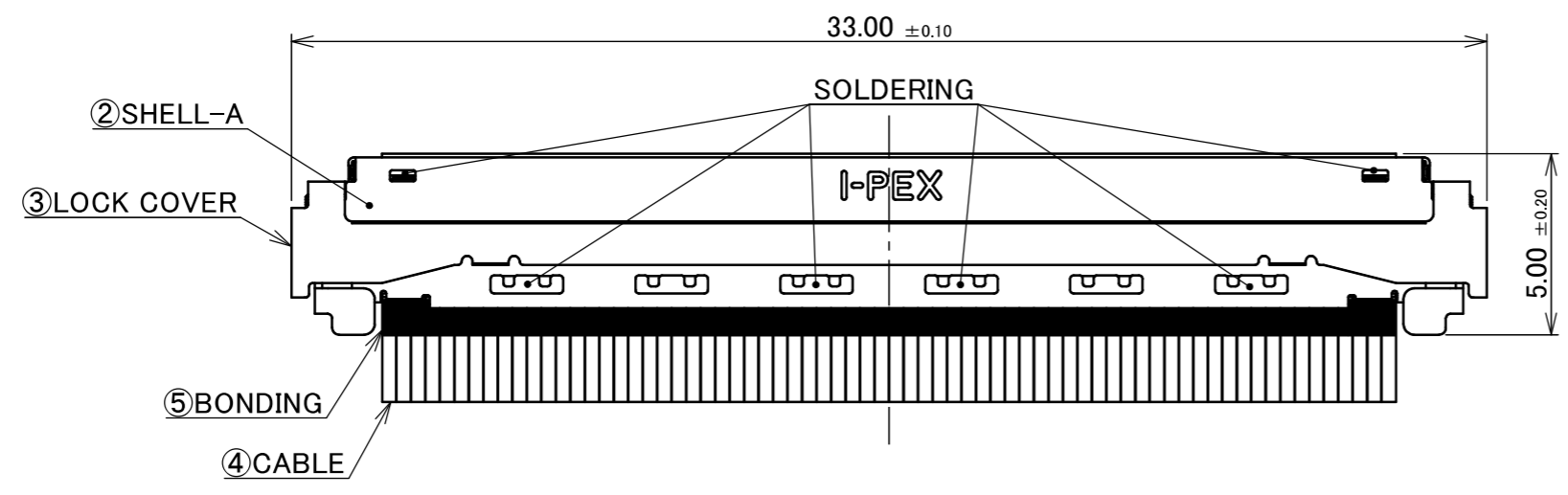
Confidential C

I-PEX Inc.

QKE-DFE06-02 REV.12

PART No.
82680-100B-02-D

CONNECTOR 1&2



ANGLE	$\pm 2^\circ$	6 OVER 30 MAX.	± 0.3	PROJECTION 	SERIES No. IH-200016	CUSTOMER COPY		
6 MAX.	± 0.2	30 OVER 120 MAX.	± 0.5					
GENERAL TOLERANCE.				TITLE CABLIN [®] -UM 70P HARNESS	SCALE 2:1	UNIT I-PEX		
DWG.	DATE							
CHK.								
APP.								
				DWG. No.	82680	SIZE	SHEET	REV.
						A3	2/2	0