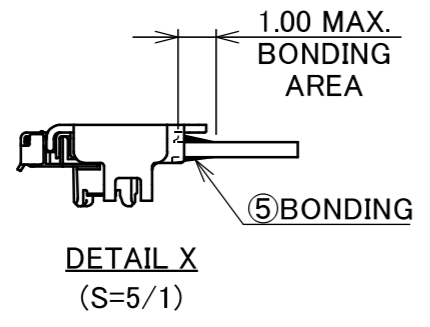
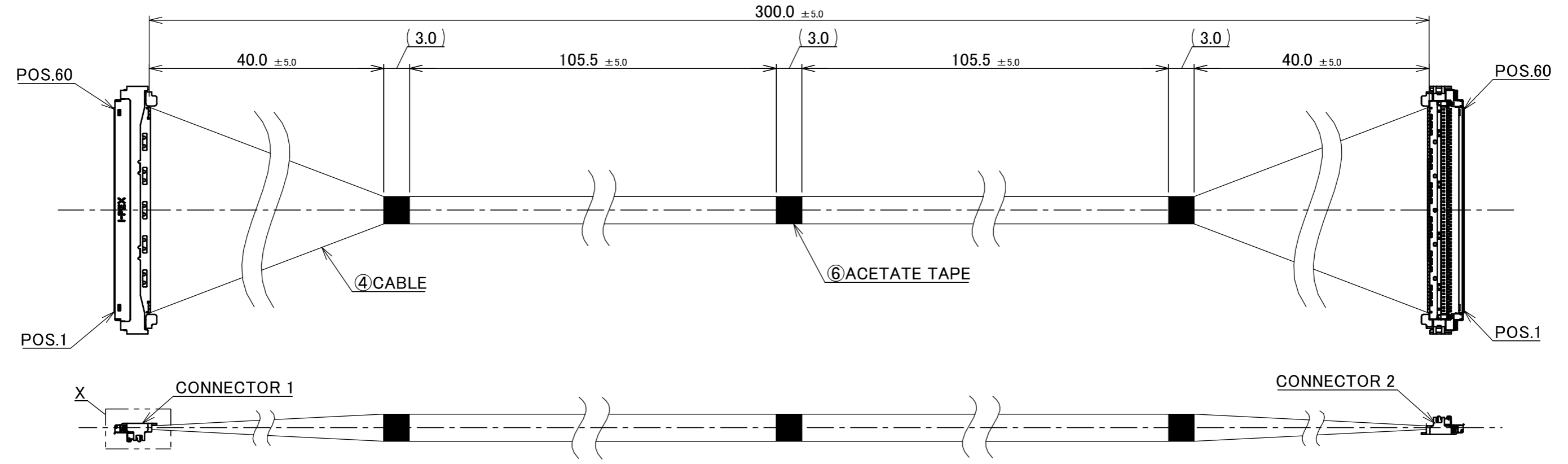


PART No.
83045-100B-01-D



PIN ASSIGNMENT		
CONNECTOR 1	CABLE	CONNECTOR 2
60	MICRO-COAXIAL CABLE AWG#40 50 OHM, BLUE	60
59	MICRO-COAXIAL CABLE AWG#40 50 OHM, BLUE	59
.	MICRO-COAXIAL CABLE AWG#40 50 OHM, BLUE	.
2	MICRO-COAXIAL CABLE AWG#40 50 OHM, BLUE	2
1	MICRO-COAXIAL CABLE AWG#40 50 OHM, BLUE	1

6	ACETATE TAPE	-	3	BLACK
5	BONDING	-	-	UV GLUE
4	CABLE	-	60	MICRO-COAXIAL CABLE AWG#40 50 OHM, BLUE
3	LOCK COVER	3493-0601	2	CONNECTOR 1&2
2	SHELL-A	3488-0601	2	CABLINE®-UM PLUG P/N : 20877-060T-01
1	HOUSING ASSEMBLY	20878-060T-01	2	CONNECTOR TO BE MATED : 20879-060E-01
NO.	DESCRIPTION	PARTS NO.	QTY	REMARKS
				ANGLE ±2° 6 OVER 30 MAX. ±0.3
				6 MAX. ±0.2 30 OVER 120 MAX. ±0.5
				PROJECTION
				SERIES No. IH-200016
				CUSTOMER COPY
				GENERAL TOLERANCE.
				TITLE
				CABLINE®-UM 60P HARNESS
				SCALE
				2:1
				UNIT
				mm
				I-PEX
0	ZM00925	K.Fu	2026/06/01	-
				CHK. R.Takei
REV.	ECN	BY	DATE	APP.
				APP. T.Masunaga
				DWG. No. 83045
				SIZE A3
				SHEET 1/2
				REV. 0

- NOTE.
- TO HANDLE THIS CONNECTOR YOU MUST READ AND FOLLOW THE INSTRUCTION MANUAL BELOW.
I-PEX INSTRUCTION MANUAL No.HIM-18033.
 - ELECTRIC CHARACTERISTICS
WITHSTANDVOLTAGE : AC 250V LEAKAGE CURRENT 2.0mA MAX.
INSULATION RESISTANCE : 50MΩ MIN. DC 100V
 - THE OPERATING TEMPERATURE OF THE HARNESS : 80°C MAX.
 - RATING VOLTAGE : 30V

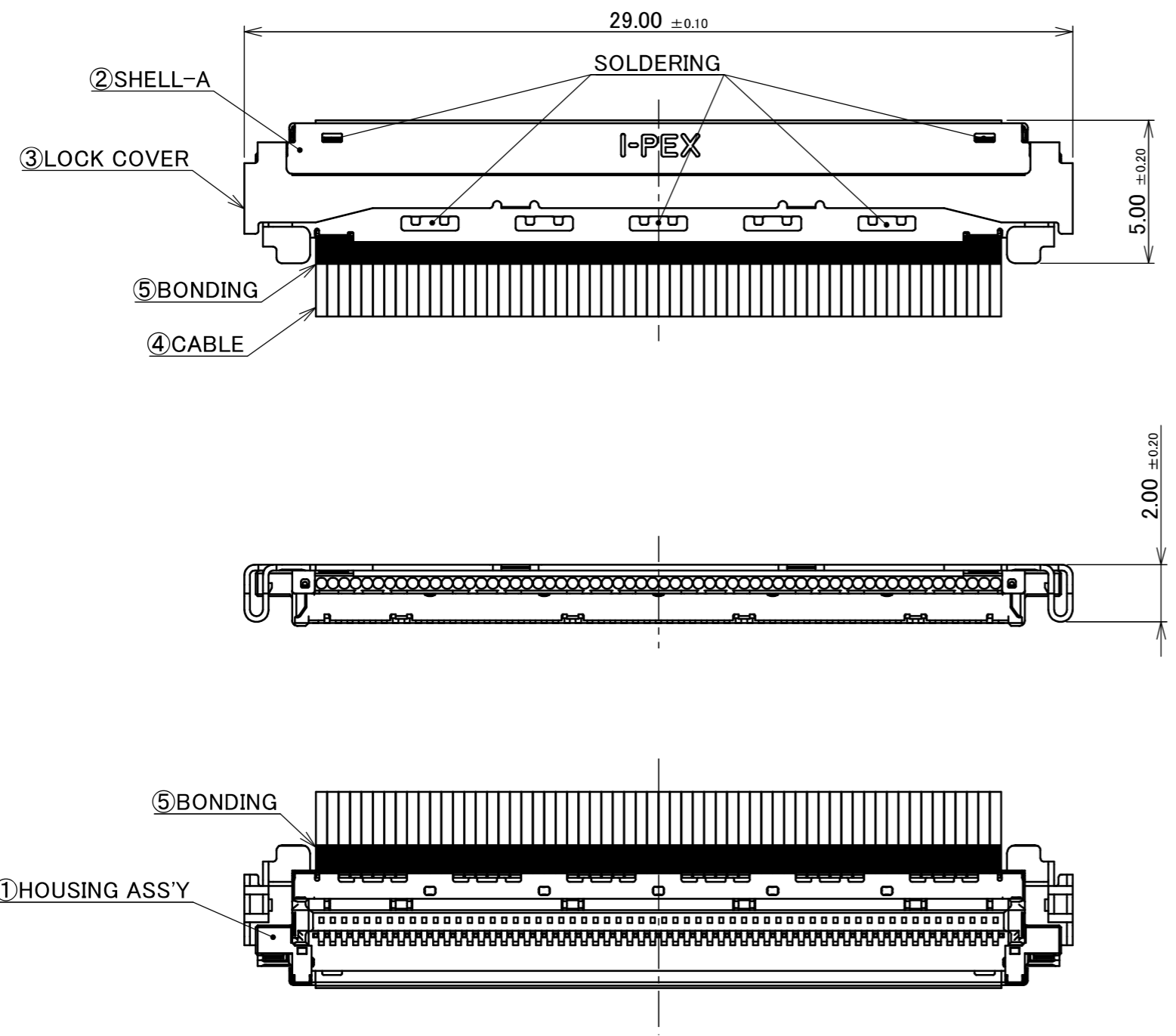
Confidential C

I-PEX Inc.

QKE-DFE06-02 REV.12

PART No.
83045-100B-01-D

CONNECTOR 1&2



ANGLE	±2°	6 OVER 30 MAX.	±0.3	PROJECTION ⊕	SERIES No. IH-200016	CUSTOMER COPY		
6 MAX.	±0.2	30 OVER 120 MAX.	±0.5					
GENERAL TOLERANCE.				TITLE CABLIN [®] -UM 60P HARNESS	SCALE 2:1	UNIT I-PEX		
DWG.	DATE							
CHK.								
APP.								
				DWG. No.	83045	SIZE A3	SHEET 2/2	REV. 0

Confidential C

I-PEX Inc.

QKE-DFE06-02 REV.12