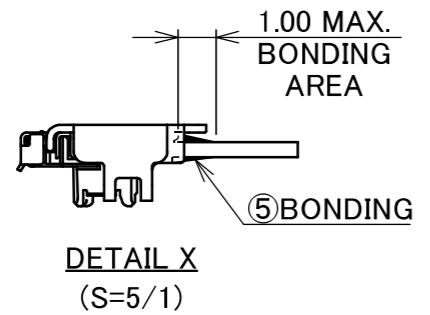
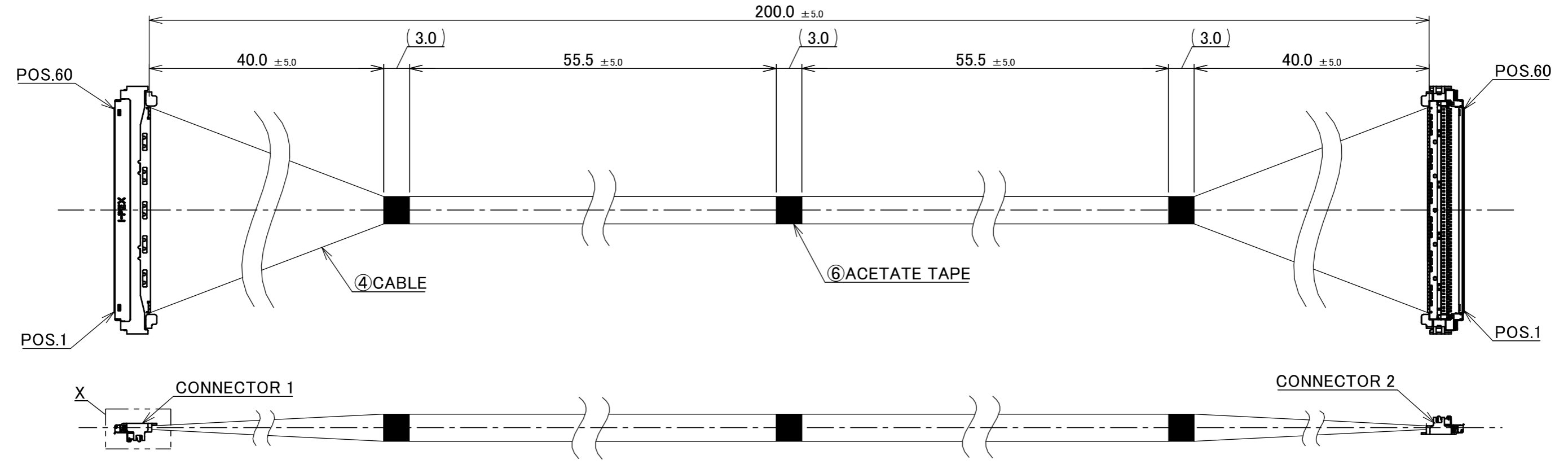


PART No.  
83044-100B-01-D



PIN ASSIGNMENT		
CONNECTOR 1	CABLE	CONNECTOR 2
60	MICRO-COAXIAL CABLE AWG#40 50 OHM, BLUE	60
59	MICRO-COAXIAL CABLE AWG#40 50 OHM, BLUE	59
.	MICRO-COAXIAL CABLE AWG#40 50 OHM, BLUE	.
2	MICRO-COAXIAL CABLE AWG#40 50 OHM, BLUE	2
1	MICRO-COAXIAL CABLE AWG#40 50 OHM, BLUE	1

- NOTE.
- TO HANDLE THIS CONNECTOR YOU MUST READ AND FOLLOW THE INSTRUCTION MANUAL BELOW.  
I-PEX INSTRUCTION MANUAL No.HIM-18033.
  - ELECTRIC CHARACTERISTICS  
WITHSTANDVOLTAGE : AC 250V LEAKAGE CURRENT 2.0mA MAX.  
INSULATION RESISTANCE : 50MΩ MIN. DC 100V
  - THE OPERATING TEMPERATURE OF THE HARNESS : 80°C MAX.
  - RATING VOLTAGE : 30V

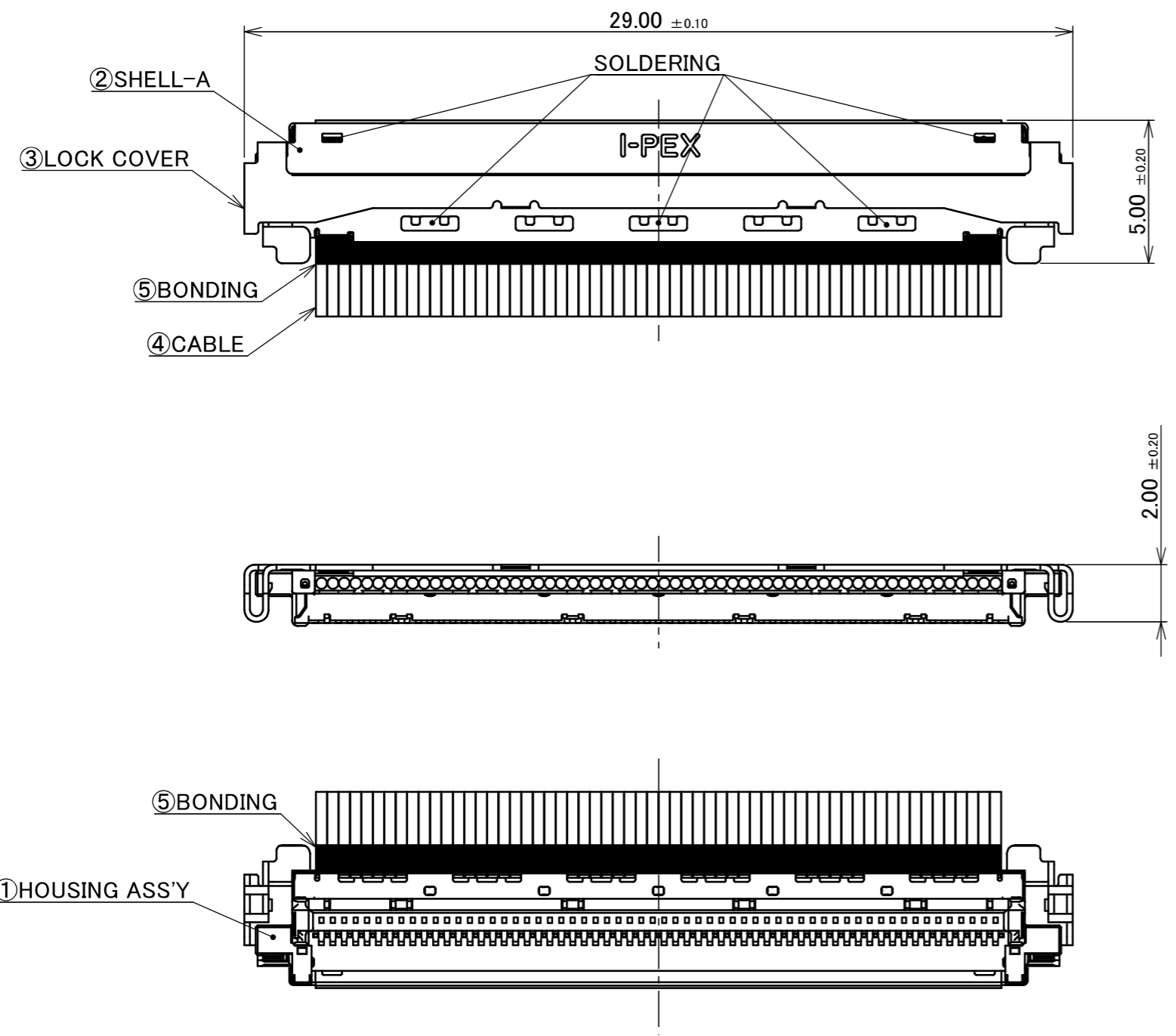
NO.	DESCRIPTION	PARTS NO.	QTY	REMARKS
6	ACETATE TAPE	-	3	BLACK
5	BONDING	-	-	UV GLUE
4	CABLE	-	60	MICRO-COAXIAL CABLE AWG#40 50 OHM, BLUE
3	LOCK COVER	3493-0601	2	CONNECTOR 1&2
2	SHELL-A	3488-0601	2	CABLINE®-UM PLUG P/N : 20877-060T-01 CONNECTOR TO BE MATED : 20879-060E-01
1	HOUSING ASSEMBLY	20878-060T-01	2	

ANGLE	±2°	6 OVER 30 MAX.	±0.3	PROJECTION ⊕	SERIES No. IH-200016	CUSTOMER COPY		
	6 MAX.	±0.2	30 OVER 120 MAX.				±0.5	
GENERAL TOLERANCE.				TITLE CABLINE®-UM 60P HARNESS	SCALE 2:1	UNIT mm		
DWG.	DATE							
K.Fukutomi	2026/06/01							
0	ZM00925	K.Fu	2026/06/01	-	CHK. R.Takei	I-PEX		
REV.	ECN	BY	DATE	APP.	APP. T.Masunaga			
REVISION RECORD				DWG. No.	83044	SIZE A3	SHEET 1/2	REV. 0

PART No.  
83044-100B-01-D

CONNECTOR 1&2



ANGLE	±2°	6 OVER 30 MAX.	±0.3	PROJECTION ⊕	SERIES No. IH-200016	CUSTOMER COPY		
6 MAX.	±0.2	30 OVER 120 MAX.	±0.5					
GENERAL TOLERANCE.				TITLE CABLIN <sup>®</sup> -UM 60P HARNESS	SCALE 2:1	UNIT <b>I-PEX</b>		
DWG.	DATE							
CHK.								
APP.								
				DWG. No.	83044	SIZE A3	SHEET 2/2	REV. 0

Confidential C

I-PEX Inc.

QKE-DFE06-02 REV.12