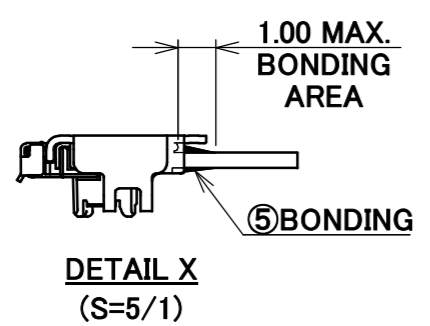
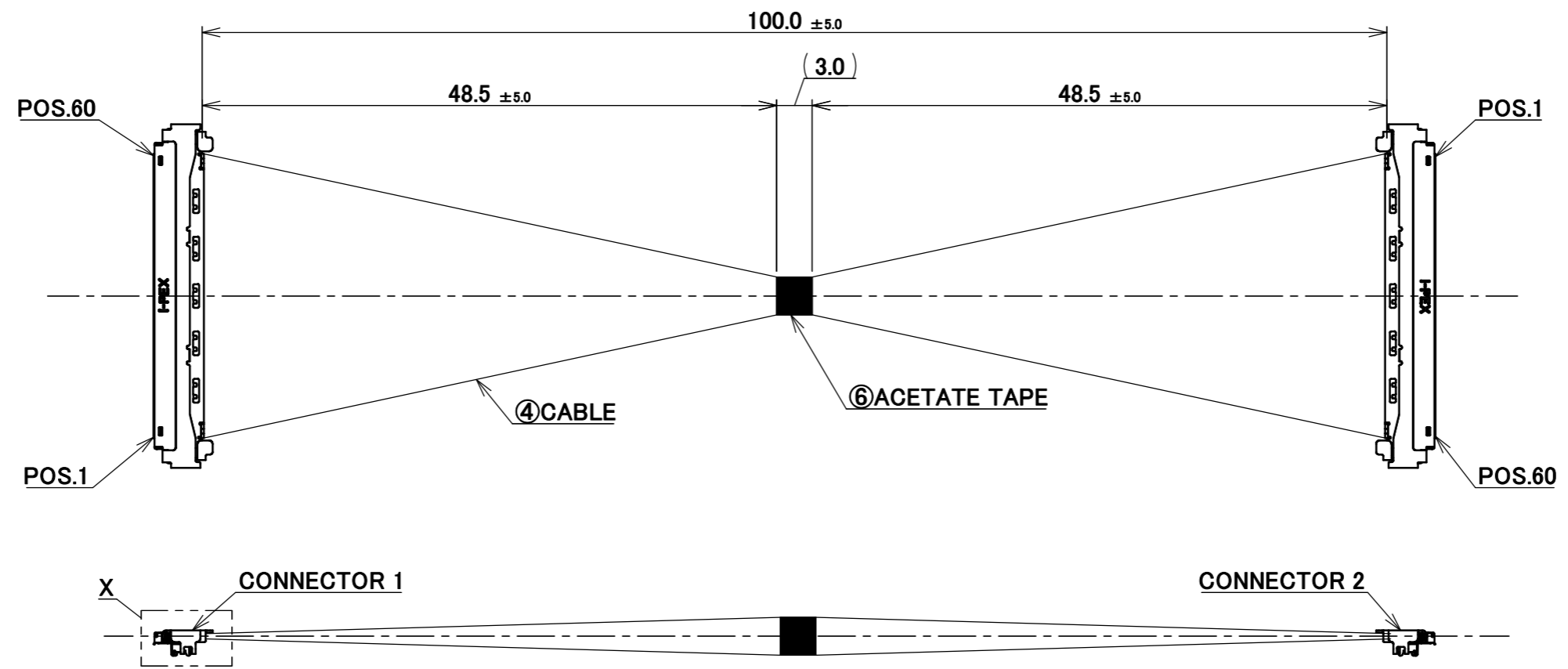


PART No.
82901-100B-02-D



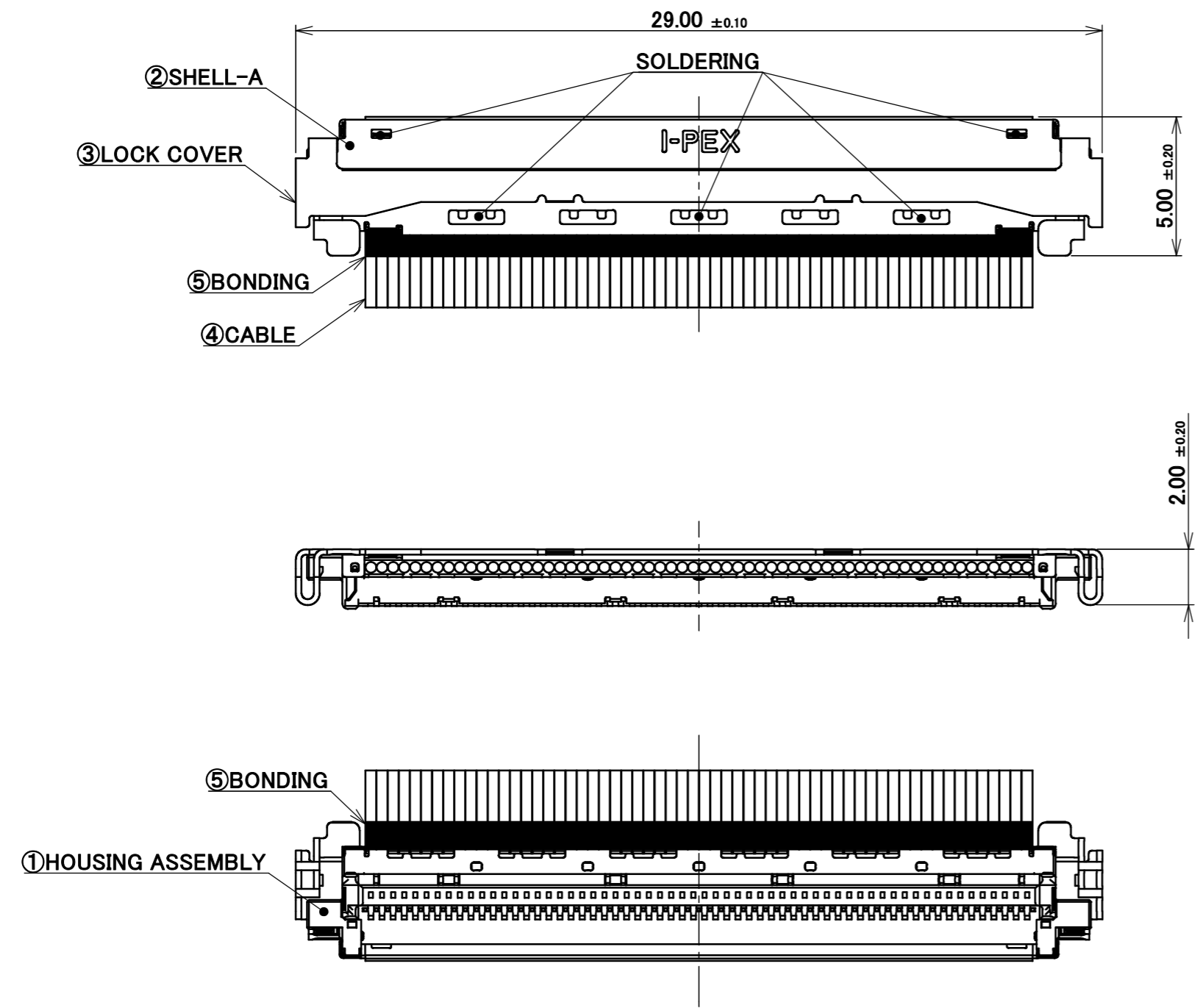
PIN ASSIGNMENT		
CONNECTOR 1	CABLE	CONNECTOR 2
60	MICRO-COAXIAL CABLE AWG#40 50 OHM, BLUE	1
59	MICRO-COAXIAL CABLE AWG#40 50 OHM, BLUE	2
.	MICRO-COAXIAL CABLE AWG#40 50 OHM, BLUE	.
.	MICRO-COAXIAL CABLE AWG#40 50 OHM, BLUE	.
2	MICRO-COAXIAL CABLE AWG#40 50 OHM, BLUE	59
1	MICRO-COAXIAL CABLE AWG#40 50 OHM, BLUE	60

6	ACETATE TAPE	-	1	BLACK
5	BONDING	-	-	UV GLUE
4	CABLE	-	60	MICRO-COAXIAL CABLE AWG#40 50 OHM, BLUE
3	LOCK COVER	3493-0601	2	CONNECTOR 1&2
2	SHELL-A	3488-0601	2	CABLIN [®] -UM PLUG P/N : 20877-060T-01
1	HOUSING ASSEMBLY	20878-060T-01	2	CONNECTOR TO BE MATED : 20879-060E-01
NO.	DESCRIPTION	PARTS NO.	QTY	REMARKS
				ANGLE ±2° 6 OVER 30 MAX. ±0.3
				6 MAX. ±0.2 30 OVER 120 MAX. ±0.5
				PROJECTION SERIES No. IH-200016
				GENERAL TOLERANCE. TITLE CABLIN [®] -UM 60P HARNESS
				DWG. K.Baba DATE 2026/04/14
				CHK. R.Takei
0	ZM00780	K.B	2026/04/14	-
REV.	ECN	BY	DATE	APP. T.Masunaga
REVISION RECORD				DWG. No. 82901
				SCALE 2:1 UNIT mm
				SIZE A3 SHEET 1/2 REV. 0
				CUSTOMER COPY I-PEX

- NOTE.
- TO HANDLE THIS CONNECTOR YOU MUST READ AND FOLLOW THE INSTRUCTION MANUAL BELOW. I-PEX INSTRUCTION MANUAL No.HIM-18033.
 - ELECTRIC CHARACTERISTICS
WITHSTANDVOLTAGE : AC 250V LEAKAGE CURRENT 2.0mA MAX.
INSULATION RESISTANCE : 50MΩ MIN. DC 100V
 - THE OPERATING TEMPERATURE OF THE HARNESS : 80°C MAX.
 - RATING VOLTAGE : 30V

PART No.
82901-100B-02-D

CONNECTOR 1&2



ANGLE	$\pm 2^\circ$	6 OVER 30 MAX.	± 0.3	PROJECTION 	SERIES No. IH-200016	CUSTOMER COPY		
6 MAX.	± 0.2	30 OVER 120 MAX.	± 0.5					
GENERAL TOLERANCE.				TITLE CABLIN [®] -UM 60P HARNESS	SCALE 2:1	I-PEX		
DWG.	DATE							
CHK.								
APP.								
DWG. No.	82901			SIZE A3	SHEET 2/2	REV. 0		