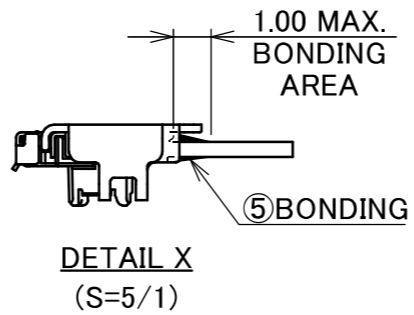
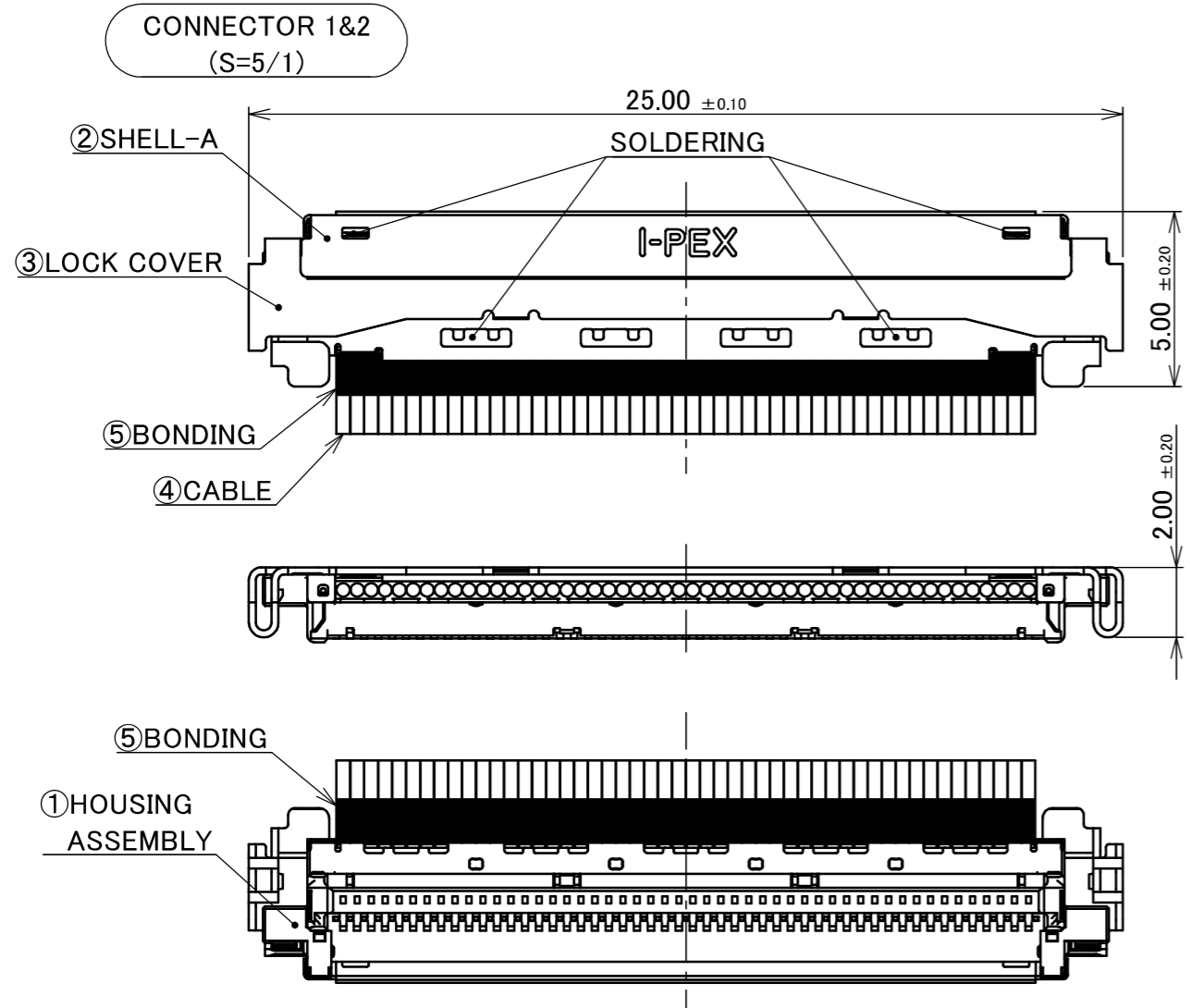
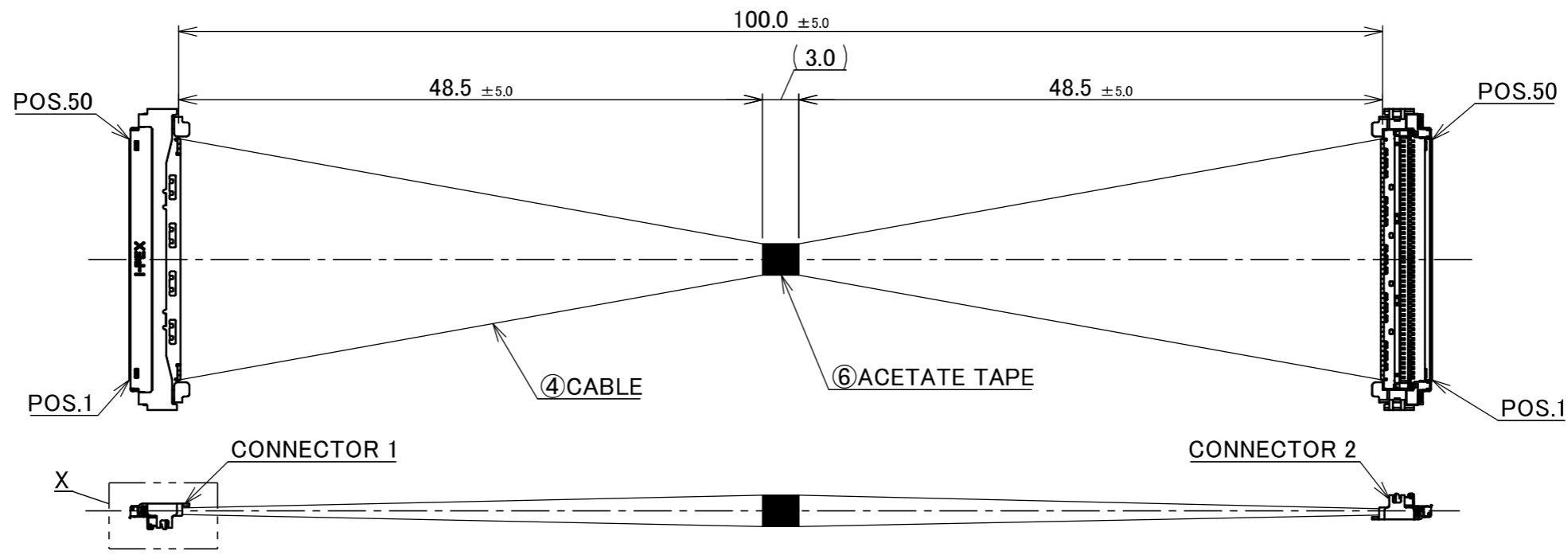


PART No.
83040-100B-01-D



NOTE.
1. TO HANDLE THIS CONNECTOR YOU MUST READ AND FOLLOW THE INSTRUCTION MANUAL BELOW. I-PEX INSTRUCTION MANUAL No.HIM-18033.
2. ELECTRIC CHARACTERISTICS
WITHSTAND VOLTAGE : AC 250V LEAKAGE CURRENT 2.0mA MAX.
INSULATION RESISTANCE : 50MΩ MIN. DC 100V
3. THE OPERATING TEMPERATURE OF THE HARNESS : 80°C MAX.
4. RATING VOLTAGE : 30V

PIN ASSIGNMENT		
CONNNECTOR 1	CABLE	CONNNECTOR 2
50	MICRO-COAXIAL CABLE AWG#40 50 OHM, BLUE	50
49	MICRO-COAXIAL CABLE AWG#40 50 OHM, BLUE	49
.	MICRO-COAXIAL CABLE AWG#40 50 OHM, BLUE	.
2	MICRO-COAXIAL CABLE AWG#40 50 OHM, BLUE	2
1	MICRO-COAXIAL CABLE AWG#40 50 OHM, BLUE	1

NO.	DESCRIPTION	PARTS NO.	QTY	REMARKS
6	ACETATE TAPE	-	1	BLACK
5	BONDING	-	-	UV GLUE
4	CABLE	-	50	MICRO-COAXIAL CABLE AWG#40 50 OHM, BLUE
3	LOCK COVER	3493-0501	2	CONNNECTOR 1&2
2	SHELL-A	3488-0501	2	CABLIN [®] -UM PLUG P/N : 20877-050T-01 CONNNECTOR TO BE MATED : 20879-050E-01
1	HOUSING ASSEMBLY	20878-050T-01	2	

REVISION RECORD					GENERAL TOLERANCE.		PROJECTION		SERIES No.		CUSTOMER COPY			
0	ZM00925	K.Fu	2026/06/01	-	ANGLE	±2°	6 OVER 30 MAX.	±0.3	IH-200016	CABLIN [®] -UM 50P HARNESS	SCALE	I-PEX		
REV.	ECN	BY	DATE	APP.	6 MAX.	±0.2	30 OVER 120 MAX.	±0.5			2:1			
					DWG.	K.Fukutomi		DATE	2026/06/01		UNIT	mm		
					CHK.	R.Takei				SIZE	A3			
					APP.	T.Masunaga		DWG. No.		83040		SHEET	1/1	REV.

Confidential C

I-PEX Inc.

QKE-DFE06-02 REV.12