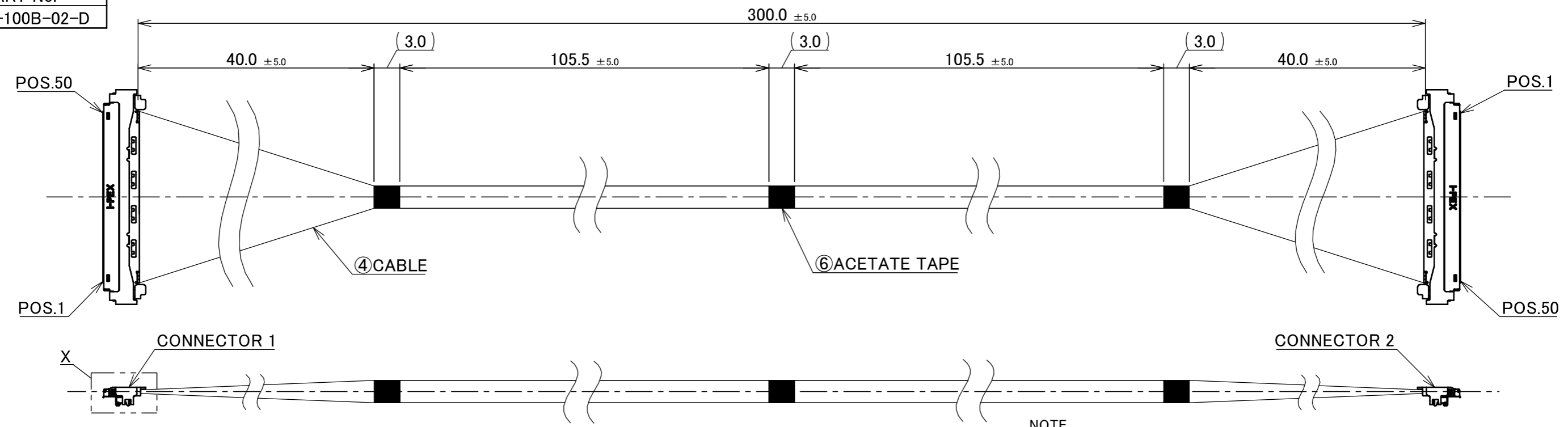


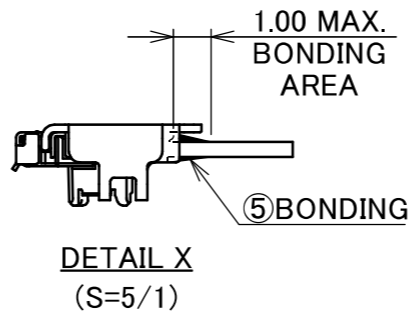
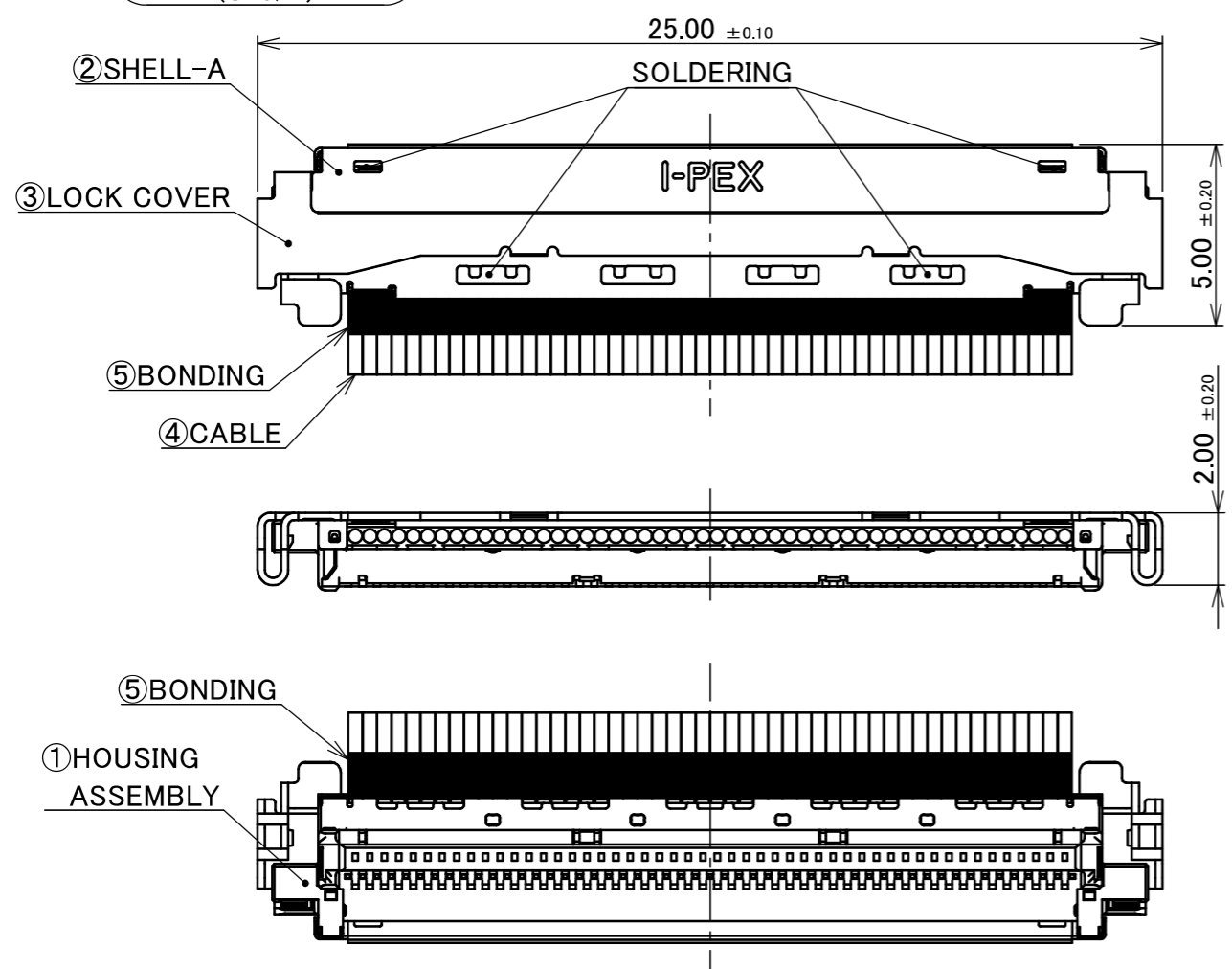
PART No.  
82900-100B-02-D



NOTE.

- TO HANDLE THIS CONNECTOR YOU MUST READ AND FOLLOW THE INSTRUCTION MANUAL BELOW. I-PEX INSTRUCTION MANUAL No.HIM-18033.
- ELECTRIC CHARACTERISTICS  
WITHSTANDVOLTAGE : AC 250V LEAKAGE CURRENT 2.0mA MAX.  
INSULATION RESISTANCE : 50MΩ MIN. DC 100V
- THE OPERATING TEMPERATURE OF THE HARNESS : 80°C MAX.
- RATING VOLTAGE : 30V

CONNECTOR 1&2  
(S=5/1)



PIN ASSIGNMENT		
CONNECTOR 1	CABLE	CONNECTOR 2
50	MICRO-COAXIAL CABLE AWG#40 50 OHM, BLUE	1
49	MICRO-COAXIAL CABLE AWG#40 50 OHM, BLUE	2
.	MICRO-COAXIAL CABLE AWG#40 50 OHM, BLUE	.
2	MICRO-COAXIAL CABLE AWG#40 50 OHM, BLUE	49
1	MICRO-COAXIAL CABLE AWG#40 50 OHM, BLUE	50

6	ACETATE TAPE	-	3	BLACK
5	BONDING	-	-	UV GLUE
4	CABLE	-	50	MICRO-COAXIAL CABLE AWG#40 50 OHM, BLUE
3	LOCK COVER	3493-0501	2	CONNECTOR 1&2
2	SHELL-A	3488-0501	2	CABLIN <sup>®</sup> -UM PLUG P/N : 20877-050T-01 CONNECTOR TO BE MATED : 20879-050E-01
1	HOUSING ASSEMBLY	20878-050T-01	2	
NO.	DESCRIPTION	PARTS NO.	QTY	REMARKS
				ANGLE ±2° 6 OVER 30 MAX. ±0.3 6 MAX. ±0.2 30 OVER 120 MAX. ±0.5
				PROJECTION SERIES No. IH-200016 TITLE CABLIN <sup>®</sup> -UM 50P HARNESS SCALE 2:1 UNIT mm I-PEX
0	ZM00780	K.B	2026/04/14	CHK. R.Takei
REV.	ECN	BY	DATE	APP. T.Masunaga
REVISION RECORD				DWG. No. 82900
				SIZE A3 SHEET 1/1 REV. 0

Confidential C

I-PEX Inc.

QKE-DFE06-02 REV.12