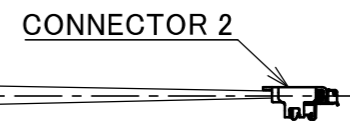
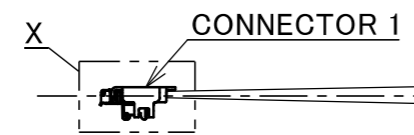
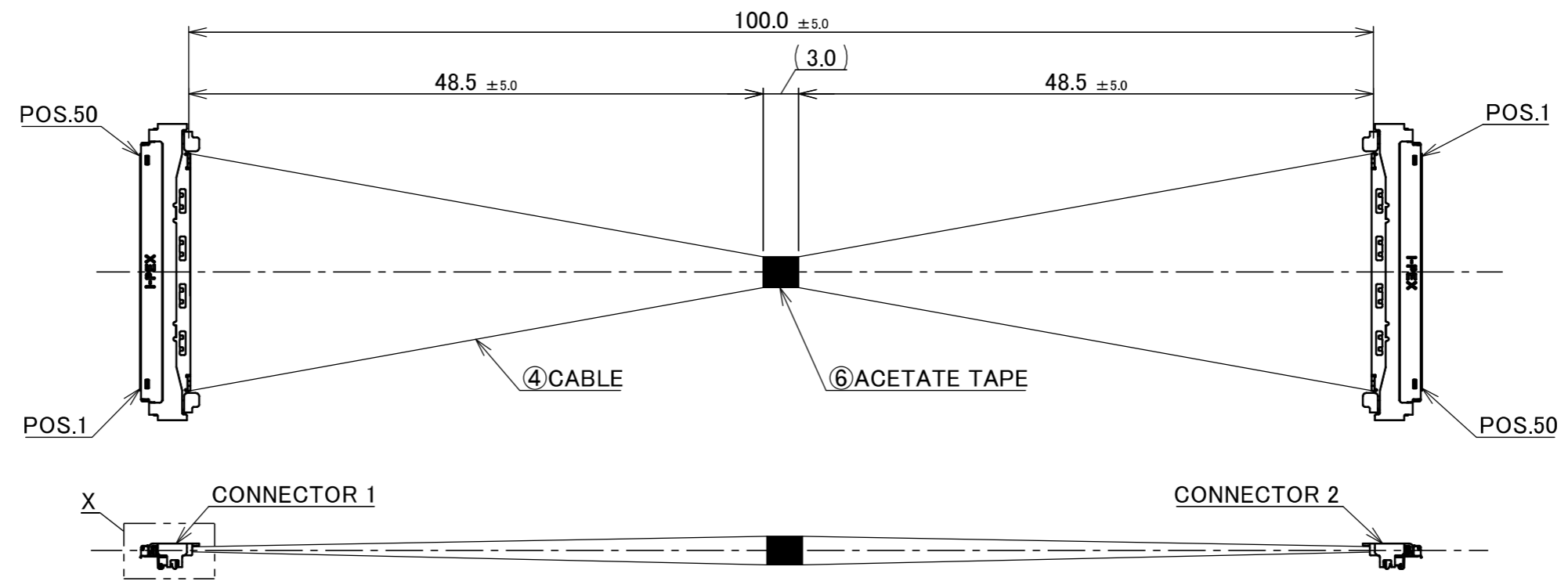
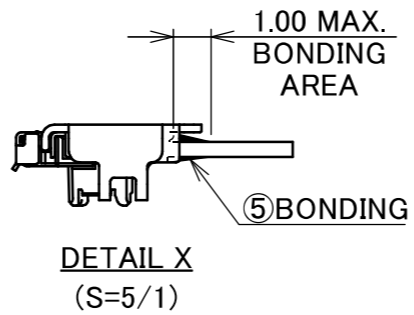
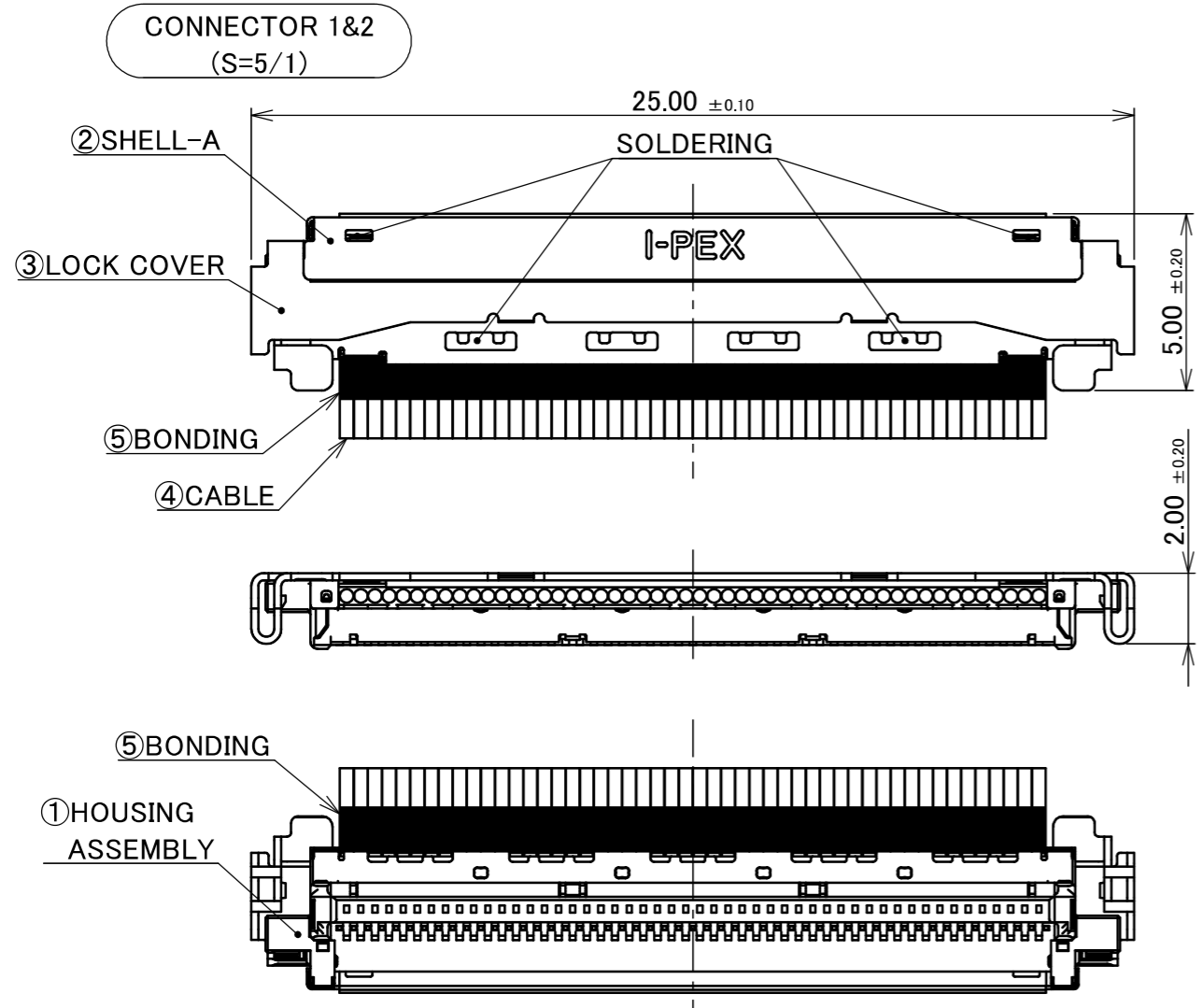


PART No.
82899-100B-02-D



NOTE.
 1. TO HANDLE THIS CONNECTOR YOU MUST READ AND FOLLOW THE INSTRUCTION MANUAL BELOW. I-PEX INSTRUCTION MANUAL No.HIM-18033.
 2. ELECTRIC CHARACTERISTICS
 WITHSTAND VOLTAGE : AC 250V LEAKAGE CURRENT 2.0mA MAX.
 INSULATION RESISTANCE : 50MΩ MIN. DC 100V
 3. THE OPERATING TEMPERATURE OF THE HARNESS : 80°C MAX.
 4. RATING VOLTAGE : 30V



PIN ASSIGNMENT		
CONNECTOR 1	CABLE	CONNECTOR 2
50	MICRO-COAXIAL CABLE AWG#40 50 OHM, BLUE	1
49	MICRO-COAXIAL CABLE AWG#40 50 OHM, BLUE	2
.	MICRO-COAXIAL CABLE AWG#40 50 OHM, BLUE	.
2	MICRO-COAXIAL CABLE AWG#40 50 OHM, BLUE	49
1	MICRO-COAXIAL CABLE AWG#40 50 OHM, BLUE	50

NO.	DESCRIPTION	PARTS NO.	QTY	REMARKS																																								
6	ACETATE TAPE	-	1	BLACK																																								
5	BONDING	-	-	UV GLUE																																								
4	CABLE	-	50	MICRO-COAXIAL CABLE AWG#40 50 OHM, BLUE																																								
3	LOCK COVER	3493-0501	2	CONNECTOR 1&2																																								
2	SHELL-A	3488-0501	2	CABLIN [®] -UM PLUG P/N : 20877-050T-01 CONNECTOR TO BE MATED : 20879-050E-01																																								
1	HOUSING ASSEMBLY	20878-050T-01	2																																									
<table border="1"> <tr> <td>ANGLE</td> <td>±2°</td> <td>6 OVER 30 MAX.</td> <td>±0.3</td> <td rowspan="2">PROJECTION </td> <td rowspan="2">SERIES No. IH-200016</td> <td rowspan="2">CUSTOMER COPY</td> </tr> <tr> <td></td> <td>6 MAX.</td> <td>±0.2</td> <td>30 OVER 120 MAX.</td> <td>±0.5</td> </tr> <tr> <td colspan="5">GENERAL TOLERANCE.</td> <td rowspan="3">TITLE CABLIN[®]-UM 50P HARNESS</td> <td rowspan="3">SCALE 2:1</td> </tr> <tr> <td>DWG.</td> <td colspan="2">K.Baba</td> <td>DATE</td> <td>2026/04/14</td> <td rowspan="2">UNIT mm</td> </tr> <tr> <td>CHK.</td> <td colspan="2">R.Takei</td> <td colspan="2"></td> </tr> <tr> <td>REV.</td> <td>ECN</td> <td>BY</td> <td>DATE</td> <td>APP.</td> <td>DWG. No.</td> <td>82899</td> <td>SIZE A3</td> <td>SHEET 1/1</td> <td>REV. 0</td> </tr> </table>					ANGLE	±2°	6 OVER 30 MAX.	±0.3	PROJECTION 	SERIES No. IH-200016	CUSTOMER COPY		6 MAX.	±0.2	30 OVER 120 MAX.	±0.5	GENERAL TOLERANCE.					TITLE CABLIN [®] -UM 50P HARNESS	SCALE 2:1	DWG.	K.Baba		DATE	2026/04/14	UNIT mm	CHK.	R.Takei				REV.	ECN	BY	DATE	APP.	DWG. No.	82899	SIZE A3	SHEET 1/1	REV. 0
ANGLE	±2°	6 OVER 30 MAX.	±0.3	PROJECTION 	SERIES No. IH-200016	CUSTOMER COPY																																						
	6 MAX.	±0.2	30 OVER 120 MAX.				±0.5																																					
GENERAL TOLERANCE.					TITLE CABLIN [®] -UM 50P HARNESS	SCALE 2:1																																						
DWG.	K.Baba		DATE	2026/04/14			UNIT mm																																					
CHK.	R.Takei																																											
REV.	ECN	BY	DATE	APP.	DWG. No.	82899	SIZE A3	SHEET 1/1	REV. 0																																			
REVISION RECORD					T.Masunaga																																							

Confidential C

I-PEX Inc.

QKE-DFE06-02 REV.12