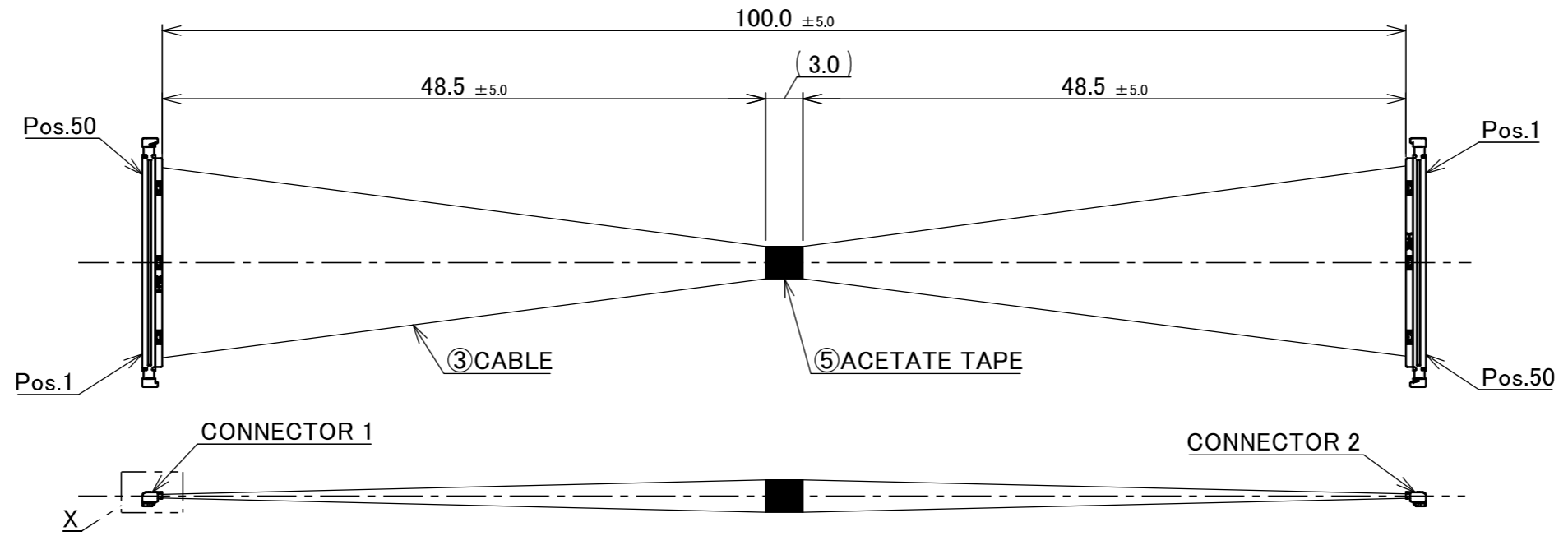
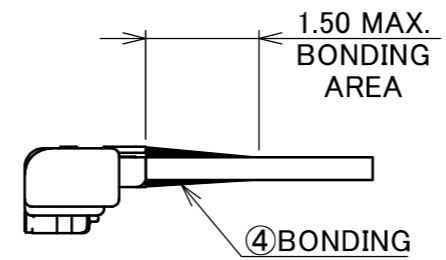


PART No.
82970-100B-02-D



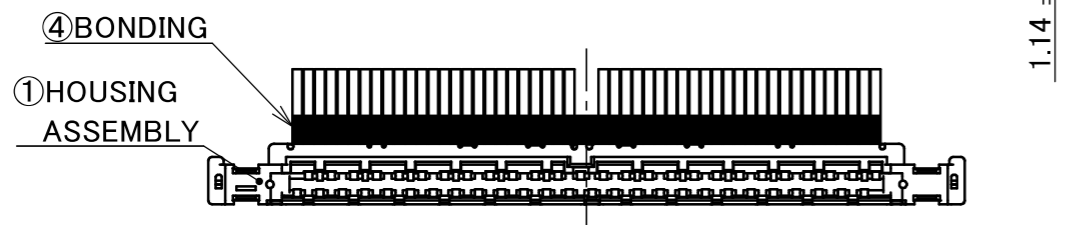
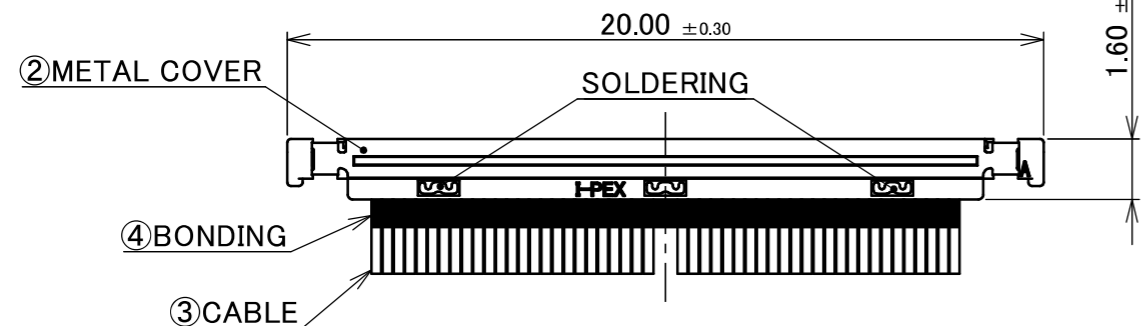
PIN ASSIGNMENT		
CONNECTOR 1	CABLE	CONNECTOR 2
50	MICRO-COAXIAL CABLE AWG#44 50 OHM, BLUE	1
⋮	MICRO-COAXIAL CABLE AWG#44 50 OHM, BLUE	⋮
1	MICRO-COAXIAL CABLE AWG#44 50 OHM, BLUE	50

NOTE.
 1. TO HANDLE THIS CONNECTOR YOU MUST READ AND FOLLOW THE INSTRUCTION MANUAL BELOW. I-PEX INSTRUCTION MANUAL No.HIM-09006.
 2. ELECTRIC CHARACTERISTICS
 WITHSTAND VOLTAGE : AC 100V LEAKAGE CURRENT 2.0mA MAX.
 INSULATION RESISTANCE : 50MΩ MIN. DC 100V
 3. THE OPERATING TEMPERATURE OF THE HARNESS : 80°C MAX.
 4. RATING VOLTAGE : 30V



DETAIL X
(S=10/1)

CONNECTOR 1&2
(S=5/1)



5	ACETATE TAPE	-	1	BLACK
4	BONDING	-	-	UV GLUE
3	CABLE	-	50	MICRO-COAXIAL CABLE AWG #44, 50 OHM, BLUE
2	METAL COVER	2679-050-10	2	CONNECTOR 1&2 CABLIN [®] -UA II PLUG P/N : 20496-050-40 CONNECTOR TO BE MATED : 20498-050E-41
1	HOUSING ASSEMBLY	20497-050T-30	2	

NO.	DESCRIPTION	PARTS NO.	QTY	REMARKS
				ANGLE ±2° 6 OVER 30 MAX. ±0.3 6 MAX. ±0.2 30 OVER 120 MAX. ±0.5
				PROJECTION SERIES No. IH-200016 TITLE CABLIN [®] -UA II 50P HARNESS SCALE 2:1 UNIT mm SHEET 1/1 REV. 0
				GENERAL TOLERANCE. DWG. K.Fukutomi DATE 2026/05/26 CHK. R.Takei APP. T.Masunaga
0	ZM00901	K.Fu	2026/05/26	-
REV.	ECN	BY	DATE	APP.
REVISION RECORD				DWG. No. 82970

Confidential C

I-PEX Inc.

QKE-DFE06-02 REV.12