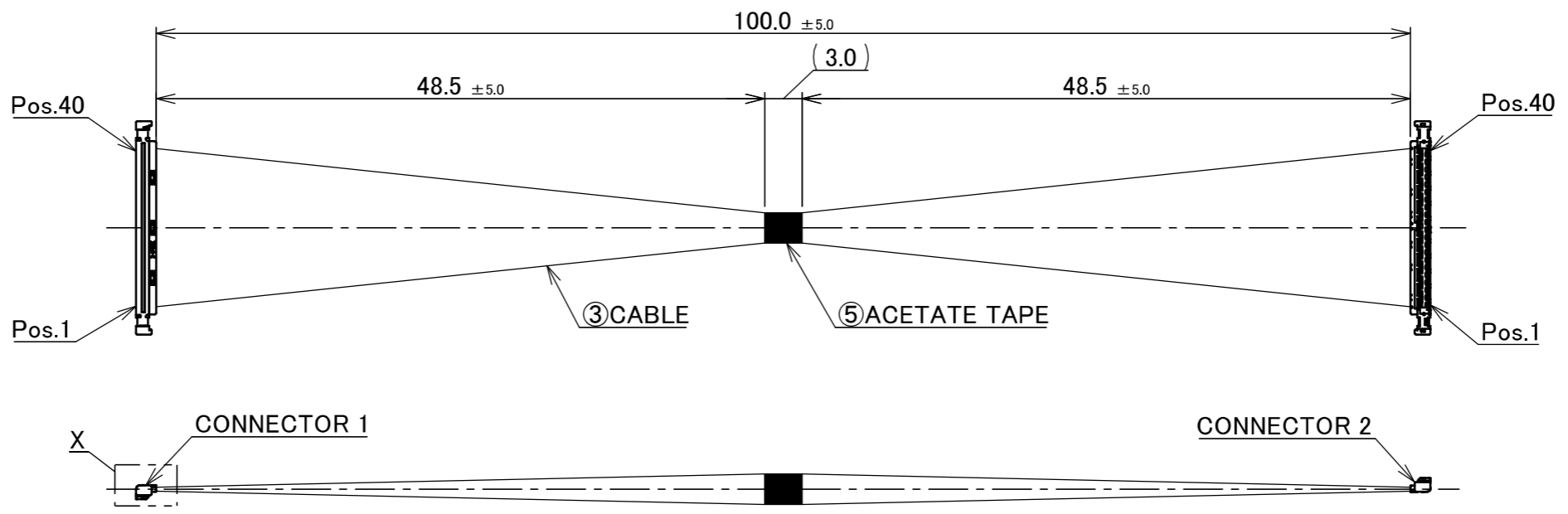
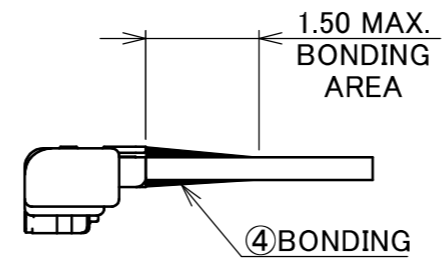


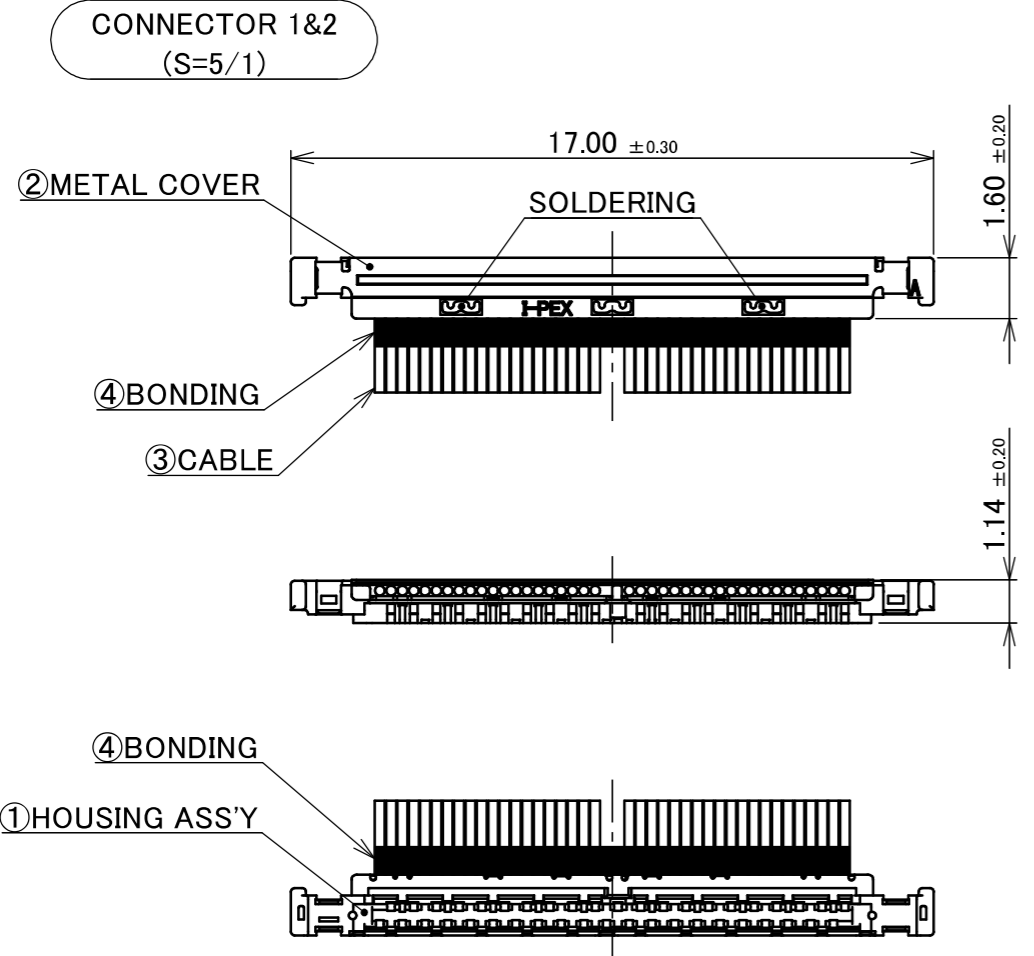
PART No.
83037-100B-01-D



- NOTE.
- TO HANDLE THIS CONNECTOR YOU MUST READ AND FOLLOW THE INSTRUCTION MANUAL BELOW.
I-PEX INSTRUCTION MANUAL No.HIM-09006.
 - ELECTRIC CHARACTERISTICS
WITHSTANDVOLTAGE : AC 100V LEAKAGE CURRENT 2.0mA MAX.
INSULATION RESISTANCE : 50MΩ MIN. DC 100V
 - THE OPERATING TEMPERATURE OF THE HARNESS : 80°C MAX.



PIN ASSIGNMENT		
CONNECTOR 1	CABLE	CONNECTOR 2
40	MICRO-COAXIAL CABLE AWG#44 50 OHM, BLUE	40
39	MICRO-COAXIAL CABLE AWG#44 50 OHM, BLUE	39
.	MICRO-COAXIAL CABLE AWG#44 50 OHM, BLUE	.
2	MICRO-COAXIAL CABLE AWG#44 50 OHM, BLUE	2
1	MICRO-COAXIAL CABLE AWG#44 50 OHM, BLUE	1



NO.	DESCRIPTION	PARTS NO.	QTY	REMARKS
5	ACETATE TAPE	-	1	BLACK
4	BONDING	-	-	UV GLUE
3	CABLE	-	40	MICRO-COAXIAL CABLE AWG #44, 50 OHM, BLUE
2	METAL COVER	2679-040-10	2	CONNECTOR 1&2 CABLIN [®] -UA II PLUG P/N : 20496-040-40 CONNECTOR TO BE MATED : 20498-040E-41
1	HOUSING ASS'Y	20497-040T-30	2	

REVISION RECORD					GENERAL TOLERANCE.			PROJECTION		SERIES No.		CUSTOMER COPY			
0	ZM00922	K.Fu	2026/06/01	-	ANGLE	±2°	6 OVER 30 MAX.	±0.3		IH-200016	SCALE	2:1	UNIT	I-PEX	
REV.	ECN	BY	DATE	APP.	6 MAX.	±0.2	30 OVER 120 MAX.	±0.5							TITLE
					DWG.	K.Fukutomi		DATE	2026/06/01		CABLIN [®] -UA II		40P HARNESS		
					CHK.	R.Takei				DWG. No.		83037		SIZE SHEET REV.	
					APP.	T.Masunaga				A3		1/1		0	

Confidential C

I-PEX Inc.

QKE-DFE06-02 REV.12