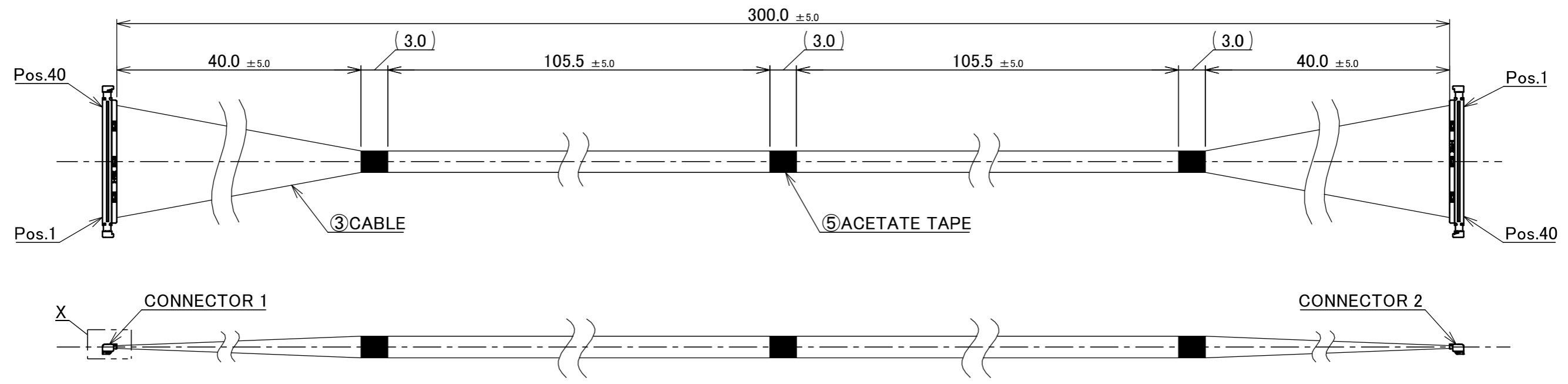
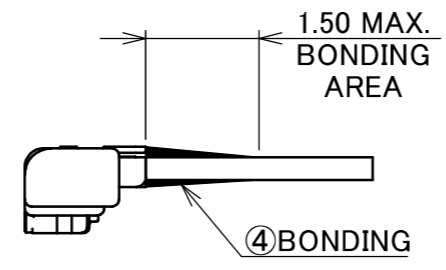


PART No.
82898-100B-02-D



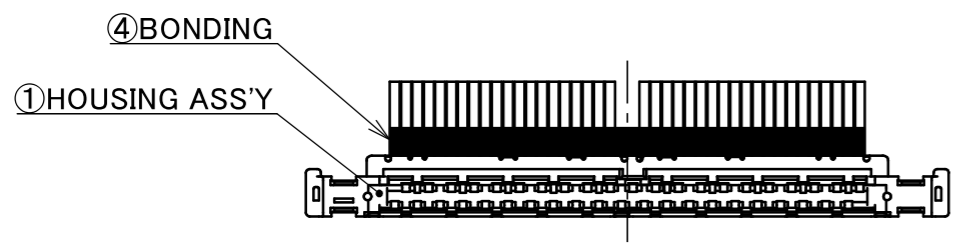
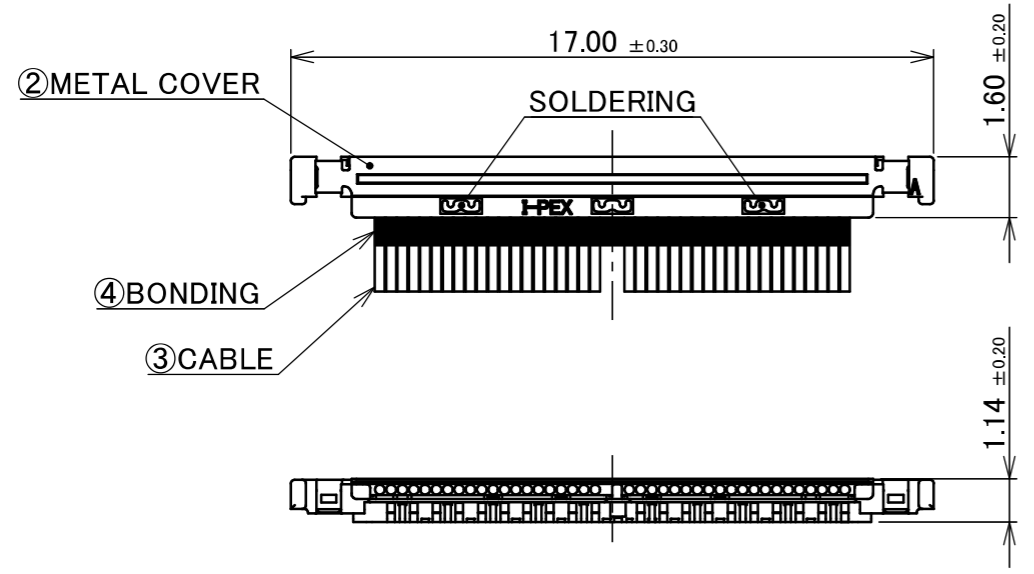
NOTE.
 1. TO HANDLE THIS CONNECTOR YOU MUST READ AND FOLLOW THE INSTRUCTION MANUAL BELOW. I-PEX INSTRUCTION MANUAL No.HIM-09006.
 2. ELECTRIC CHARACTERISTICS
 WITHSTANDVOLTAGE : AC 100V LEAKAGE CURRENT 2.0mA MAX.
 INSULATION RESISTANCE : 50MΩ MIN. DC 100V
 3. THE OPERATING TEMPERATURE OF THE HARNESS : 80°C MAX.



DETAIL X
(S=10/1)

PIN ASSIGNMENT		
CONNECTOR 1	CABLE	CONNECTOR 2
40	MICRO-COAXIAL CABLE AWG#44 50 OHM, BLUE	1
39	MICRO-COAXIAL CABLE AWG#44 50 OHM, BLUE	2
.	MICRO-COAXIAL CABLE AWG#44 50 OHM, BLUE	.
.	MICRO-COAXIAL CABLE AWG#44 50 OHM, BLUE	.
.	MICRO-COAXIAL CABLE AWG#44 50 OHM, BLUE	.
2	MICRO-COAXIAL CABLE AWG#44 50 OHM, BLUE	39
1	MICRO-COAXIAL CABLE AWG#44 50 OHM, BLUE	40

CONNECTOR 1&2
(S=5/1)



NO.	DESCRIPTION	PARTS NO.	QTY	REMARKS
5	ACETATE TAPE	-	3	BLACK
4	BONDING	-	-	UV GLUE
3	CABLE	-	40	MICRO-COAXIAL CABLE AWG #44, 50 OHM, BLUE
2	METAL COVER	2679-040-10	2	CONNECTOR 1&2 CABLIN [®] -UA II PLUG P/N : 20496-040-40 CONNECTOR TO BE MATED : 20498-040E-41
1	HOUSING ASS'Y	20497-040T-30	2	

REVISION RECORD					GENERAL TOLERANCE.			PROJECTION		SERIES No.		CUSTOMER COPY				
REV.	ECN	BY	DATE	APP.	ANGLE	±2°	6 OVER 30 MAX.	±0.3		IH-200016	SCALE	2:1	UNIT			
0	ZM00769	Y.M	2026/04/10	-	6 MAX.	±0.2	30 OVER 120 MAX.	±0.5						CABLIN [®] -UA II 40P HARNESS	mm	I-PEX
					DWG.	Y.Miyazaki		DATE	2026/04/10		SIZE	A3	SHEET			
					CHK.	R.Takei			DWG. No.		82898					
					APP.	T.Masunaga										