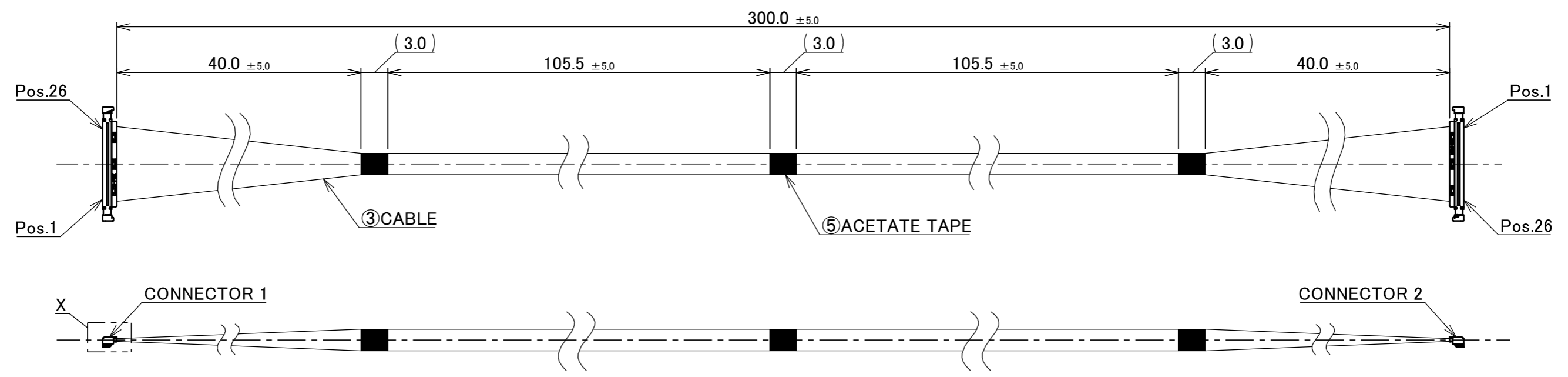
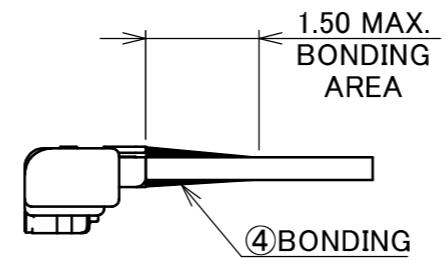
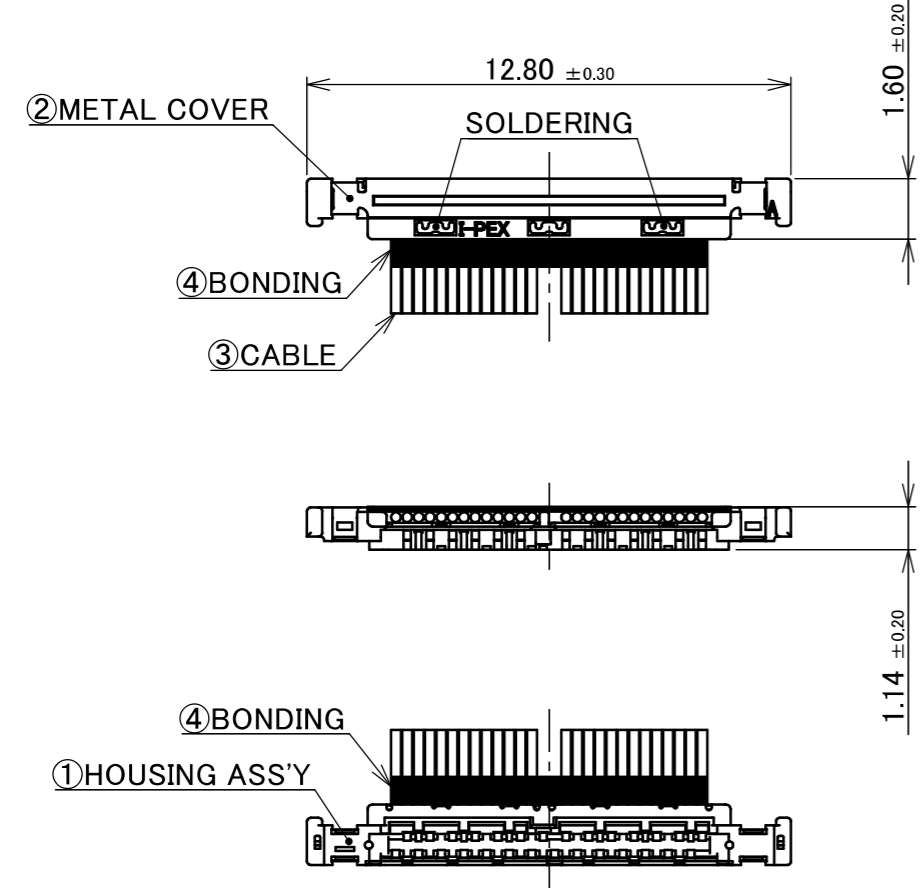


PART No.
82894-100B-02-D



NOTE.
 1. TO HANDLE THIS CONNECTOR
 YOU MUST READ AND FOLLOW THE INSTRUCTION MANUAL BELOW.
 I-PEX INSTRUCTION MANUAL No. IH-09006.
 2. ELECTRIC CHARACTERISTICS
 WITHSTANDVOLTAGE : AC 100V LEAKAGE CURRENT 2.0mA MAX.
 INSULATION RESISTANCE : 50MΩ MIN. DC 100V
 3. THE OPERATING TEMPERATURE OF THE HARNESS : 80°C MAX.

CONNECTOR 1&2
(S=5/1)



PIN ASSIGNMENT		
CONNECTOR 1	CABLE	CONNECTOR 2
26	MICRO-COAXIAL CABLE AWG#44 50 OHM, BLUE	1
25	MICRO-COAXIAL CABLE AWG#44 50 OHM, BLUE	2
.	MICRO-COAXIAL CABLE AWG#44 50 OHM, BLUE	.
.	MICRO-COAXIAL CABLE AWG#44 50 OHM, BLUE	.
.	MICRO-COAXIAL CABLE AWG#44 50 OHM, BLUE	.
2	MICRO-COAXIAL CABLE AWG#44 50 OHM, BLUE	25
1	MICRO-COAXIAL CABLE AWG#44 50 OHM, BLUE	26

5	ACETATE TAPE	-	3	BLACK
4	BONDING	-	-	UV GLUE
3	CABLE	-	26	MICRO-COAXIAL CABLE AWG #44, 50 OHM, BLUE
2	METAL COVER	2679-026-10	2	CONNECTOR 1&2
1	HOUSING ASS'Y	20497-026T-30	2	CABLIN [®] -UA II PLUG P/N : 20496-026-40 CONNECTOR TO BE MATED : 20498-026E-41
NO.	DESCRIPTION	PARTS NO.	QTY	REMARKS

REVISION RECORD					ANGLE $\pm 2^\circ$ 6 OVER 30 MAX. ± 0.3 6 MAX. ± 0.2 30 OVER 120 MAX. ± 0.5	PROJECTION 	SERIES No. IH-200016	CUSTOMER COPY	
0 ZM00769 Y.M 2026/04/10 -					GENERAL TOLERANCE.		TITLE CABLIN [®] -UA II 26P HARNESS	SCALE 2:1	
REV.	ECN	BY	DATE	APP.	DWG. Y.Miyazaki	DATE 2026/04/10		UNIT mm	
					CHK. R.Takei	DWG. No. 82894	SIZE A3	SHEET 1/1	

Confidential C

I-PEX Inc.

QKE-DFE06-02 REV.12