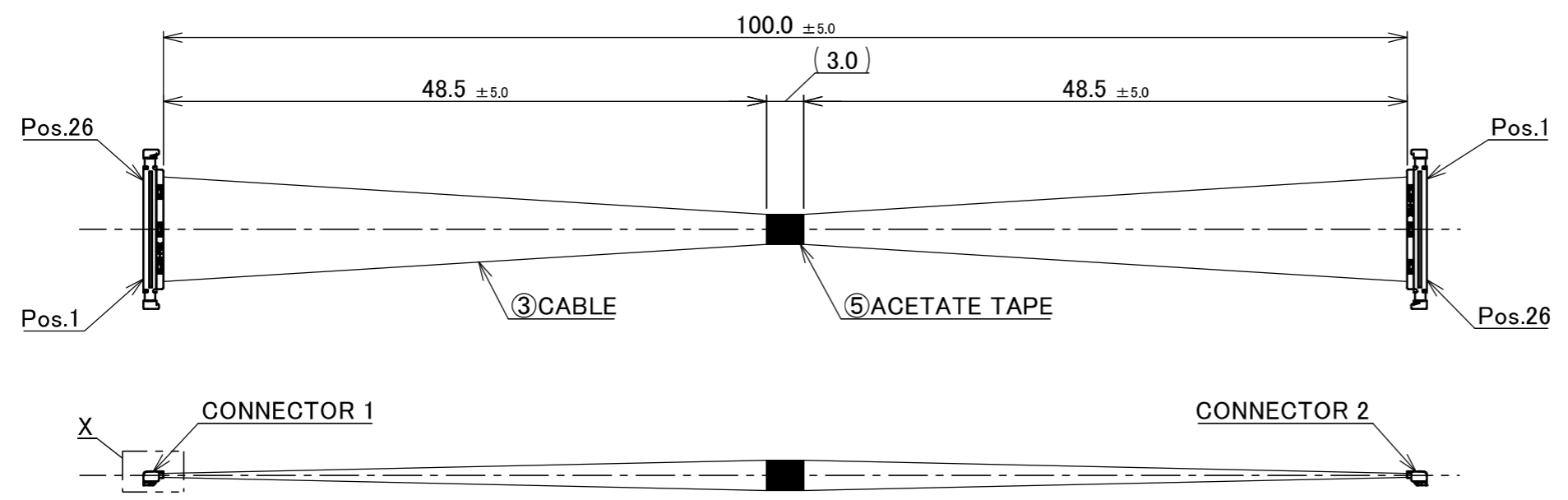
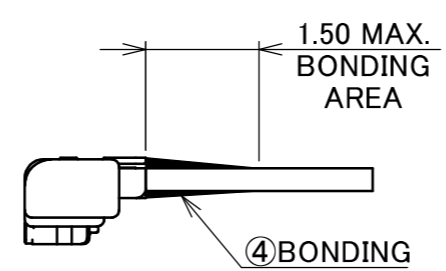
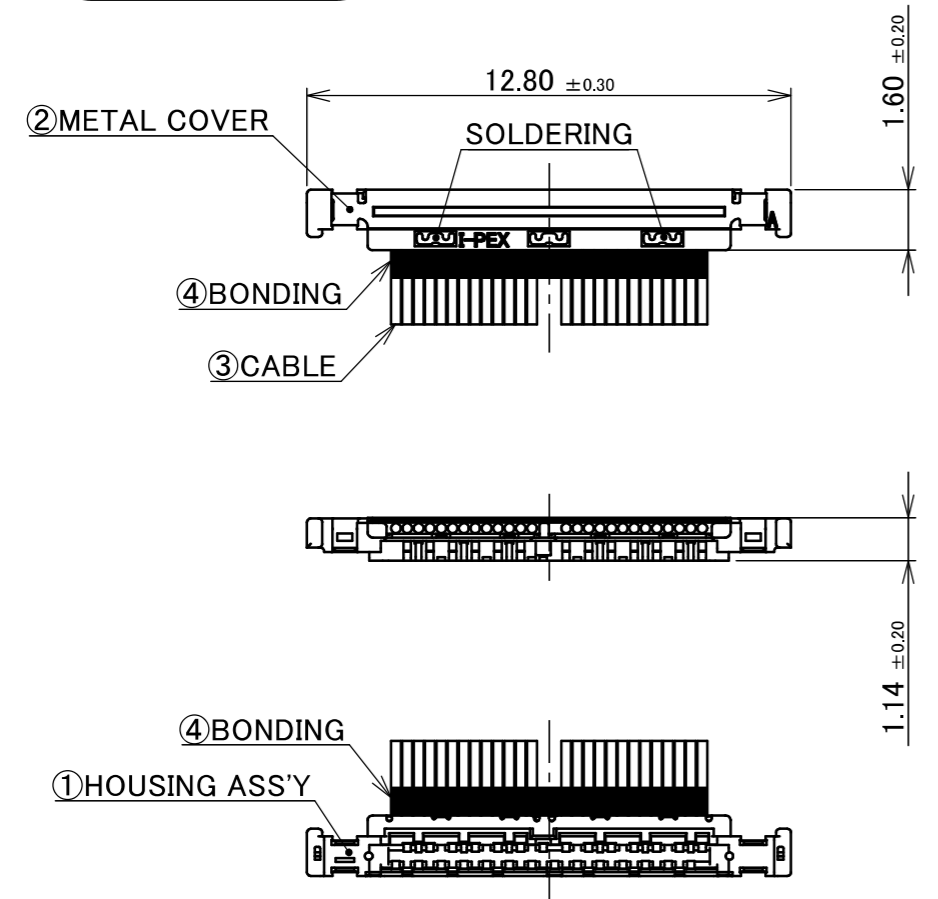


PART No.
82893-100B-02-D



CONNECTOR 1&2
(S=5/1)



NOTE.
1. TO HANDLE THIS CONNECTOR YOU MUST READ AND FOLLOW THE INSTRUCTION MANUAL BELOW. I-PEX INSTRUCTION MANUAL No. IH-09006.
2. ELECTRIC CHARACTERISTICS
WITHSTANDVOLTAGE : AC 100V LEAKAGE CURRENT 2.0mA MAX.
INSULATION RESISTANCE : 50MΩ MIN. DC 100V
3. THE OPERATING TEMPERATURE OF THE HARNESS : 80°C MAX.

PIN ASSIGNMENT		
CONNECTOR 1	CABLE	CONNECTOR 2
26	MICRO-COAXIAL CABLE AWG#44 50 OHM, BLUE	1
25	MICRO-COAXIAL CABLE AWG#44 50 OHM, BLUE	2
.	MICRO-COAXIAL CABLE AWG#44 50 OHM, BLUE	.
.	MICRO-COAXIAL CABLE AWG#44 50 OHM, BLUE	.
.	MICRO-COAXIAL CABLE AWG#44 50 OHM, BLUE	.
2	MICRO-COAXIAL CABLE AWG#44 50 OHM, BLUE	25
1	MICRO-COAXIAL CABLE AWG#44 50 OHM, BLUE	26

5	ACETATE TAPE	-	1	BLACK
4	BONDING	-	-	UV GLUE
3	CABLE	-	26	MICRO-COAXIAL CABLE AWG #44, 50 OHM, BLUE
2	METAL COVER	2679-026-10	2	CONNECTOR 1&2
1	HOUSING ASS'Y	20497-026T-30	2	CABLIN [®] -UA II PLUG P/N : 20496-026-40 CONNECTOR TO BE MATED : 20498-026E-41
NO.	DESCRIPTION	PARTS NO.	QTY	REMARKS

<table border="0"> <tr> <td>ANGLE</td> <td>±2°</td> <td>6 OVER 30 MAX.</td> <td>±0.3</td> <td rowspan="2">PROJECTION</td> <td rowspan="2">SERIES No. IH-200016</td> <td rowspan="2">CUSTOMER COPY</td> </tr> <tr> <td></td> <td>6 MAX.</td> <td>±0.2</td> <td>30 OVER 120 MAX.</td> <td>±0.5</td> </tr> </table>					ANGLE	±2°	6 OVER 30 MAX.	±0.3	PROJECTION	SERIES No. IH-200016	CUSTOMER COPY		6 MAX.	±0.2	30 OVER 120 MAX.	±0.5	<table border="0"> <tr> <td colspan="2">GENERAL TOLERANCE.</td> <td rowspan="2">TITLE CABLIN[®]-UA II 26P HARNESS</td> <td rowspan="2">SCALE 2:1</td> </tr> <tr> <td>DWG.</td> <td>DATE</td> <td rowspan="2">UNIT mm</td> </tr> <tr> <td>Y.Miyazaki</td> <td>2026/04/10</td> <td rowspan="2">DWG. No. 82893</td> <td rowspan="2">SHEET 1/1</td> </tr> <tr> <td>CHK. R.Takei</td> <td></td> <td rowspan="2">REV. 0</td> </tr> <tr> <td>REV.</td> <td>ECN</td> <td>BY</td> <td>DATE</td> <td>APP.</td> <td>H.Ikari</td> <td></td> </tr> </table>		GENERAL TOLERANCE.		TITLE CABLIN [®] -UA II 26P HARNESS	SCALE 2:1	DWG.	DATE	UNIT mm	Y.Miyazaki	2026/04/10	DWG. No. 82893	SHEET 1/1	CHK. R.Takei		REV. 0	REV.	ECN	BY	DATE	APP.	H.Ikari	
ANGLE	±2°	6 OVER 30 MAX.	±0.3	PROJECTION	SERIES No. IH-200016	CUSTOMER COPY																																	
	6 MAX.	±0.2	30 OVER 120 MAX.				±0.5																																
GENERAL TOLERANCE.		TITLE CABLIN [®] -UA II 26P HARNESS	SCALE 2:1																																				
DWG.	DATE			UNIT mm																																			
Y.Miyazaki	2026/04/10	DWG. No. 82893	SHEET 1/1																																				
CHK. R.Takei				REV. 0																																			
REV.	ECN	BY	DATE		APP.	H.Ikari																																	

Confidential C

I-PEX Inc.

QKE-DFE06-02 REV.12