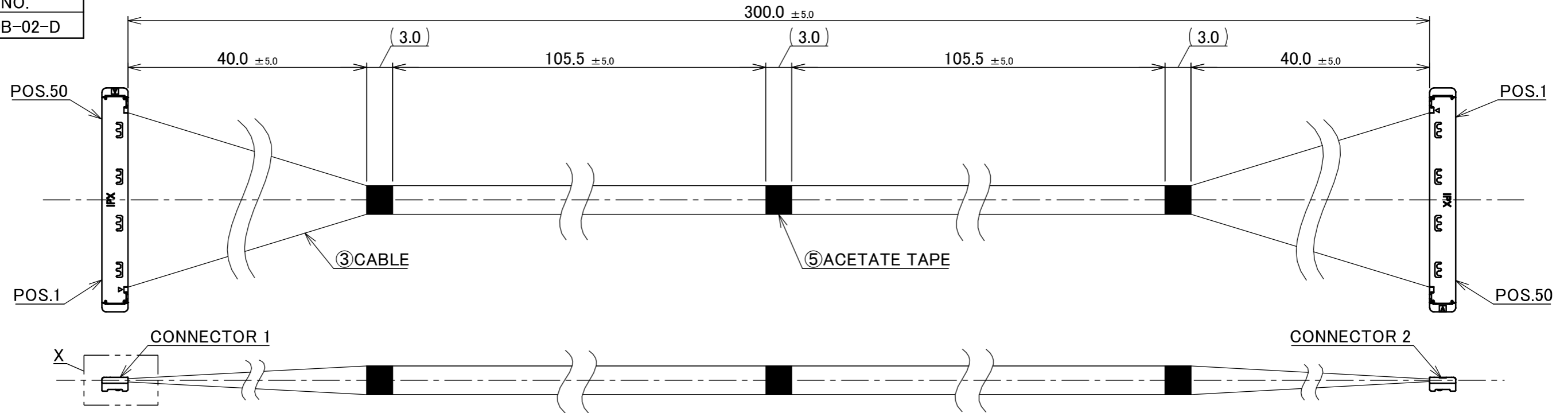
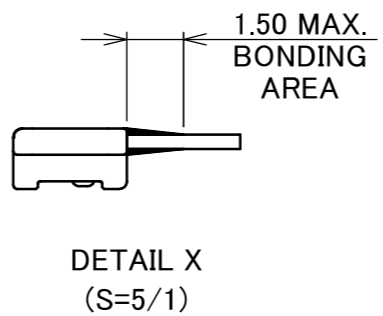
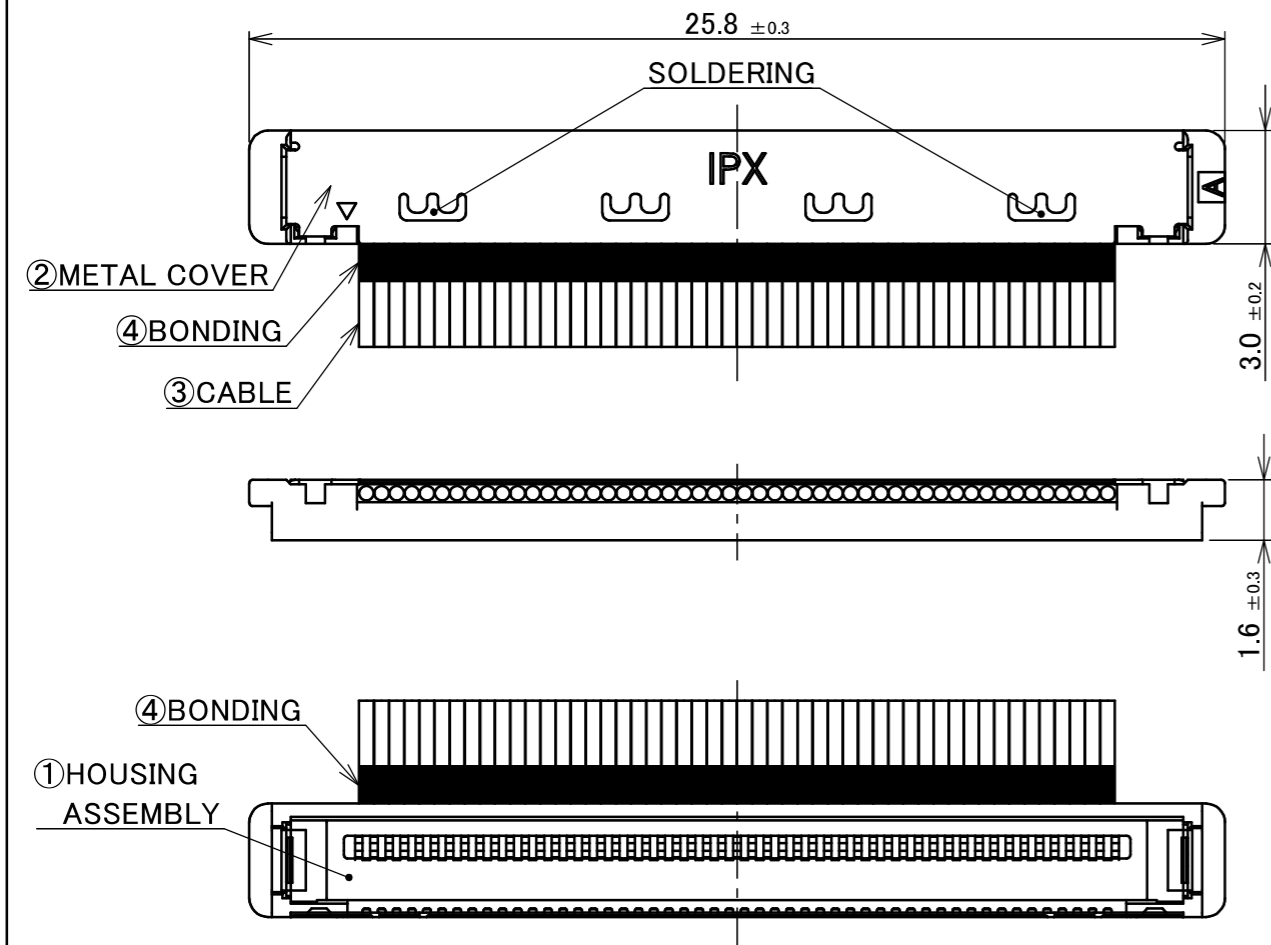


PART NO.  
82892-100B-02-D



PIN ASSIGNMENT		
CONNECTOR 1	CABLE	CONNECTOR 2
50	MICRO-COAXIAL CABLE AWG#40 50 OHM, BLUE	1
49	MICRO-COAXIAL CABLE AWG#40 50 OHM, BLUE	2
⋮	MICRO-COAXIAL CABLE AWG#40 50 OHM, BLUE	⋮
2	MICRO-COAXIAL CABLE AWG#40 50 OHM, BLUE	49
1	MICRO-COAXIAL CABLE AWG#40 50 OHM, BLUE	50

CONNECTOR 1&2  
(S=5/1)



NOTE.

- TO HANDLE THIS CONNECTOR YOU MUST READ AND FOLLOW THE INSTRUCTION MANUAL BELOW. I-PEX INSTRUCTION MANUAL No.HIM-04001.
- ELECTRIC CHARACTERISTICS  
WITHSTANDVOLTAGE : AC 250V LEAKAGE CURRENT 2.0mA MAX.  
INSULATION RESISTANCE : 50MΩ MIN. DC 100V
- THE OPERATING TEMPERATURE OF THE HARNESS : 80°C MAX.
- RATING VOLTAGE : 30V

5	ACETATE TAPE	-	3	BLACK
4	BONDING	-	-	UV GLUE
3	CABLE	-	50	MICRO-COAXIAL CABLE AWG #40, 50 OHM, BLUE
2	METAL COVER	2182-050-04	2	CONNECTOR 1&2 CABLIN <sup>®</sup> -SS PLUG P/N : 20380-R50T-16 CONNECTOR TO BE MATED : 20374-R50E-31
1	HOUSING ASSEMBLY	20373-R50T-06	2	
NO.	DESCRIPTION	PARTS NO.	QTY	REMARKS
			ANGLE ±2° 6 OVER 30 MAX. ±0.3 6 MAX. ±0.2 30 OVER 120 MAX. ±0.5	PROJECTION SERIES No. IH-200016 CUSTOMER COPY
			GENERAL TOLERANCE.	TITLE CABLIN <sup>®</sup> -SS 50P HARNESS SCALE 2:1 UNIT mm I-PEX
0	ZM00758	K.Fu	2026/04/08	CHK. R.Takei
REV.	ECN	BY	DATE	APP. T.Masunaga
REVISION RECORD				DWG. No. 82892 SIZE A3 SHEET 1/1 REV. 0