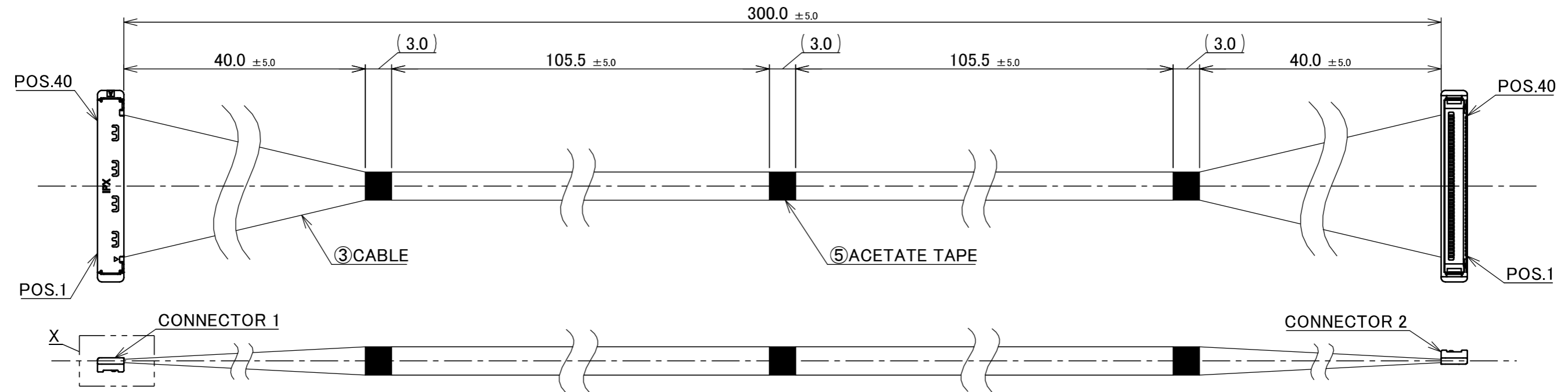


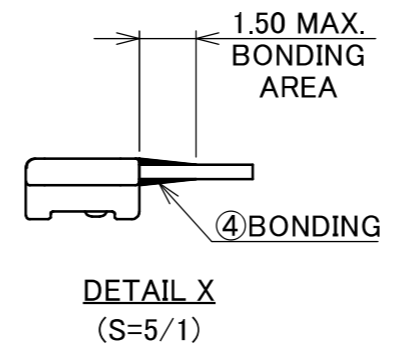
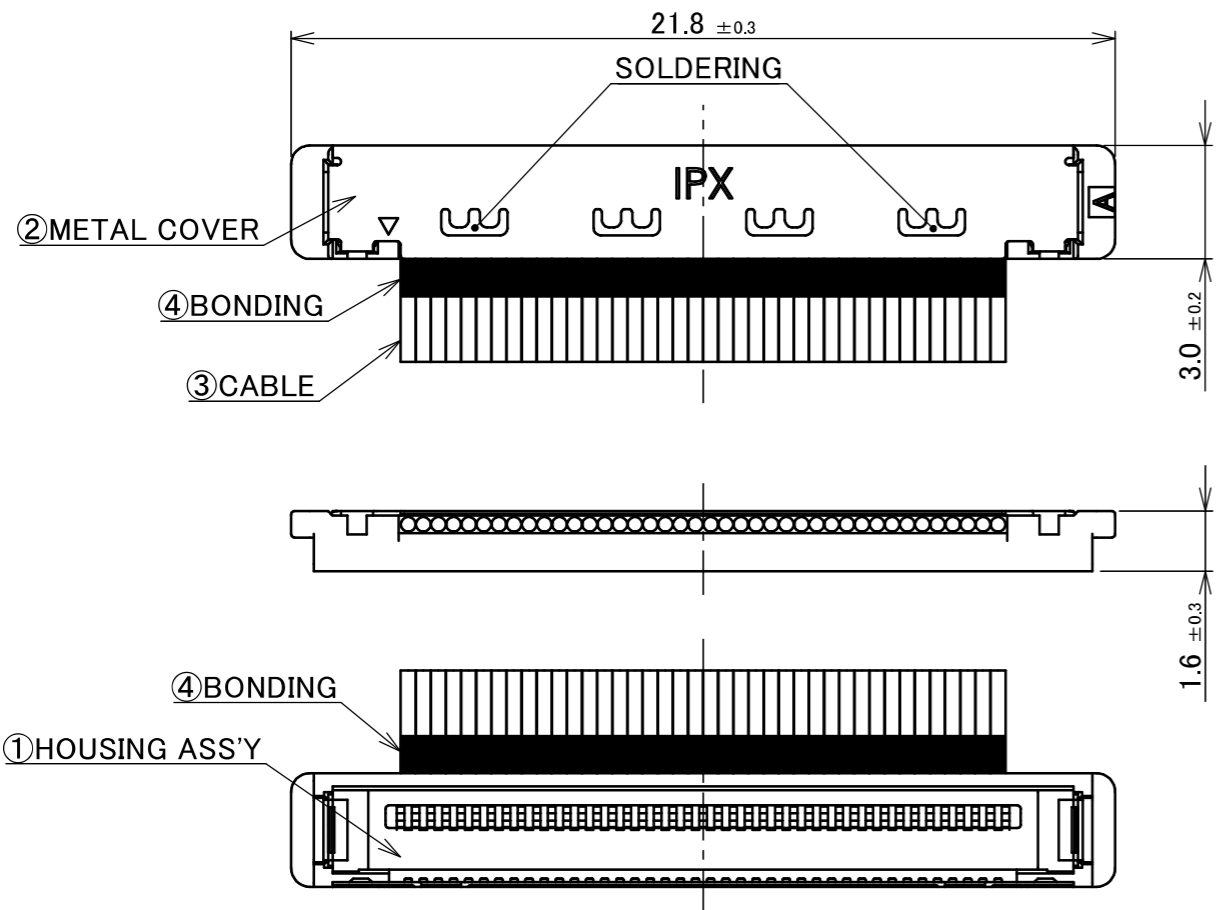
PART No.
83027-100B-01-D



NOTE.

- TO HANDLE THIS CONNECTOR YOU MUST READ AND FOLLOW THE INSTRUCTION MANUAL BELOW. I-PEX INSTRUCTION MANUAL No.HIM-04001.
- ELECTRIC CHARACTERISTICS
WITHSTANDVOLTAGE : AC 250V LEAKAGE CURRENT 2.0mA MAX.
INSULATION RESISTANCE : 50MΩ MIN. DC 100V
- THE OPERATING TEMPERATURE OF THE HARNESS : 80°C MAX.
- RATING VOLTAGE : 30V

CONNECTOR 1&2
(S=5/1)



PIN ASSIGNMENT		
CONNECTOR 1	CABLE	CONNECTOR 2
40	MICRO-COAXIAL CABLE AWG#40 50 OHM, BLUE	40
39	MICRO-COAXIAL CABLE AWG#40 50 OHM, BLUE	39
⋮	MICRO-COAXIAL CABLE AWG#40 50 OHM, BLUE	⋮
2	MICRO-COAXIAL CABLE AWG#40 50 OHM, BLUE	2
1	MICRO-COAXIAL CABLE AWG#40 50 OHM, BLUE	1

NO.	DESCRIPTION	PARTS NO.	QTY	REMARKS																																																																
5	ACETATE TAPE	-	3	BLACK																																																																
4	BONDING	-	-	UV GLUE																																																																
3	CABLE	-	40	MICRO-COAXIAL CABLE AWG #40, 50 OHM, BLUE																																																																
2	METAL COVER	2182-040-04	2	CONNECTOR 1&2 CABLINER [®] -SS PLUG P/N : 20380-R40T-16 CONNECTOR TO BE MATED : 20374-R40E-31																																																																
1	HOUSING ASS'Y	20373-R40T-06	2																																																																	
<table border="1"> <thead> <tr> <th colspan="4">REVISION RECORD</th> <th>ANGLE</th> <th>±2°</th> <th>6 OVER 30 MAX.</th> <th>±0.3</th> <th>PROJECTION</th> <th>SERIES No.</th> <th rowspan="2">CUSTOMER COPY</th> </tr> <tr> <th>REV.</th> <th>ECN</th> <th>BY</th> <th>DATE</th> <th>APP.</th> <th>6 MAX.</th> <th>±0.2</th> <th>30 OVER 120 MAX.</th> <th>±0.5</th> <th>IH-200016</th> </tr> </thead> <tbody> <tr> <td>0</td> <td>ZM00919</td> <td>K.Fu</td> <td>2026/05/29</td> <td>-</td> <td colspan="4">GENERAL TOLERANCE.</td> <td rowspan="2">TITLE CABLINER[®]-SS 40P HARNESS</td> <td>SCALE 2:1</td> </tr> <tr> <td></td> <td></td> <td></td> <td></td> <td></td> <td>DWG.</td> <td colspan="2">DATE</td> <td></td> <td>UNIT mm</td> </tr> <tr> <td></td> <td></td> <td></td> <td></td> <td></td> <td>CHK.</td> <td colspan="2">R.Takei</td> <td></td> <td>SIZE A3</td> <td rowspan="2">SHEET 1/1</td> </tr> <tr> <td></td> <td></td> <td></td> <td></td> <td></td> <td>APP.</td> <td colspan="2">T.Masunaga</td> <td>DWG. No.</td> <td>83027</td> <td>REV. 0</td> </tr> </tbody> </table>					REVISION RECORD				ANGLE	±2°	6 OVER 30 MAX.	±0.3	PROJECTION	SERIES No.	CUSTOMER COPY	REV.	ECN	BY	DATE	APP.	6 MAX.	±0.2	30 OVER 120 MAX.	±0.5	IH-200016	0	ZM00919	K.Fu	2026/05/29	-	GENERAL TOLERANCE.				TITLE CABLINER [®] -SS 40P HARNESS	SCALE 2:1						DWG.	DATE			UNIT mm						CHK.	R.Takei			SIZE A3	SHEET 1/1						APP.	T.Masunaga		DWG. No.	83027	REV. 0
REVISION RECORD				ANGLE	±2°	6 OVER 30 MAX.	±0.3	PROJECTION	SERIES No.	CUSTOMER COPY																																																										
REV.	ECN	BY	DATE	APP.	6 MAX.	±0.2	30 OVER 120 MAX.	±0.5	IH-200016																																																											
0	ZM00919	K.Fu	2026/05/29	-	GENERAL TOLERANCE.				TITLE CABLINER [®] -SS 40P HARNESS	SCALE 2:1																																																										
					DWG.	DATE				UNIT mm																																																										
					CHK.	R.Takei			SIZE A3	SHEET 1/1																																																										
					APP.	T.Masunaga		DWG. No.	83027		REV. 0																																																									

Confidential C

I-PEX Inc.

QKE-DFE06-02 REV.12