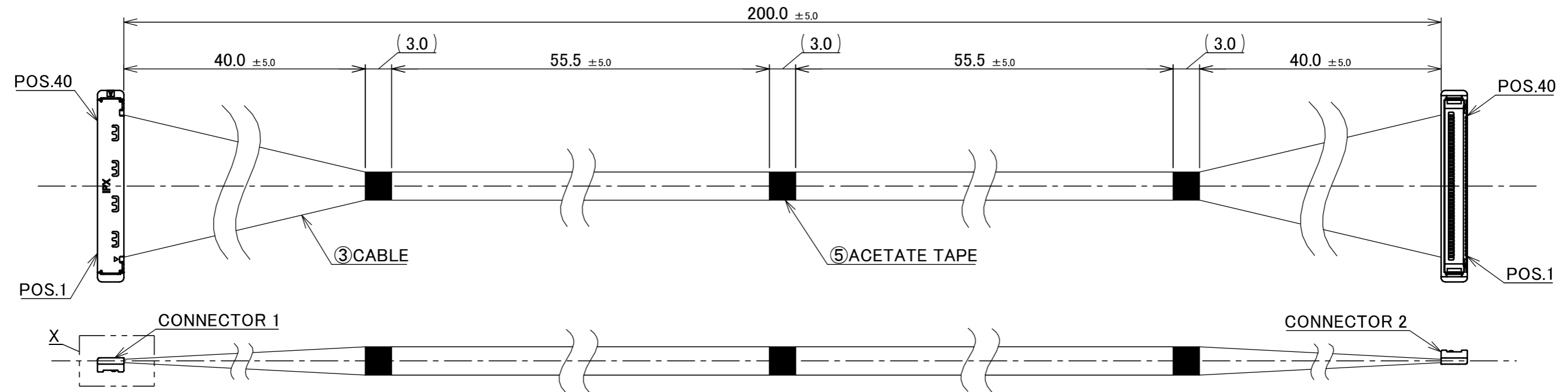


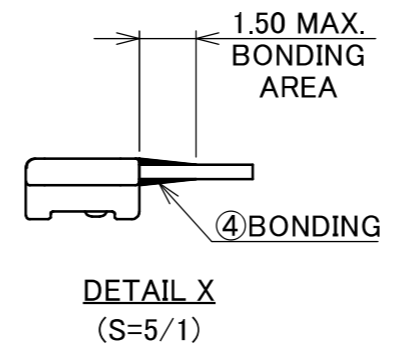
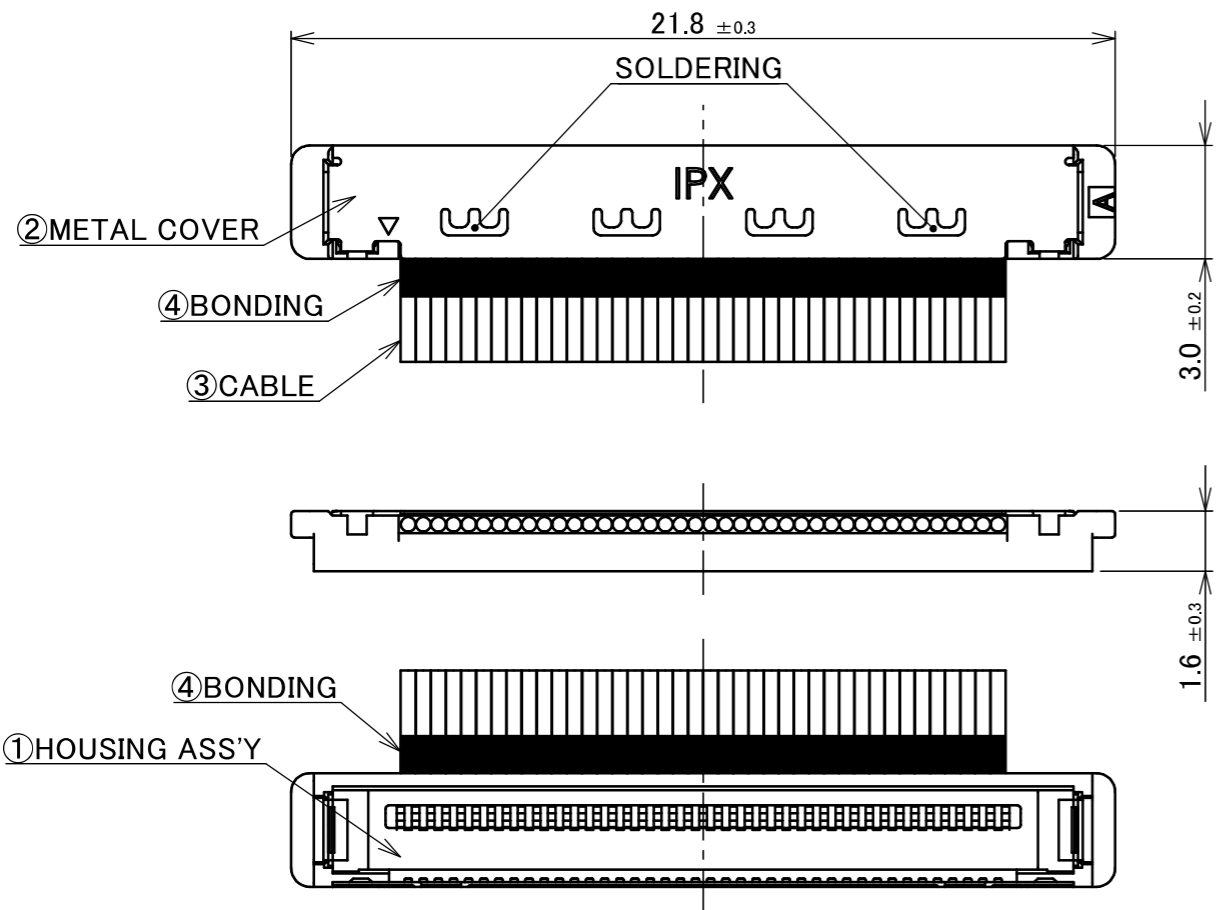
PART No.  
83026-100B-01-D



NOTE.

- TO HANDLE THIS CONNECTOR YOU MUST READ AND FOLLOW THE INSTRUCTION MANUAL BELOW. I-PEX INSTRUCTION MANUAL No.HIM-04001.
- ELECTRIC CHARACTERISTICS  
WITHSTANDVOLTAGE : AC 250V LEAKAGE CURRENT 2.0mA MAX.  
INSULATION RESISTANCE : 50MΩ MIN. DC 100V
- THE OPERATING TEMPERATURE OF THE HARNESS : 80°C MAX.
- RATING VOLTAGE : 30V

CONNECTOR 1&2  
(S=5/1)



PIN ASSIGNMENT		
CONNECTOR 1	CABLE	CONNECTOR 2
40	MICRO-COAXIAL CABLE AWG#40 50 OHM, BLUE	40
39	MICRO-COAXIAL CABLE AWG#40 50 OHM, BLUE	39
·	MICRO-COAXIAL CABLE AWG#40 50 OHM, BLUE	·
·	MICRO-COAXIAL CABLE AWG#40 50 OHM, BLUE	·
·	MICRO-COAXIAL CABLE AWG#40 50 OHM, BLUE	·
2	MICRO-COAXIAL CABLE AWG#40 50 OHM, BLUE	2
1	MICRO-COAXIAL CABLE AWG#40 50 OHM, BLUE	1

NO.	DESCRIPTION	PARTS NO.	QTY	REMARKS																																																			
5	ACETATE TAPE	-	3	BLACK																																																			
4	BONDING	-	-	UV GLUE																																																			
3	CABLE	-	40	MICRO-COAXIAL CABLE AWG #40, 50 OHM, BLUE																																																			
2	METAL COVER	2182-040-04	2	CONNECTOR 1&2 CABLIN <sup>®</sup> -SS PLUG P/N : 20380-R40T-16 CONNECTOR TO BE MATED : 20374-R40E-31																																																			
1	HOUSING ASS'Y	20373-R40T-06	2																																																				
<table border="1"> <thead> <tr> <th>NO.</th> <th>DESCRIPTION</th> <th>PARTS NO.</th> <th>QTY</th> <th>REMARKS</th> </tr> </thead> <tbody> <tr> <td></td> <td>ANGLE</td> <td>±2°</td> <td>6 OVER 30 MAX.</td> <td>±0.3</td> </tr> <tr> <td></td> <td></td> <td>6 MAX.</td> <td>±0.2</td> <td>30 OVER 120 MAX.</td> <td>±0.5</td> </tr> <tr> <td colspan="5">GENERAL TOLERANCE.</td> </tr> <tr> <td></td> <td>DWG.</td> <td colspan="2">K.Fukutomi</td> <td>DATE</td> <td>2026/05/29</td> </tr> <tr> <td></td> <td>CHK.</td> <td colspan="2">R.Takei</td> <td></td> <td></td> </tr> <tr> <td>0</td> <td>ZM00919</td> <td>K.Fu</td> <td>2026/05/29</td> <td>-</td> <td></td> </tr> <tr> <td>REV.</td> <td>ECN</td> <td>BY</td> <td>DATE</td> <td>APP.</td> <td></td> </tr> <tr> <td colspan="5">REVISION RECORD</td> <td>T.Masunaga</td> </tr> </tbody> </table>					NO.	DESCRIPTION	PARTS NO.	QTY	REMARKS		ANGLE	±2°	6 OVER 30 MAX.	±0.3			6 MAX.	±0.2	30 OVER 120 MAX.	±0.5	GENERAL TOLERANCE.						DWG.	K.Fukutomi		DATE	2026/05/29		CHK.	R.Takei				0	ZM00919	K.Fu	2026/05/29	-		REV.	ECN	BY	DATE	APP.		REVISION RECORD					T.Masunaga
NO.	DESCRIPTION	PARTS NO.	QTY	REMARKS																																																			
	ANGLE	±2°	6 OVER 30 MAX.	±0.3																																																			
		6 MAX.	±0.2	30 OVER 120 MAX.	±0.5																																																		
GENERAL TOLERANCE.																																																							
	DWG.	K.Fukutomi		DATE	2026/05/29																																																		
	CHK.	R.Takei																																																					
0	ZM00919	K.Fu	2026/05/29	-																																																			
REV.	ECN	BY	DATE	APP.																																																			
REVISION RECORD					T.Masunaga																																																		
		PROJECTION	SERIES No.	CUSTOMER COPY																																																			
			IH-200016																																																				
		TITLE		SCALE																																																			
		CABLIN <sup>®</sup> -SS 40P HARNESS		2:1																																																			
		DWG. No.		UNIT																																																			
		83026		mm																																																			
		SIZE	SHEET	REV.																																																			
		A3	1/1	0																																																			

Confidential C

I-PEX Inc.

QKE-DFE06-02 REV.12