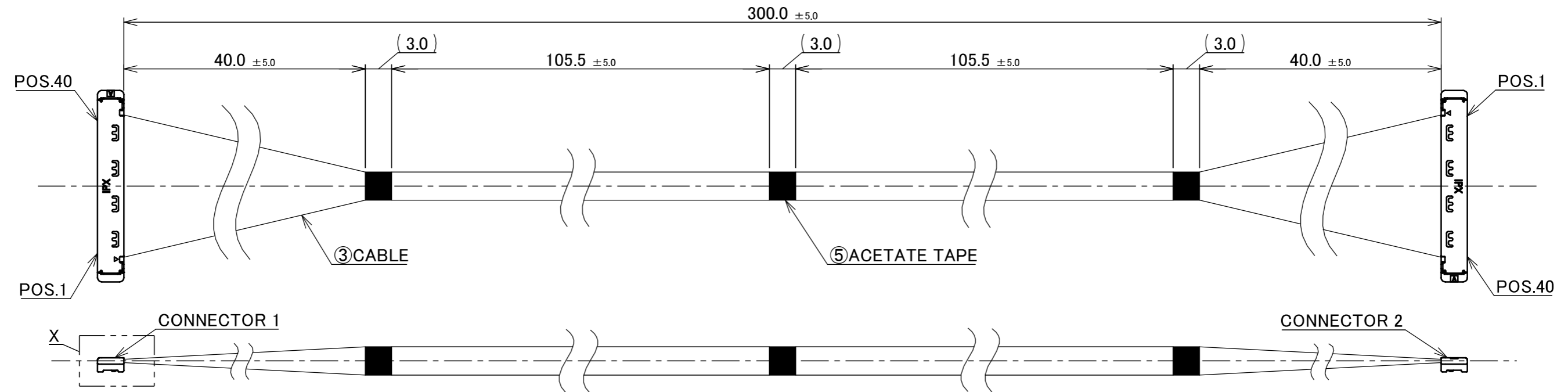


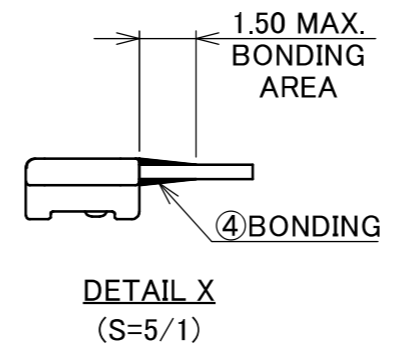
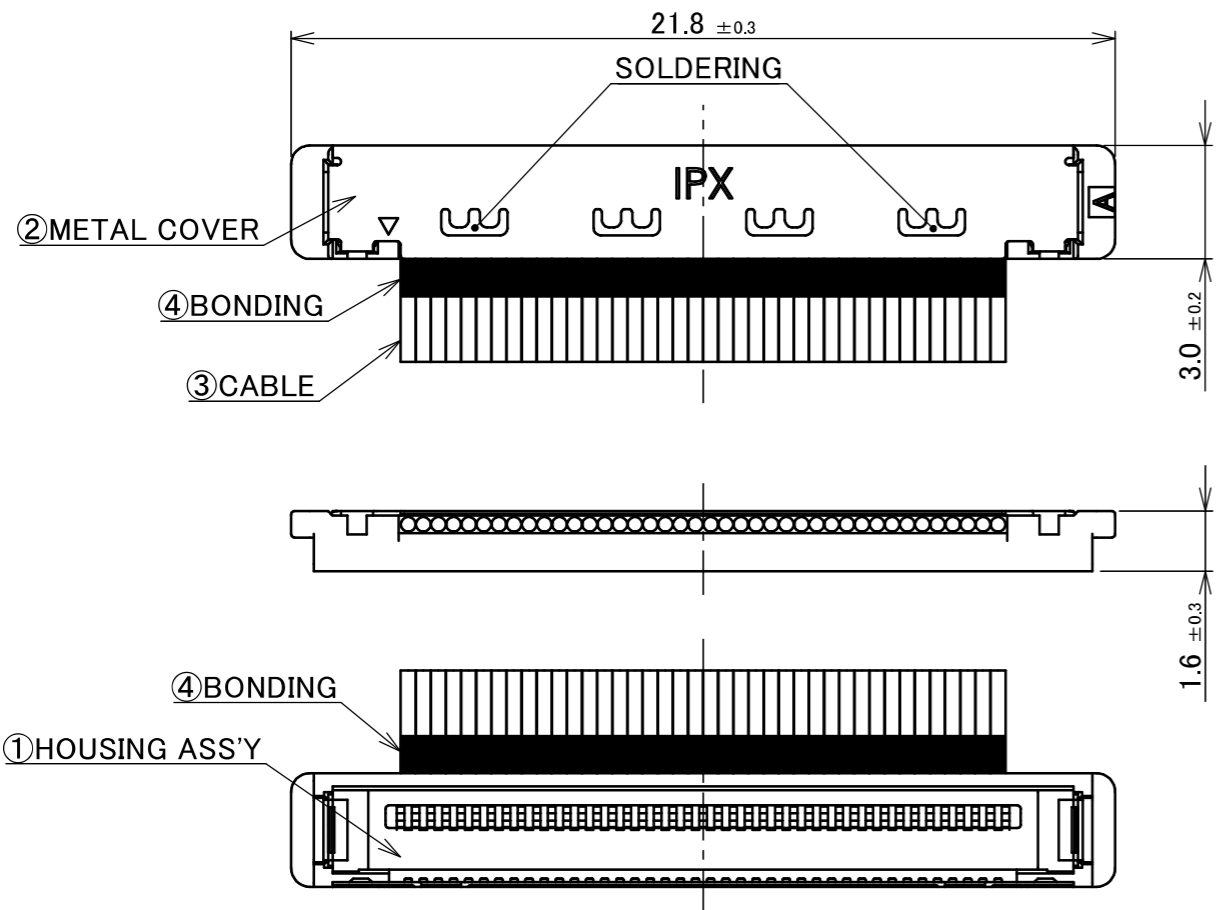
PART No.
82890-100B-02-D



NOTE.

- TO HANDLE THIS CONNECTOR YOU MUST READ AND FOLLOW THE INSTRUCTION MANUAL BELOW. I-PEX INSTRUCTION MANUAL No.HIM-04001.
- ELECTRIC CHARACTERISTICS
WITHSTANDVOLTAGE : AC 250V LEAKAGE CURRENT 2.0mA MAX.
INSULATION RESISTANCE : 50MΩ MIN. DC 100V
- THE OPERATING TEMPERATURE OF THE HARNESS : 80°C MAX.
- RATING VOLTAGE : 30V

CONNECTOR 1&2
(S=5/1)



| PIN ASSIGNMENT | | |
|----------------|---|-------------|
| CONNECTOR 1 | CABLE | CONNECTOR 2 |
| 40 | MICRO-COAXIAL CABLE AWG#40 50 OHM, BLUE | 1 |
| 39 | MICRO-COAXIAL CABLE AWG#40 50 OHM, BLUE | 2 |
| · | MICRO-COAXIAL CABLE AWG#40 50 OHM, BLUE | · |
| · | MICRO-COAXIAL CABLE AWG#40 50 OHM, BLUE | · |
| · | MICRO-COAXIAL CABLE AWG#40 50 OHM, BLUE | · |
| 2 | MICRO-COAXIAL CABLE AWG#40 50 OHM, BLUE | 39 |
| 1 | MICRO-COAXIAL CABLE AWG#40 50 OHM, BLUE | 40 |

| NO. | DESCRIPTION | PARTS NO. | QTY | REMARKS | | | | | | | | | | | | | | | | | | | | | | | | | | | | | | | | | | | | | | | | | | | | | | | | | |
|--|---------------|---------------|----------------|---|------|-------------|-----------|-----|---------|--|-------|-----|----------------|------|--|--|--------|------|------------------|------|--------------------|--|--|--|--|------|--|------|--|---|------|--|---------|--|------|--|------------|--|---|---------|------|------------|---|------|-----|----|------|------|-----------------|--|--|--|--|
| 5 | ACETATE TAPE | - | 3 | BLACK | | | | | | | | | | | | | | | | | | | | | | | | | | | | | | | | | | | | | | | | | | | | | | | | | |
| 4 | BONDING | - | - | UV GLUE | | | | | | | | | | | | | | | | | | | | | | | | | | | | | | | | | | | | | | | | | | | | | | | | | |
| 3 | CABLE | - | 40 | MICRO-COAXIAL CABLE AWG #40, 50 OHM, BLUE | | | | | | | | | | | | | | | | | | | | | | | | | | | | | | | | | | | | | | | | | | | | | | | | | |
| 2 | METAL COVER | 2182-040-04 | 2 | CONNECTOR 1&2 CABLIN [®] -SS PLUG P/N : 20380-R40T-16 CONNECTOR TO BE MATED : 20374-R40E-31 | | | | | | | | | | | | | | | | | | | | | | | | | | | | | | | | | | | | | | | | | | | | | | | | | |
| 1 | HOUSING ASS'Y | 20373-R40T-06 | 2 | | | | | | | | | | | | | | | | | | | | | | | | | | | | | | | | | | | | | | | | | | | | | | | | | | |
| <table border="1"> <thead> <tr> <th>NO.</th> <th>DESCRIPTION</th> <th>PARTS NO.</th> <th>QTY</th> <th>REMARKS</th> </tr> </thead> <tbody> <tr> <td></td> <td>ANGLE</td> <td>±2°</td> <td>6 OVER 30 MAX.</td> <td>±0.3</td> </tr> <tr> <td></td> <td></td> <td>6 MAX.</td> <td>±0.2</td> <td>30 OVER 120 MAX.</td> <td>±0.5</td> </tr> <tr> <td colspan="5">GENERAL TOLERANCE.</td> </tr> <tr> <td colspan="2">DWG.</td> <td colspan="2">DATE</td> <td rowspan="3">PROJECTION SERIES No. IH-200016 TITLE CABLIN[®]-SS 40P HARNESS SCALE 2:1 UNIT mm SIZE A3 SHEET 1/1 REV. 0</td> </tr> <tr> <td colspan="2">CHK.</td> <td colspan="2">R.Takei</td> </tr> <tr> <td colspan="2">APP.</td> <td colspan="2">T.Masunaga</td> </tr> <tr> <td>0</td> <td>ZM00758</td> <td>K.Fu</td> <td>2026/04/08</td> <td>-</td> </tr> <tr> <td>REV.</td> <td>ECN</td> <td>BY</td> <td>DATE</td> <td>APP.</td> </tr> <tr> <td colspan="5">REVISION RECORD</td> </tr> </tbody> </table> | | | | | NO. | DESCRIPTION | PARTS NO. | QTY | REMARKS | | ANGLE | ±2° | 6 OVER 30 MAX. | ±0.3 | | | 6 MAX. | ±0.2 | 30 OVER 120 MAX. | ±0.5 | GENERAL TOLERANCE. | | | | | DWG. | | DATE | | PROJECTION SERIES No. IH-200016 TITLE CABLIN [®] -SS 40P HARNESS SCALE 2:1 UNIT mm SIZE A3 SHEET 1/1 REV. 0 | CHK. | | R.Takei | | APP. | | T.Masunaga | | 0 | ZM00758 | K.Fu | 2026/04/08 | - | REV. | ECN | BY | DATE | APP. | REVISION RECORD | | | | |
| NO. | DESCRIPTION | PARTS NO. | QTY | REMARKS | | | | | | | | | | | | | | | | | | | | | | | | | | | | | | | | | | | | | | | | | | | | | | | | | |
| | ANGLE | ±2° | 6 OVER 30 MAX. | ±0.3 | | | | | | | | | | | | | | | | | | | | | | | | | | | | | | | | | | | | | | | | | | | | | | | | | |
| | | 6 MAX. | ±0.2 | 30 OVER 120 MAX. | ±0.5 | | | | | | | | | | | | | | | | | | | | | | | | | | | | | | | | | | | | | | | | | | | | | | | | |
| GENERAL TOLERANCE. | | | | | | | | | | | | | | | | | | | | | | | | | | | | | | | | | | | | | | | | | | | | | | | | | | | | | |
| DWG. | | DATE | | PROJECTION SERIES No. IH-200016 TITLE CABLIN [®] -SS 40P HARNESS SCALE 2:1 UNIT mm SIZE A3 SHEET 1/1 REV. 0 | | | | | | | | | | | | | | | | | | | | | | | | | | | | | | | | | | | | | | | | | | | | | | | | | |
| CHK. | | R.Takei | | | | | | | | | | | | | | | | | | | | | | | | | | | | | | | | | | | | | | | | | | | | | | | | | | | |
| APP. | | T.Masunaga | | | | | | | | | | | | | | | | | | | | | | | | | | | | | | | | | | | | | | | | | | | | | | | | | | | |
| 0 | ZM00758 | K.Fu | 2026/04/08 | - | | | | | | | | | | | | | | | | | | | | | | | | | | | | | | | | | | | | | | | | | | | | | | | | | |
| REV. | ECN | BY | DATE | APP. | | | | | | | | | | | | | | | | | | | | | | | | | | | | | | | | | | | | | | | | | | | | | | | | | |
| REVISION RECORD | | | | | | | | | | | | | | | | | | | | | | | | | | | | | | | | | | | | | | | | | | | | | | | | | | | | | |

Confidential C

I-PEX Inc.

QKE-DFE06-02 REV.12